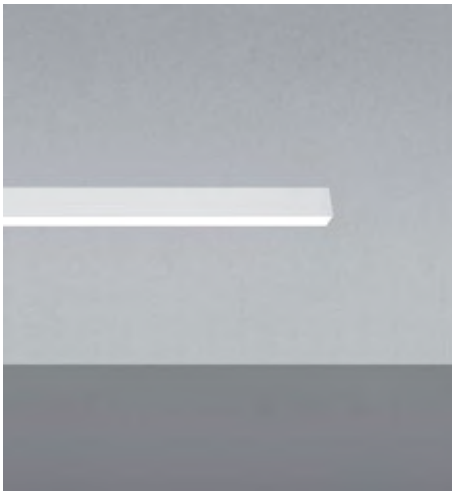


20 Linear Surface

Submittal - Pattern 3 Sided

Project Name _____ SO # _____

Fixture Type _____ PO# _____



Ordering Information

Model	Type	Length	LED ²	Color	Voltage	Power	Diffuser	Mount	Options
WG-SM20LDL	P								
WG-SM20LDL	P ¹	A x B x C	L M	827 830 835 840 927 930 935 940	UNV 120	S D010 D3W DES DFPN	OD SD	SC MM G9	C4 C10 C20 C30

Luminaire

- Continuous, evenly illuminated snap-in lens without visible LED pattern.
- Standard Opal Diffuser for even illumination, Satin Diffuser for high efficiency and minimal LED appearance.
- Field replaceable LED boards.
- 80+ CRI, 3 steps MacAdam.
- Lengths and angles factory cut to exact field dimensions.
- Standard and custom corners.
- Powder coat painted white - RAL 9010.
- 4' class 2 plenum rated feed cable standard.

Voltage

- UNV = 120 - 277V
- 120 = 120V (DFPN only)

Power Supply (remote)

- S = standard driver 120-277V
- D010 = Osram, 10%, 0-10V dimming, 120-277V
- D3W = Lutron, 1%, 3-wire fluorescent dimming, 120-277V
- DES = Lutron, 1%, EcoSystem E1/E2 digital dimming, 120-277V
- DFPN = Lutron 1% forward phase with neutral, 120V only

Diffuser

- OD = opal diffuser (standard)
- SD = satin diffuser

Mounting

- SC = surface mount, screw clip (standard)
- MM = magnetic mounting
- G9 = 9/16" Tbar grid clip

Options

- C10 = 10' tray cable (plenum rated)
- C20 = 20' tray cable (plenum rated)
- C30 = 30' tray cable (plenum rated)
- Contact factory for emergency lighting options

Type

- P = Standard patterns 2, 3 or 4 sided with 90° corners¹

Length

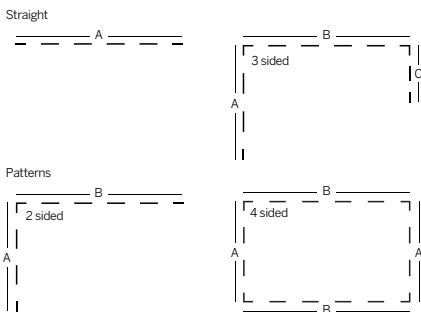
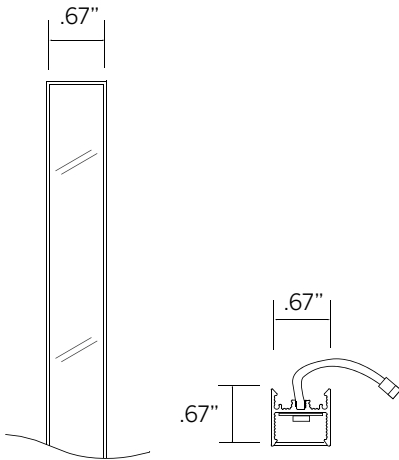
- A, B, C = specify feet & inches to the nearest 0.25" (i.e. 6' 5.5")

LED

- L = Low Power (3.2W/ft)
- M = Mid Power (6.4W/ft)

Color

- 80+ CRI minimum
- 827 = 2700K
- 830 = 3000K
- 835 = 3500K
- 840 = 4000K
- For 90+ CRI specify 927, 930, etc



Customer Approval

Company _____

Approved

Signature _____

Approved with corrections noted

Print Name _____

Revise and Resubmit

Date _____

Original Date Submitted _____

¹ See pattern specs sheet.

² Wattage shown does not include power supplies/drivers.

20 Linear Surface

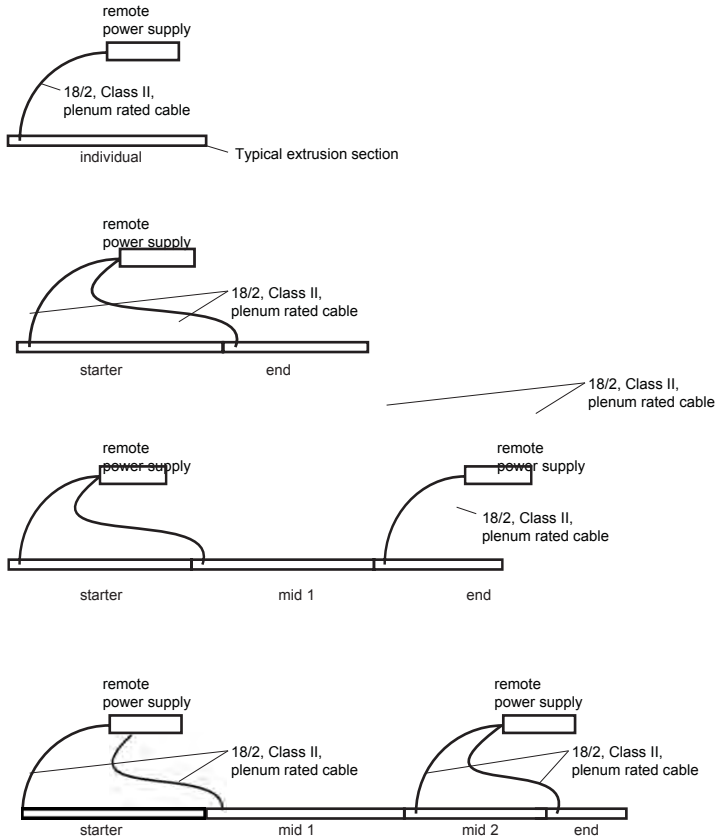
Submittal - Pattern 3 Sided

inter•lux

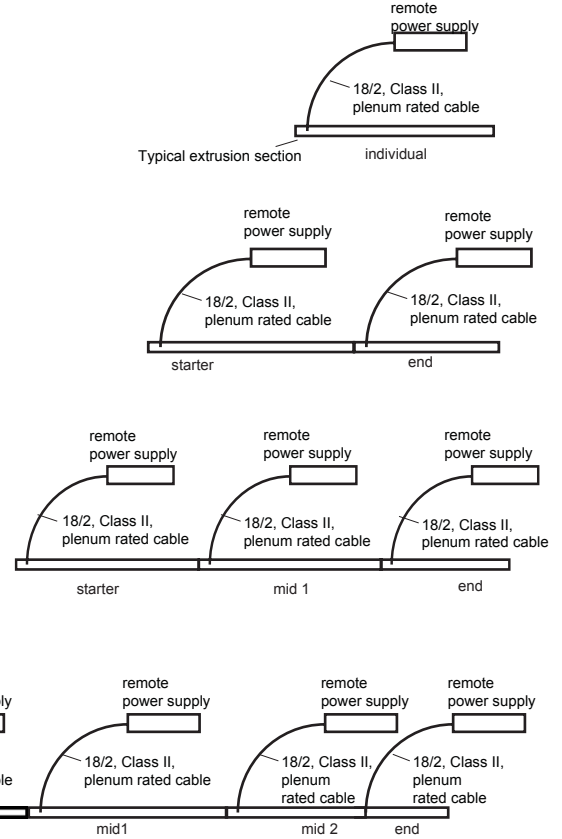
Project Name _____ SO # _____

Fixture Type _____ PO# _____

Typical Non-Dim or 0-10V Dimming System Layout



Typical Lutron Dimming System Layout



Non-Dimming and 0-10V Dimming Systems:

1. 96.25" maximum extrusion length.
2. 96W, 24V, constant voltage power supply (12ft max. length med. power, 24ft max. low power per driver)

Lutron Dimming Systems:

1. 72" maximum extrusion length at 6.4 W/ft, 96" maximum extrusion length at 3.2 W/ft.
2. 40W, 24V, constant voltage power supply (6ft max. length med. power, 12ft max. low power per driver)

General Notes for all system types:

1. Individual fixtures supplied with end cap at each end.
2. Starter and End extrusion section supplied with end cap at one end.
3. Starters and Mid 1 extrusion sections are supplied with maximum lengths for long linear systems.
4. End extrusion sections have custom tailored length between 23.8" - 96.25" to obtain the overall system length.
5. When an End is calculated to be less than 23.8", a Mid 2 extrusion added to the system to split the length into manageable sizes.
6. Class II, plenum rated cable supplied hardwired to extrusion section, 4 ft length standard. Longer lengths available (specify when ordering)

20 Linear Surface

Submittal - Pattern 3 Sided

Project Name _____ SO # _____

Fixture Type _____ PO# _____

System	Qty.	A	B	C
1	_____	_____	_____	_____
2	_____	_____	_____	_____
3	_____	_____	_____	_____
4	_____	_____	_____	_____
5	_____	_____	_____	_____

Customer Approval		Company _____
<input type="checkbox"/>	Approved	Signature _____
<input type="checkbox"/>	Approved with corrections noted	Print Name _____
<input type="checkbox"/>	Revise and Resubmit	Date _____

