

INSTALLATION INSTRUCTION RDD35/RDP35/RDW35 HOUSING

All dimensions are given according to the SI system of units (mm, kg, °C), additional dimensions that are written in brackets, are given according to the U.S. measurement system (in, lbs, °F).

GENERAL REMARKS ON SAFETY



- Read all of these instructions before installing fixtures.
- Keep all of the instructions for future reference.
- Turn off power before installing fixture.
- Installation is to be performed by a qualified electrician only.
- All installations are to conform to the standards of the National Electrical Code as well as all local jurisdictional codes and regulations.
- Any modification of the luminaire will void any and all written or implied warranties.
- Do not open the fixture -this will void the IP rating.
- The manufacturer accepts no responsibility for damage to persons or property arising through improper use or installation.

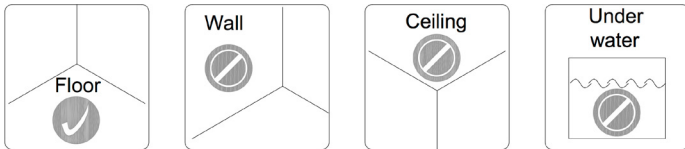
WARRANTY



- All products are factory tested and are guaranteed free from factory defect for a period of 3 years under following terms:
- Product has not been subject to incorrect voltage or polarity connection.
 - Product has not been subject to physical or atmospheric damage.
 - Product has been returned and factory evaluated for defect or malfunction.
 - All drivers and controllers are approved for use by FILIX.
 - The luminaire factory seal (IP rating) has not been compromised

The manufacturer accepts no responsibility for damage to persons or property arising through improper use or installation.

POSSIBLE INSTALLATION POSITIONS



*The surface temperature of the fixture is $\approx 40^{\circ}\text{C}$ (104°F) and imposes no limits on installation



*It has been designed and tested to stand a static load up to 500kg (1100 lb)



When installing luminaire outer housing must be used.

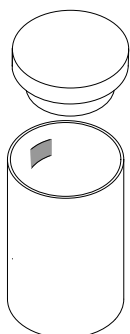


This product must be installed in accordance with the applicable installation code by a person familiar with the construction and operation of the product and the hazards involved.

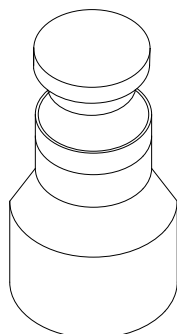


u t u m t t s t t m s t t t m m

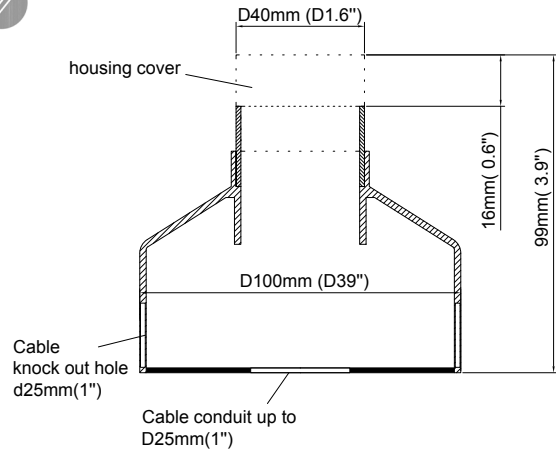
TILES HOUSING



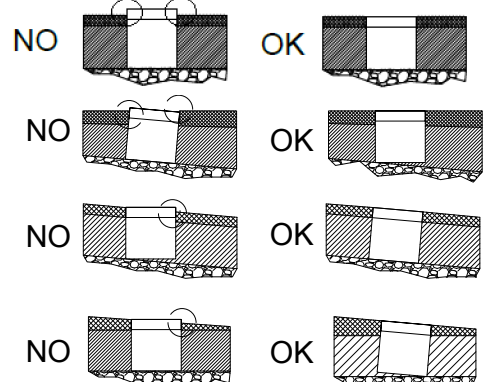
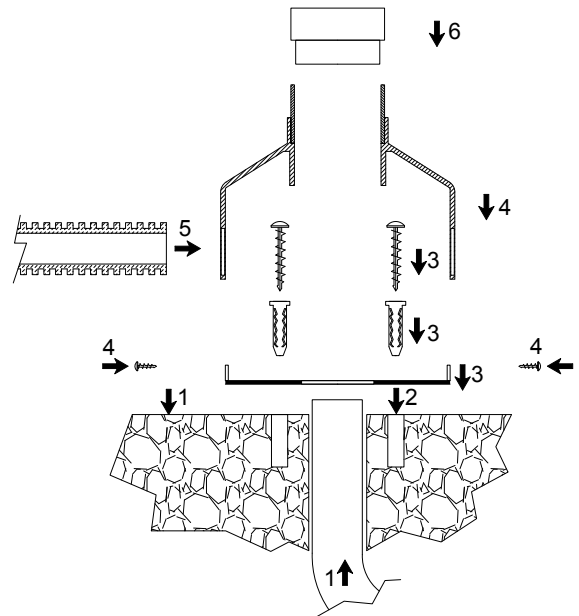
CONCRETE HOUSING



CONCRETE HOUSING



1. Prepare proper drainage or drainage pipe at installing position.
2. Using bottom housing sheet as template drill holes for anchor 6mm (15/64") screws .
3. Fix bottom housing sheet on to surface with anchor and screws .
4. Fix housing on to bottom sheet
5. Insert cable pipe with supply cable inside housing
6. Place safety cover on top .
7. Pour concrete around the housing.

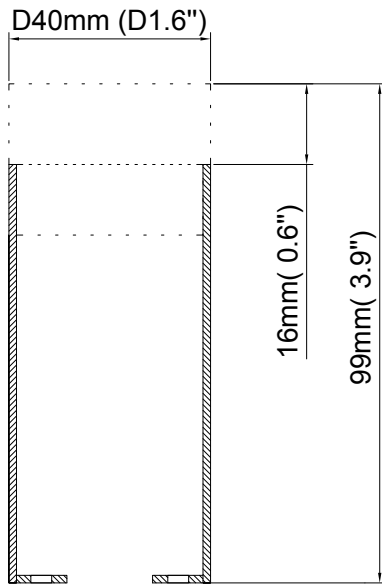


LEGEND

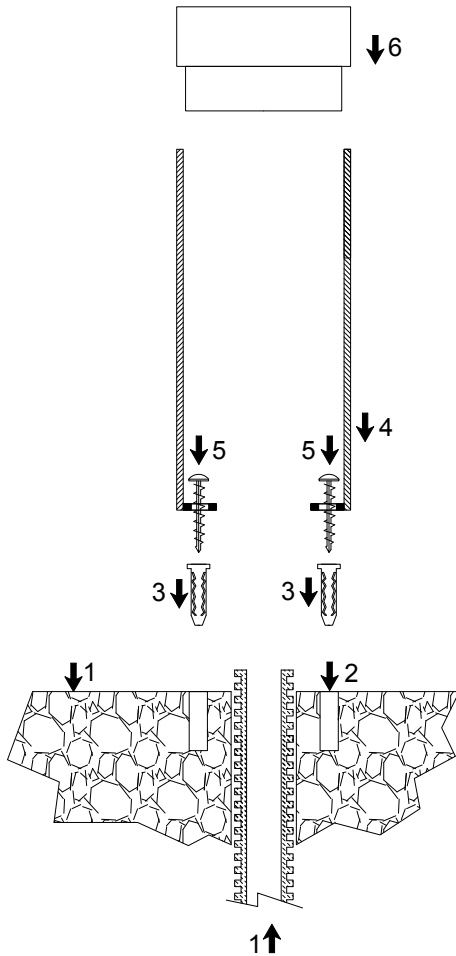
- Attention Info
- Electrical Info
- Humidity Info
- Luminaries
- Outer housings
- Confirmation Mark
- Ingress protection
- Temperature range
- Underwater fixture
- Pressure range
- Impact resistance range
- Pictures/ drawings
- Power supply type
- Docs / certifications
- Mechanical
- Safety
- Exclusion
- Material Type



TILES HOUSING

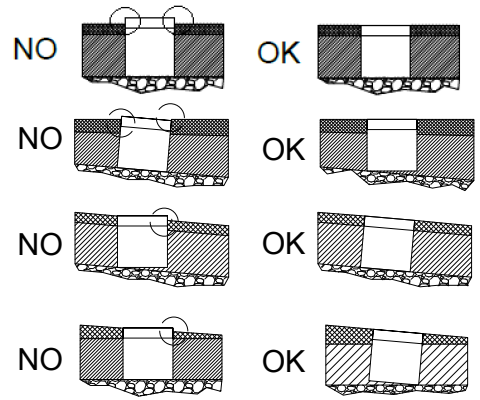


1. Prepare proper drainage and cable pipe with cable at installing position.
2. Using housing as template drill holes for anchor 6mm(15/64'') screws .
3. Insert anchors
4. Place housing on to surface .
5. Fix housing on to bottom sheet with screws
6. Place safety cover on top .
7. Pour concrete or install tiles around the housing



FILIX

inter•lux



LEGEND

	Attention Info		Confirmation Mark		Impact resistance range		Safety
	Electrical Info		Ingress protection		Pictures/drawings		Exclusion
	Humidity Info		Temperature range		Power supply type		Material Type
	Luminaries		Underwater fixture		Docs / certifications		
	Outer housings		Pressure range		Mechanical		