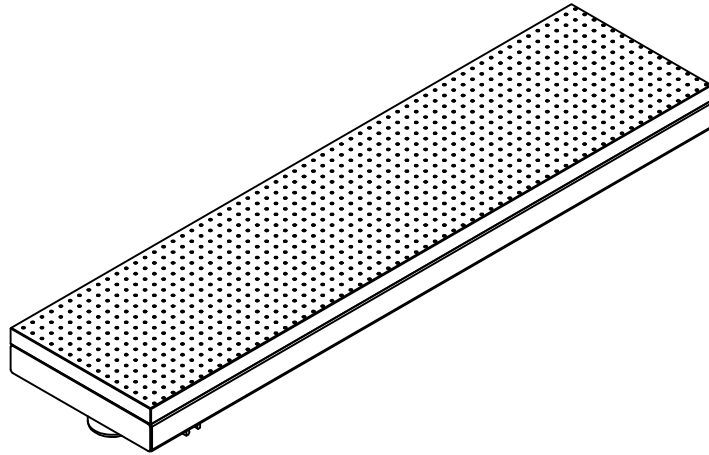


RCP 600

Installation instructions (FIXTURE)



All dimensions are given according to the SI system of units (mm, kg, °C), additional dimensions that are written in brackets, are given according to the U.S. measurement system (in, lbs, °F)

GENERAL REMARKS ON SAFETY

- READ ALL OF THESE INSTRUCTIONS BEFORE INSTALLING FIXTURES.
- KEEP ALL OF THE INSTRUCTIONS FOR FUTURE REFERENCE.
- TURN OFF POWER BEFORE INSTALLING FIXTURE.
- INSTALLATION IS TO BE PERFORMED BY A QUALIFIED ELECTRICIAN ONLY.
- ALL INSTALLATIONS ARE TO CONFORM TO THE STANDARDS OF THE NATIONAL ELECTRICAL CODE AS WELL AS ALL LOCAL JURISDICTIONAL CODES AND REGULATIONS.
- ANY MODIFICATION OF THE LUMINAIRE WILL VOID ANY AND ALL WRITTEN OR IMPLIED WARRANTIES.
- DO NOT OPEN THE FIXTURE - THIS WILL VOID THE IP RATING.
- THE MANUFACTURER ACCEPTS NO RESPONSIBILITY FOR DAMAGE TO PERSONS OR PROPERTY ARISING THROUGH IMPROPER USE OR INSTALLATION.

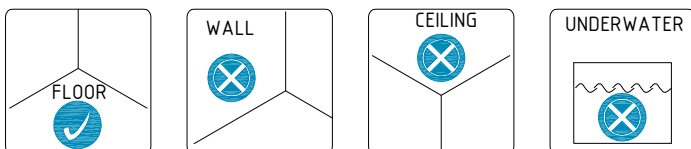
WARRANTY

ALL PRODUCTS ARE FACTORY TESTED AND ARE GUARANTEED FREE FROM FACTORY DEFECT FOR A PERIOD OF 3 YEARS UNDER FOLLOWING TERMS:

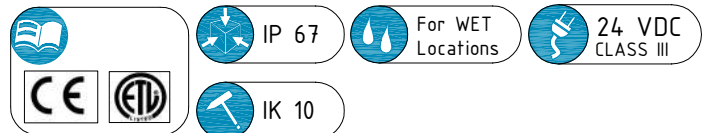
- PRODUCT HAS NOT BEEN SUBJECT TO INCORRECT VOLTAGE OR POLARITY CONNECTION.
- PRODUCT HAS NOT BEEN SUBJECT TO PHYSICAL OR ATMOSPHERIC DAMAGE.
- PRODUCT HAS BEEN RETURNED AND FACTORY EVALUATED FOR DEFECT OR MALFUNCTION.
- ALL DRIVERS AND CONTROLLERS ARE APPROVED FOR USE BY FILIX.
- THE LUMINAIRE FACTORY SEAL (IP RATING) HAS NOT BEEN COMPROMISED

THE MANUFACTURER ACCEPTS NO RESPONSIBILITY FOR DAMAGE TO PERSONS OR PROPERTY ARISING THROUGH IMPROPER USE OR INSTALLATION.

POSSIBLE INSTALLATION POSITIONS

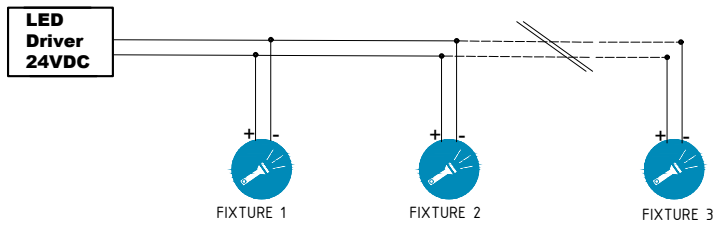


MAIN FEATURES

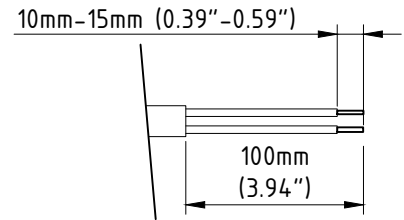


- THE SURFACE TEMPERATURE OF THE FIXTURE IS $\approx 40^{\circ}\text{C}$ (104°F) AND IMPOSES NO LIMITS ON INSTALLATION
- CALCULATE THE MAXIMUM POWER CONSUMPTION AND USE APPROPRIATELY SIZED DRIVERS/CONTROLLERS
- PRODUCT MUST BE INSTALLED IN ACCORDANCE WITH THE APPLICABLE INSTALLATION CODE BY A PERSON FAMILIAR WITH THE CONSTRUCTION AND OPERATION OF THE PRODUCT AND THE HAZARDS INVOLVED

WIRING



POWER SUPPLY CABLE



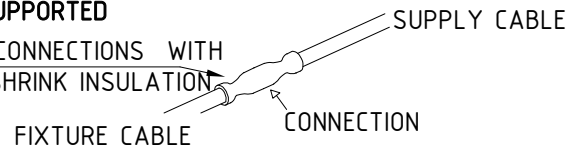
WIRE MARKINGS

SINGLE LED COLOR

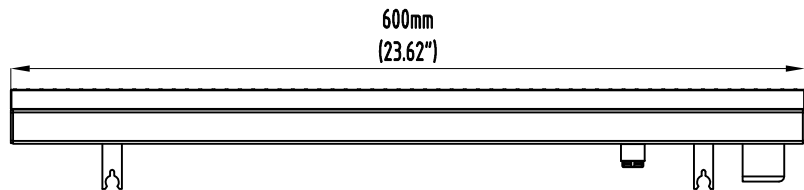
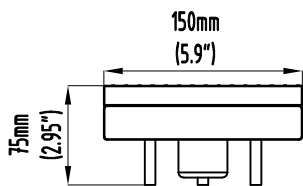
- BLACK (+24 VDC)
- WHITE (-24 VDC)

IF CONNECTOR IS NOT SUPPORTED

INSULATE ELECTRICAL CONNECTIONS WITH
ELECTRICAL THERMO SHRINK INSULATION



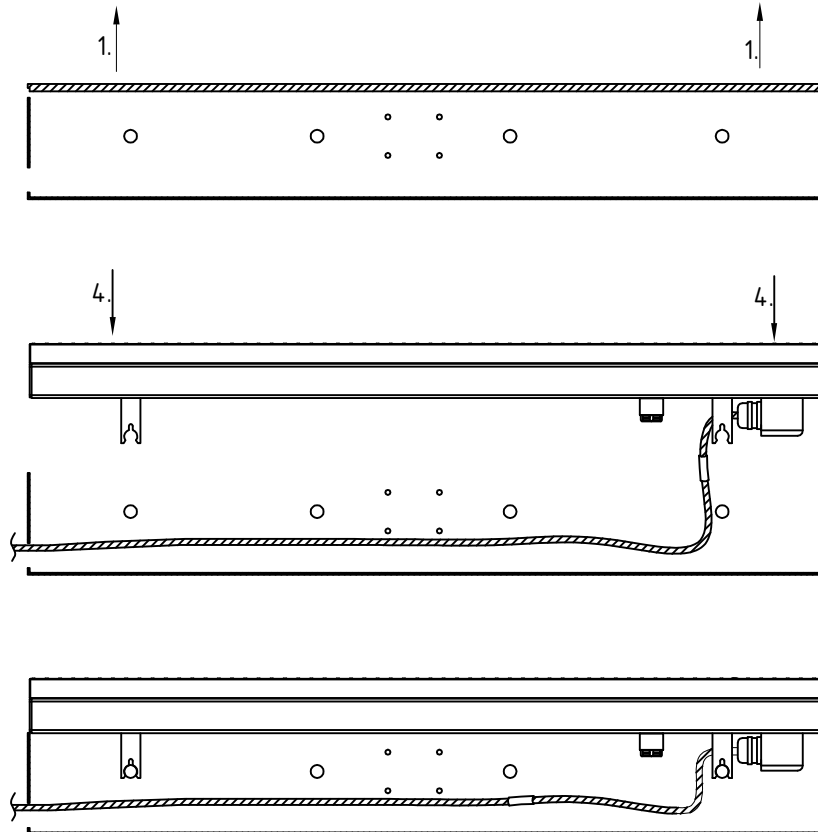
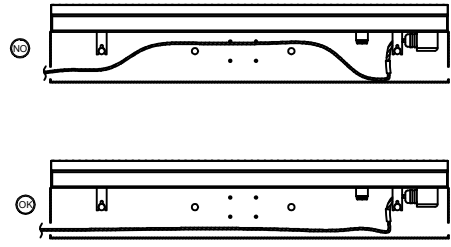
FIXTURE DIMENSIONS



INSTALLATION GUIDE

1. REMOVE INSTALLATION HOUSING COVER
2. CONNECT SUPPLY CABLE AND FIXTURE CABLE AS SHOWN IN DETAIL A
3. PAY ATTENTION THAT CABLE IS PLACED BELOW THE FIXTURE HOLDER
4. PLACE THE FIXTURE IN THE HOUSING

DETAIL A



IF FIXTURE NEEDS TO BE REMOVED FROM HOUSING
USE APPROPRIATE SUCTION CUPS TO PULL OUT
THE FIXTURE (SUCTION CUPS NOT PROVIDED, MUST
BE ORDERED SEPARATELY)

