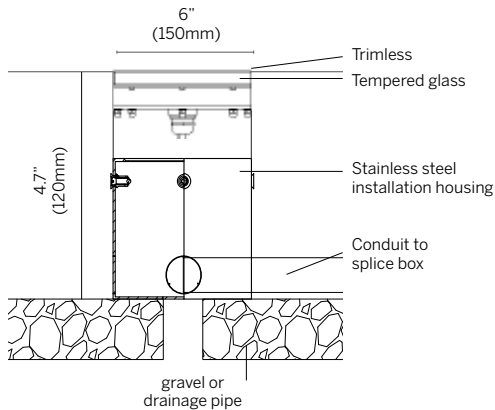


RC600 Paver Specifications



Ordering Information¹

Model	Power	Color	Optics	Voltage	Options	Housing
F RCP600	H		LL	24		RC600C
F RCP600	H	27 30 35 40	LL	24	C1 C2 C3	RC600C

¹Specify remote power supply separately below.

Luminaire

- Trimless for seamless integration into grade
- Sustainable design, replaceable LED module
- Snap in installation with no exposed hardware
- IP67, UL STD 1598, wet location, walkover rated 1000 lb
- Stainless steel 304 construction, direct concrete pour housing, with diffused tempered glass 5/8" thick
- Anti-slip surface
- 3.3' (1m) feed cable standard

Size

- 6" x 24 (150mm x 600mm) x 4.7" H (120mm)

Power

- H = 11W, 3000K, 700 lm

Color Temperature

- 27 = 2700K
- 30 = 3000K
- 35 = 3500K
- 40 = 4000K
- 2 Step MacAdam
- CRI: > 85

Optics

- LL = even illumination

Voltage

- 24 = 24VDC fixture voltage

Options

- C1 = 10' (3m) feed cable
- C2 = 20' (6m) feed cable
- C3 = 30' (9m) feed cable

Housing

- RC600C

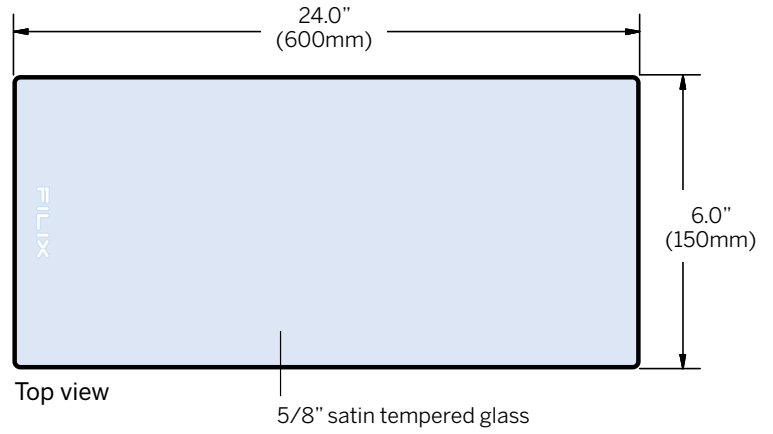
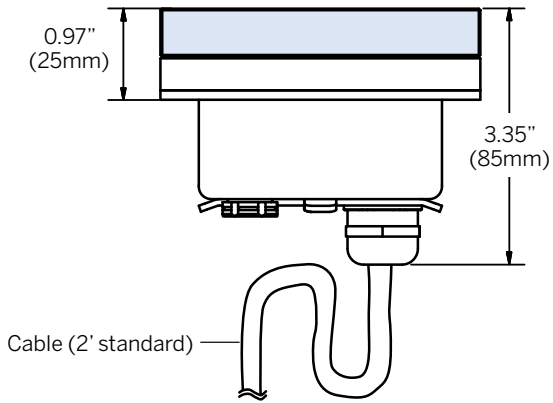
Power Supply² (Remote)

- D-520-24006: Osram 10% 0-10V dimming, 96W, 24VDC, 120-277VAC

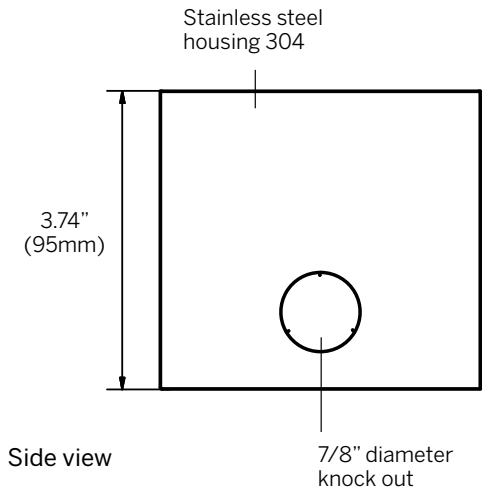
²See power supply pages for details. No enclosure, unless stated. lm80 values shown.

RC600 Paver Dimensions

Fixture



Housing



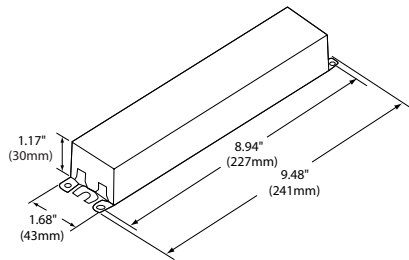
Single Color Drivers

Qty.	Part Number	Description	Case	Nominal Input Voltage (V)	Nominal Input Current (A)	Power Factor	Output Power Range (W)	Dimming Mode	Dimming Control	Dimming Range	Location Rating
	D-520-24006	Osram 0-10V dim	1	120 277	0.97 0.39	0.9	1-96	PWM	0-10V	10 -100%	Damp

Although it is possible to exceed the remote mounting distance, the installer and/or end user must take precautions to prevent and/or test the effects of EMI (electromagnetic interference). Maximum recommended load is 80% of driver rating.

Case dimensions

Case 1 (no enclosure)



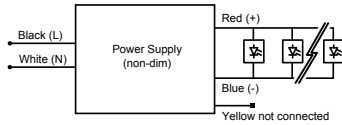
Maximum wiring distance*

Wire gauge	Load per driver	
	Osram	
	≤48W	≤72W
#18AWG	37'	25'
#16AWG	59'	39'
#14AWG	95'	63'
#12AWG	151'	101'
#10AWG	241'	160'

*Voltage drop guide for 24VDC. Actual Voltage drop to be calculated by installer

Wiring diagrams

96W Non-Dim



96W Dim

