

P100LDL LED

Installation Instructions P100LDL

inter•lux

Fixture Installation

Read all of these instructions before installing fixtures.

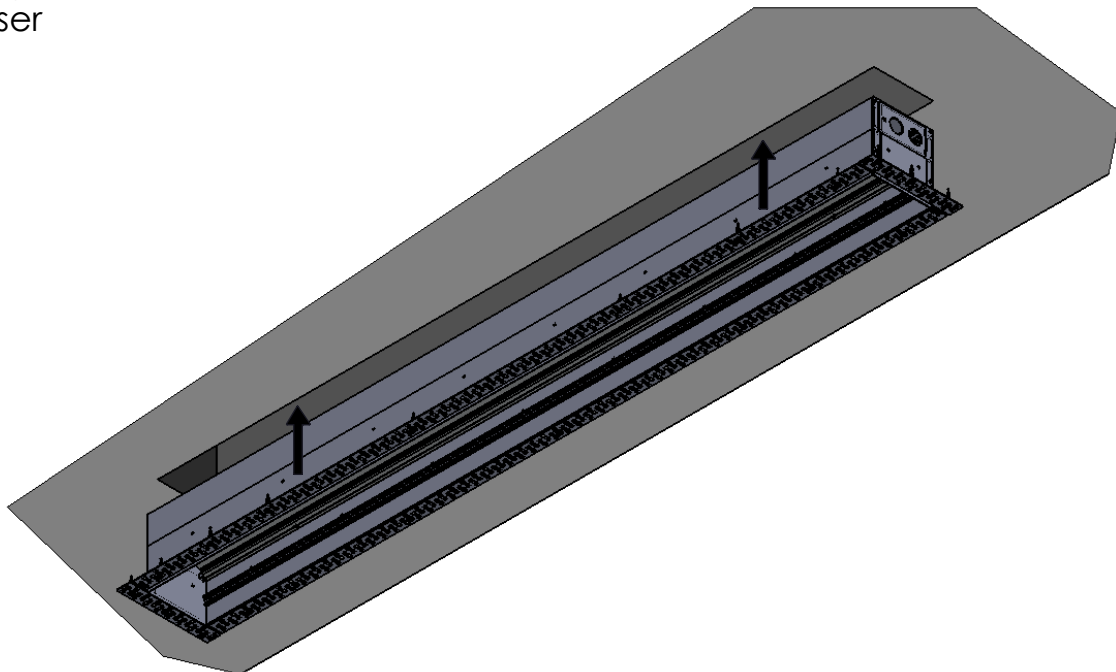
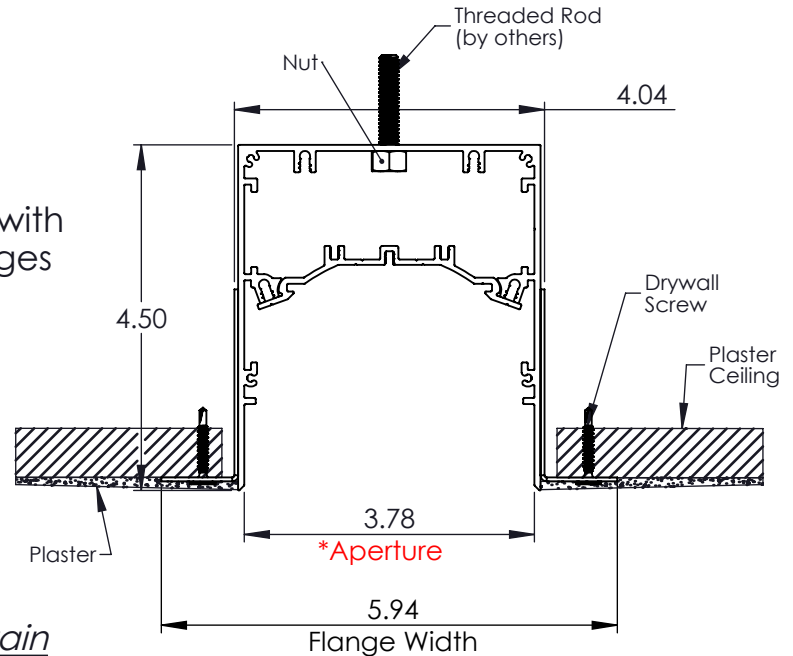
- Keep all of the instructions for future reference. - Turn off power before installing fixture. - Installation is to be performed by a qualified electrician only. - All installations are to conform to the standards of the National Electrical Code as well as all local jurisdictional codes and regulations. - Any modification of the luminaire will void any and all written or implied warranties. - Do not open the luminaire. - this will void the IP rating. - The manufacturer accepts no responsibility for damage to persons or property arising through improper use or installation.

THIS PRODUCT MUST BE INSTALLED IN ACCORDANCE WITH THE APPLICABLE INSTALLATION CODE BY A PERSON FAMILIAR WITH THE CONSTRUCTION AND OPERATION OF THE PRODUCT AND THE HAZARDS INVOLVED

Installation

- Turn Power Off Before Installing.

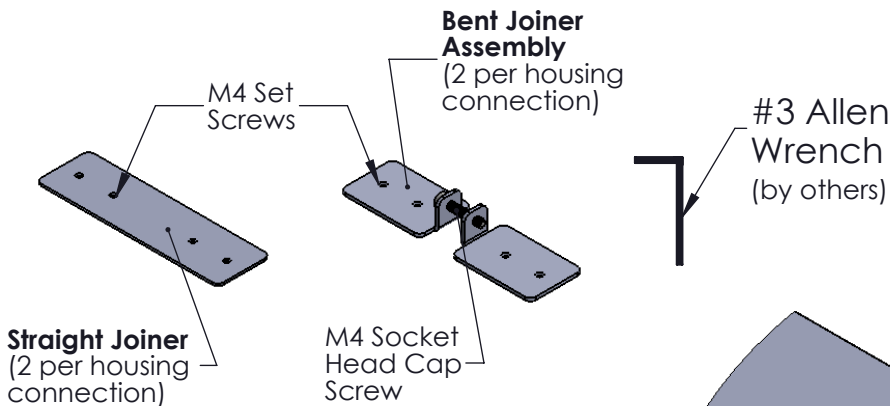
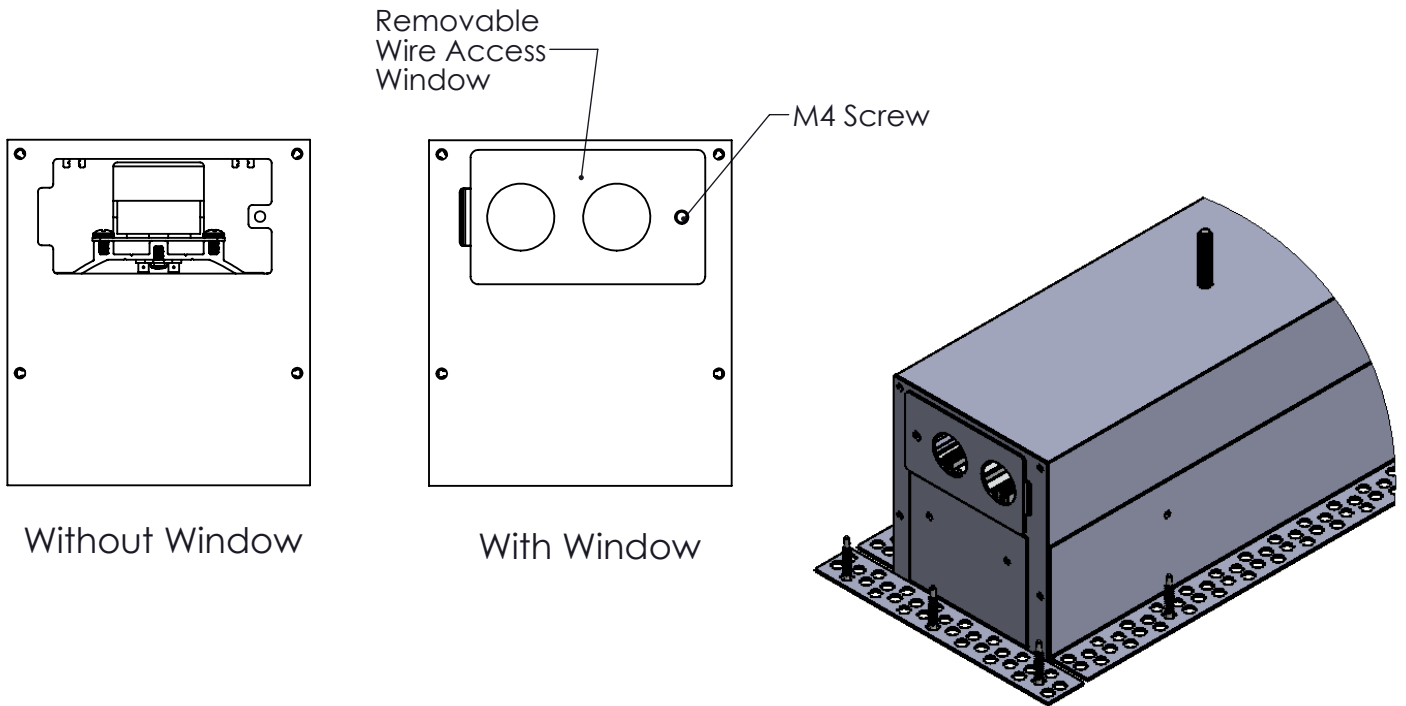
- Remove gear tray from housing.
- Feed power and wire cables into housing through wire access window on end cap.
- Mount housing into the ceiling and secure with threaded rod (by others) so that plaster flanges are pressed up against ceiling.
- If multiple housings see Pg 2 for joiner steps and complete for all housings in a single run before proceeding.
- Make up power and wire connections to driver and mount gear tray into housing so that it butts up against the end cap without power feed opening.
- Install drywall screws into plaster flanges on housing and end caps making sure to *maintain aperture width (*critical dimension, 3.78")* along entire fixture.
- Apply plaster smoothly over plaster flanges creating seamless edge
- Install diffuser
- Energize



P100 LED

Installation Instructions P100LDL

Fixture Installation



*Recommended Joiner Installation

(Joiners are pre-installed in one housing/Bent Joiners are pre-assembled as shown).

- Place both housings in ceiling end to end and slide joiners across housing seam so they are joining both housings.
 - Tighten the set screws of the Bent Joiners.
 - Tighten the M4 cap screw on the bent joiners, pulling the housings together.
 - Tighten the set screws of the Straight Joiners.
- (all joiner screws use a #3 Allen Wrench)

