



WARNING:

INSTALL PRODUCT IN ACCORDANCE WITH LOCAL AND NATIONAL ELECTRICAL CODES; BY A QUALIFIED ELECTRICIAN.



WARNING:

FAILURE TO COMPLY WITH THE INSTALLATION INSTRUCTIONS MAY RESULT IN DEATH OR SERIOUS INJURY.



WARNING:

READ ALL SAFETY INSTRUCTIONS INCLUDED WITH LUMINAIRE BEFORE INSTALLING LUMINAIRE.

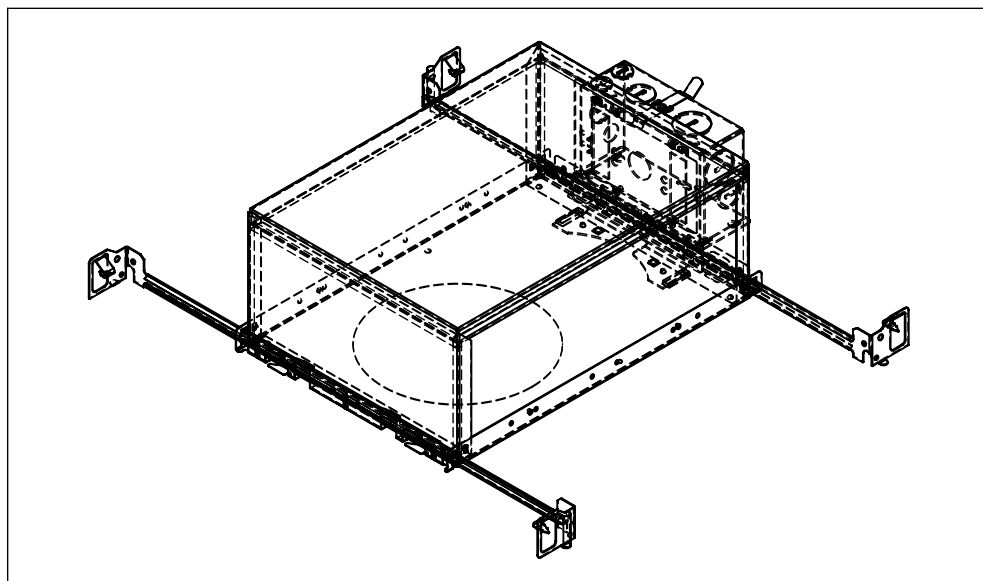
CAUTION:

THIS IS AN ELECTRONIC DEVICE. CARE MUST BE TAKEN DURING STORAGE AND HANDLING. STORE IN A CLEAN, COOL AND DRY LOCATION. ELECTROSTATIC DISCHARGE (ESD) CAN HARM THIS PRODUCT. AVOID STATIC DISCHARGE WHILE HANDLING THIS PRODUCT.

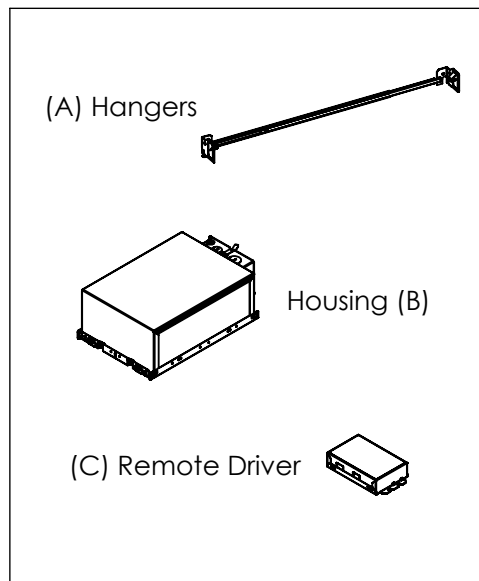
CAUTION:

INTER-LUX IS NOT RESPONSIBLE FOR THE STRUCTURAL INTEGRITY OF THE BUILDING TO SUPPORT THE LUMINAIRE. ADDITIONAL BACKING MAY BE REQUIRED.

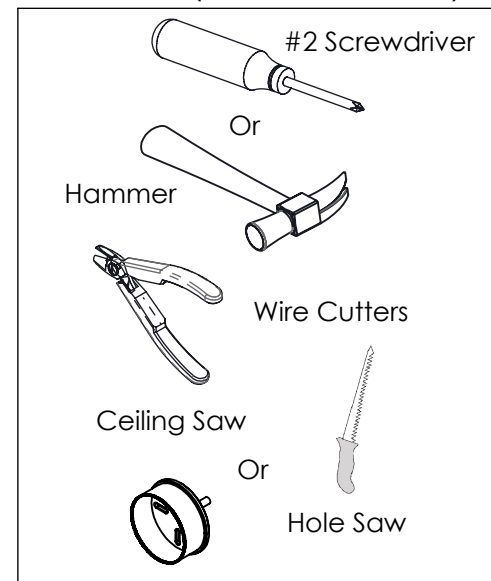
ISOMETRIC VIEWS



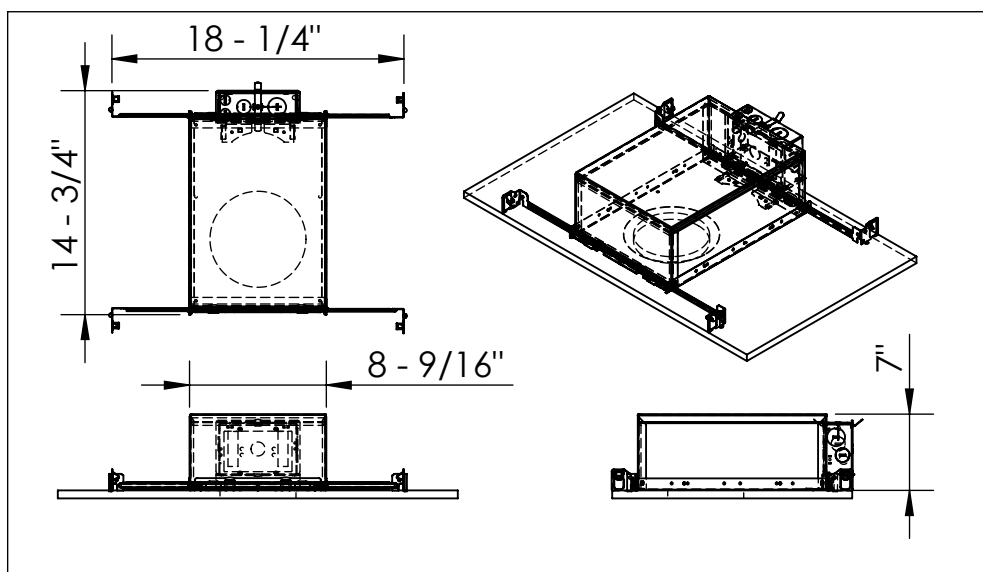
PACKAGE INCLUDES:



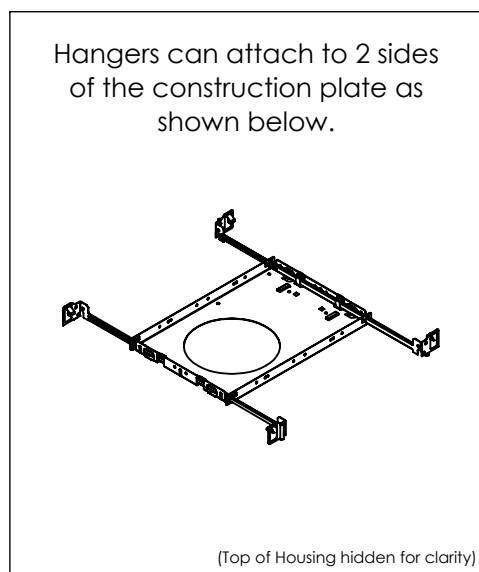
ITEMS NEEDED (SUPPLIED BY OTHERS):



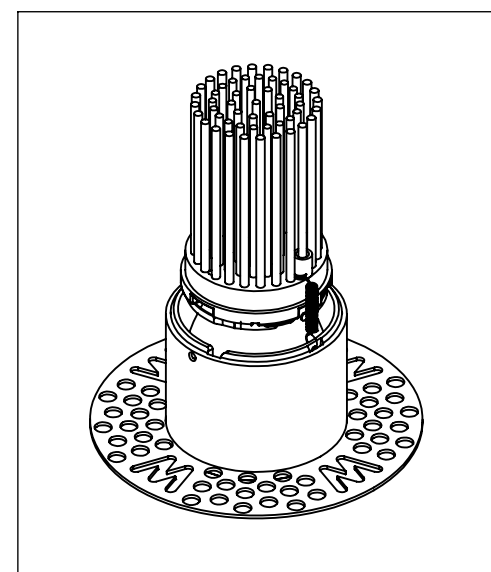
MOUNTING DIMENSIONS



MOUNTING POSITIONS

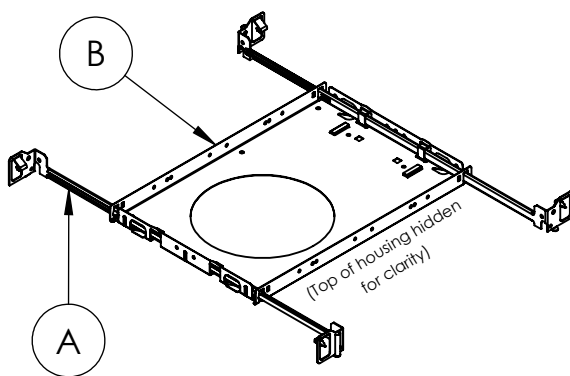


PRODUCT

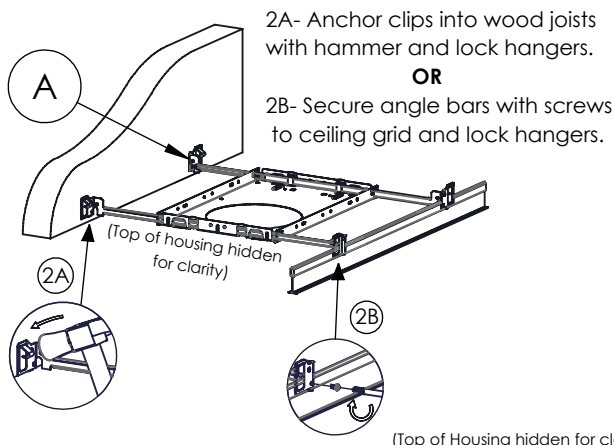


SURFACE MOUNT INSTALLATION STEPS

Step 1: Attach the Hangers (A) to the CP/IC Housing (B).

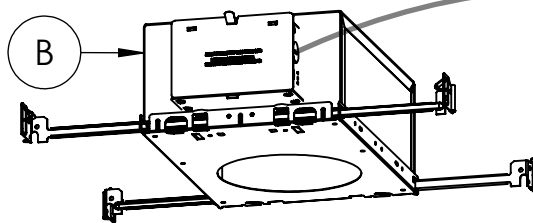


Step 2: Determine mounting position, adjust width of Hangers (A) until flush with surface.

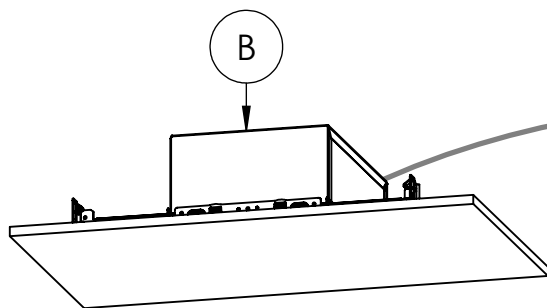


TURN OFF MAIN POWER BEFORE PROCEEDING!

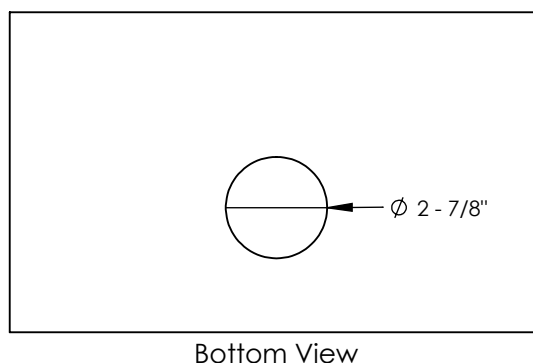
Step 3: Install your Remote Driver (C) and pull DC Power through the knockout into the Housing (B).



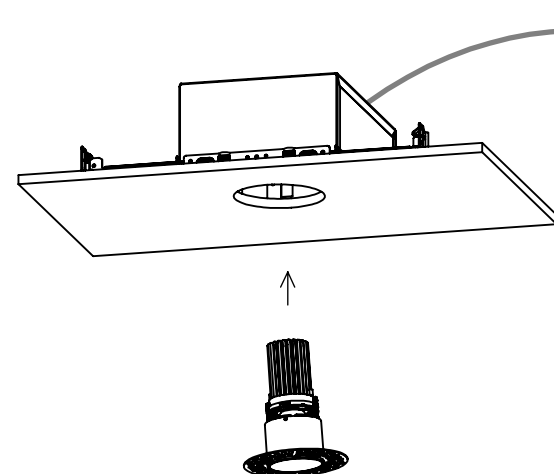
Step 4: Install the ceiling. Make sure that the Housing (B) is flat on top of the ceiling.



Step 5: Cut ceiling hole that matches the position and dimensions of the Construction Plate (B) hole.

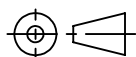


Step 6: Install product (refer to Product Installation Instructions on back).



DIMENSIONS ARE IN INCHES
TOLERANCES:
FRACTIONAL
ANGULAR: MACH ± 0.5 BEND ± 1.0
ONE PLACE DECIMAL ± 0.05
TWO PLACE DECIMAL ± 0.01
THREE PLACE DECIMAL ± 0.005

3RD ANGLE PROJECTION





WARNING:

INSTALL PRODUCT IN ACCORDANCE WITH LOCAL AND NATIONAL ELECTRICAL CODES; BY A QUALIFIED ELECTRICIAN.



WARNING:

FAILURE TO COMPLY WITH THE INSTALLATION INSTRUCTIONS MAY RESULT IN DEATH OR SERIOUS INJURY.



WARNING:

READ ALL SAFETY INSTRUCTIONS INCLUDED WITH LUMINAIRE BEFORE INSTALLING LUMINAIRE.

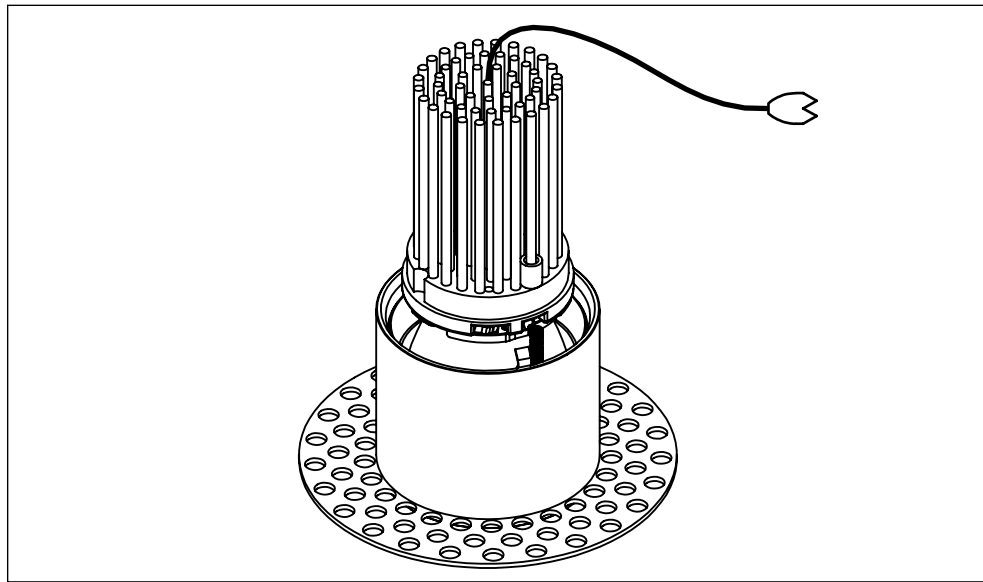
CAUTION:

THIS IS AN ELECTRONIC DEVICE. CARE MUST BE TAKEN DURING STORAGE AND HANDLING. STORE IN A CLEAN, COOL AND DRY LOCATION. ELECTROSTATIC DISCHARGE (ESD) CAN HARM THIS PRODUCT. AVOID STATIC DISCHARGE WHILE HANDLING THIS PRODUCT.

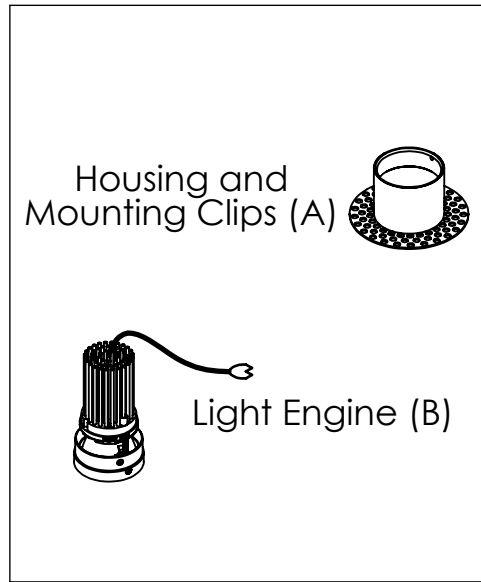
CAUTION:

INTER-LUX IS NOT RESPONSIBLE FOR THE STRUCTURAL INTEGRITY OF THE BUILDING TO SUPPORT THE LUMINAIRE. ADDITIONAL BACKING MAY BE REQUIRED.

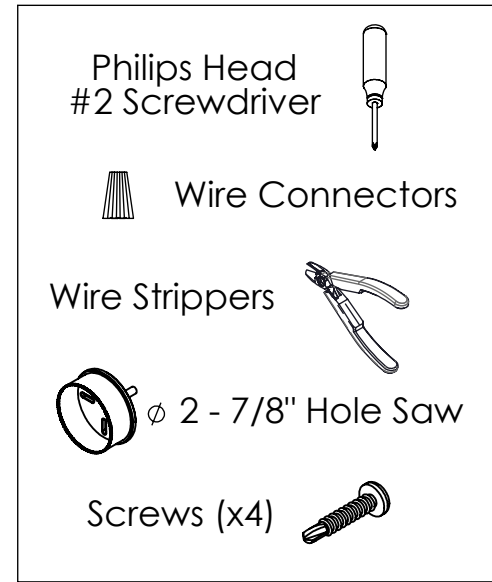
ISOMETRIC VIEWS



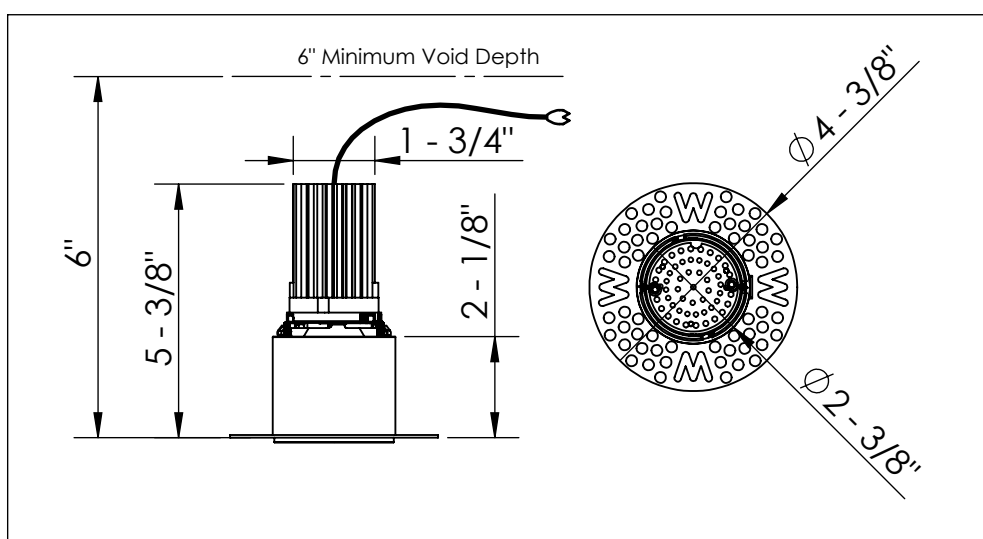
PACKAGE INCLUDES:



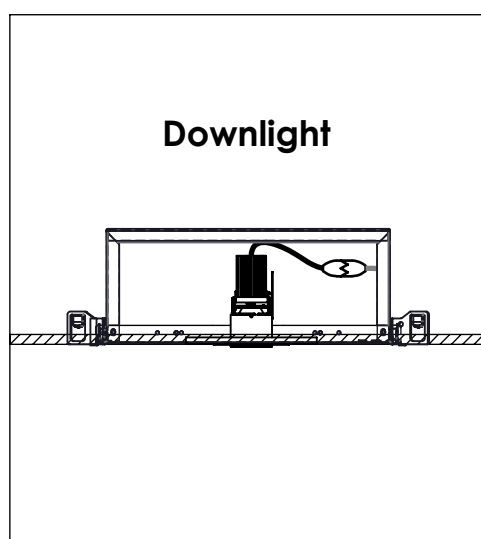
ITEMS NEEDED (SUPPLIED BY OTHERS):



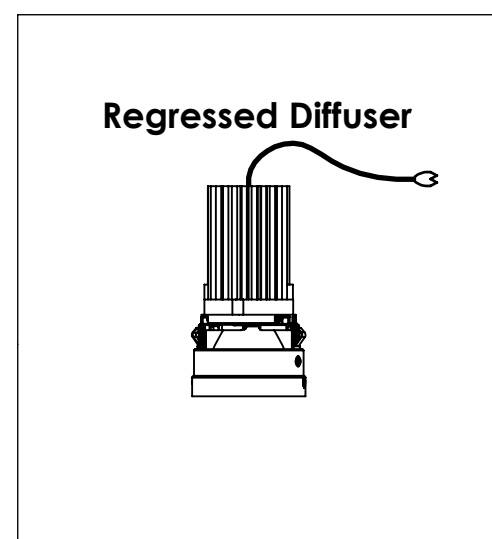
MOUNTING DIMENSIONS



MOUNTING OPTIONS



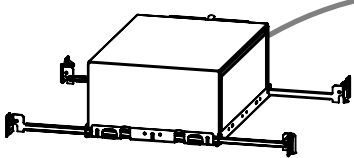
DIFFUSER POSITIONS



MOUNTING INSTALLATION STEPS

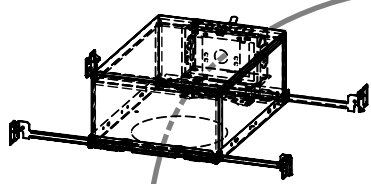
TURN OFF MAIN POWER BEFORE PROCEEDING!

Step 1: Complete up to and including step 4 of the Chicago Plenum Surface Mount Install Steps. (Refer to Ceiling Thickness Key before installing)



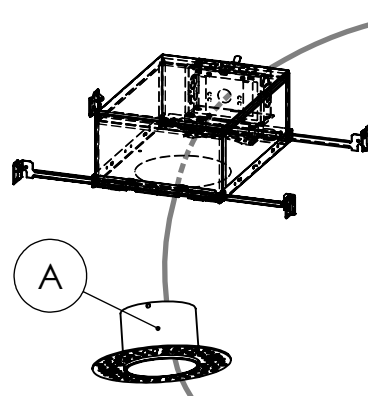
(Ceiling hidden for clarity)

Step 2: Locate the DC Power wires. Pull them through the hole in the Plenum Box and ceiling.



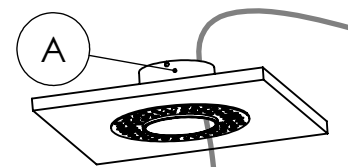
(Ceiling hidden for clarity)

Step 3: Pull Low Voltage leads through Housing (A).



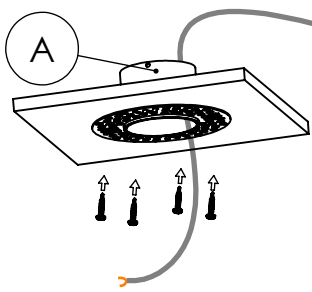
(Ceiling hidden for clarity)

Step 4: Position Housing (A) into hole and push it all the way in.



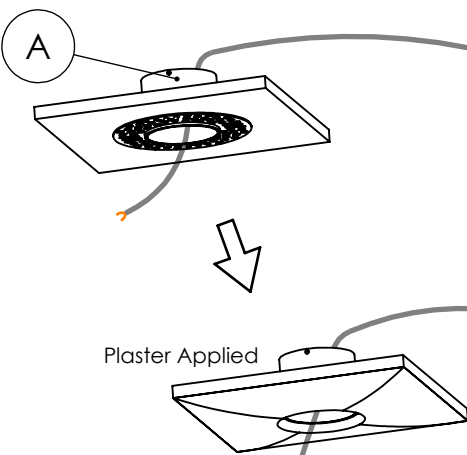
(CP/IC Housing hidden for clarity)

Step 5: Screw the Housing (A) into the Ceiling using holes in the lattice.



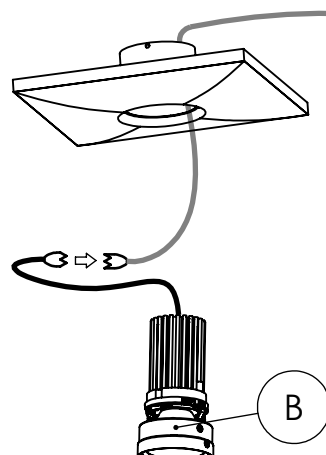
(CP/IC Housing hidden for clarity)

Step 6: Once Housing (A) is flush with the Ceiling and screwed into place, plaster over the lattice. Once plaster is dry, remove the blue tape from the inside of the Housing (A).



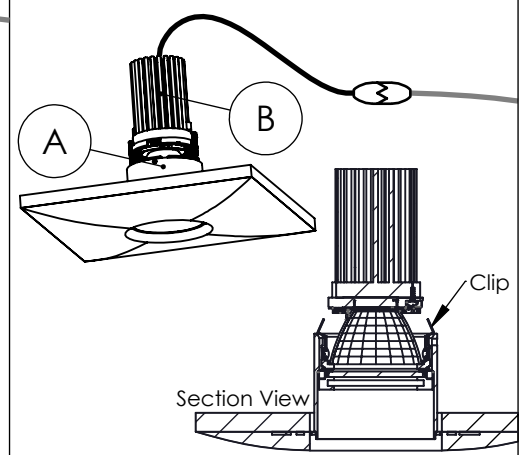
(CP/IC Housing hidden for clarity)

Step 7: Make the connection between the Low Voltage leads and the Light Engine (B) using the supplied wire connectors.



(CP/IC Housing hidden for clarity)

Step 8: Insert the Light Engine (B) into the Housing (A). When you've pushed the Light Engine (B) all the way up, twist it and pull down. See detail below.



(CP/IC Housing hidden for clarity)

Ceiling Thickness Key

Material	Wood	Gypsum	Metal	Tile
Minimum	1/4"	1/2"	1/16"	1/2"
Maximum	1 - 3/4"	1 - 3/4"	11/16"	1 - 3/4"



WARNING:
INSTALL PRODUCT IN ACCORDANCE WITH LOCAL AND NATIONAL ELECTRICAL CODES; BY A QUALIFIED ELECTRICIAN.



WARNING:
FAILURE TO COMPLY WITH THE INSTALLATION INSTRUCTIONS MAY RESULT IN DEATH OR SERIOUS INJURY.



WARNING:
READ ALL SAFETY INSTRUCTIONS INCLUDED WITH LUMINAIRE BEFORE INSTALLING LUMINAIRE.

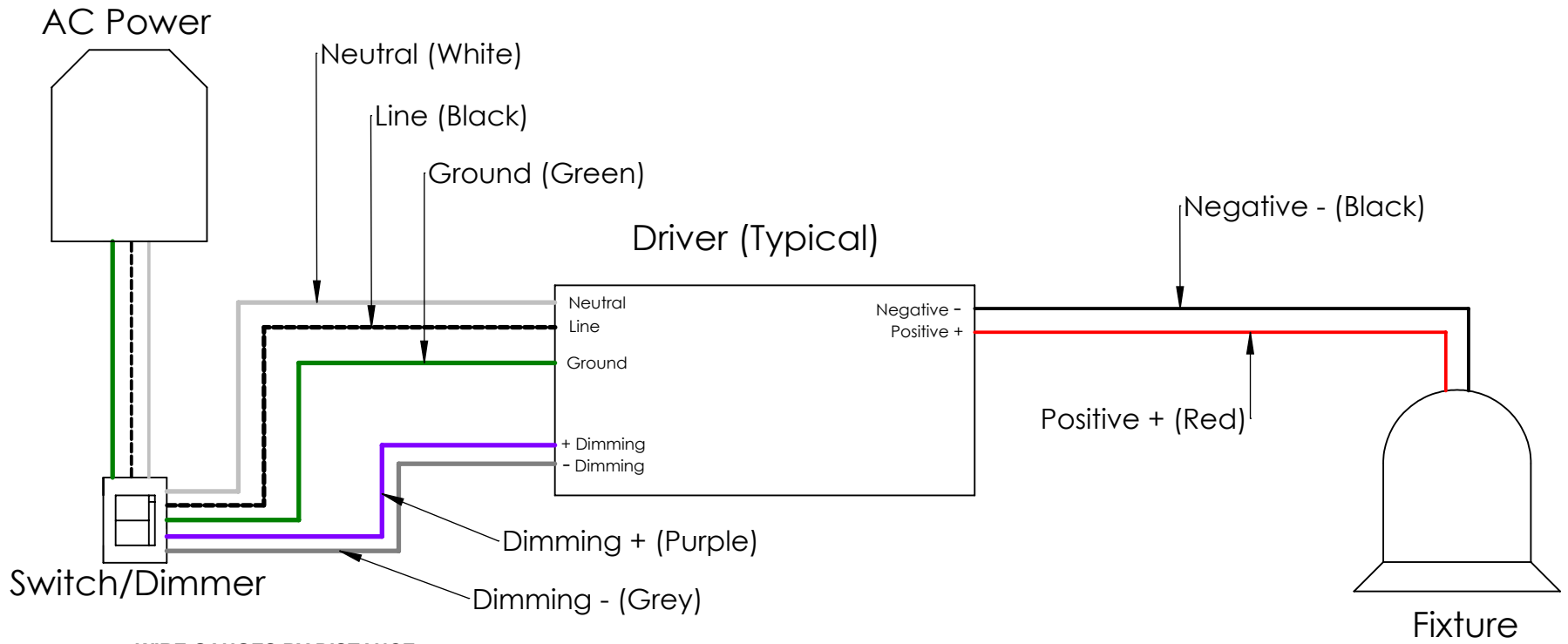
CAUTION:

THIS IS AN ELECTRONIC DEVICE. CARE MUST BE TAKEN DURING STORAGE AND HANDLING. STORE IN A CLEAN, COOL AND DRY LOCATION. ELECTROSTATIC DISCHARGE (ESD) CAN HARM THIS PRODUCT. AVOID STATIC DISCHARGE WHILE HANDLING THIS PRODUCT.

CAUTION:

INTER-LUX IS NOT RESPONSIBLE FOR THE STRUCTURAL INTEGRITY OF THE BUILDING TO SUPPORT THE LUMINAIRE. ADDITIONAL BACKING MAY BE REQUIRED.

Wiring Key



WIRE GAUGES BY DISTANCE

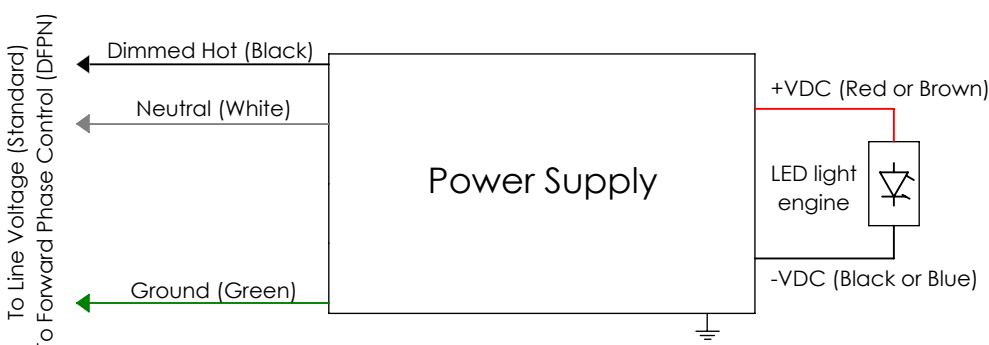
Wire Gauge	Maximum Lead Length		EldoLED
	Lutron		
	200 mA to 700 mA	710 mA to 1.50 A	
#18AWG	30'	15'	72'
#16AWG	35'	25'	118'
#14AWG	50'	40'	150'
#12AWG	100'	60'	200'

*Actual Voltage drop to be calculated by installer

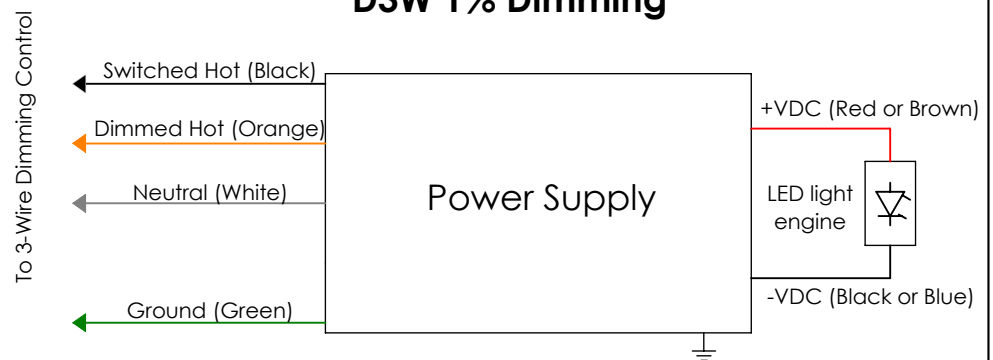
Red	Black	Green	Black	White	Purple	Grey
Positive	Negative	Ground	Line	Neutral	Dimming +	Dimming -

Driver Wiring Diagrams

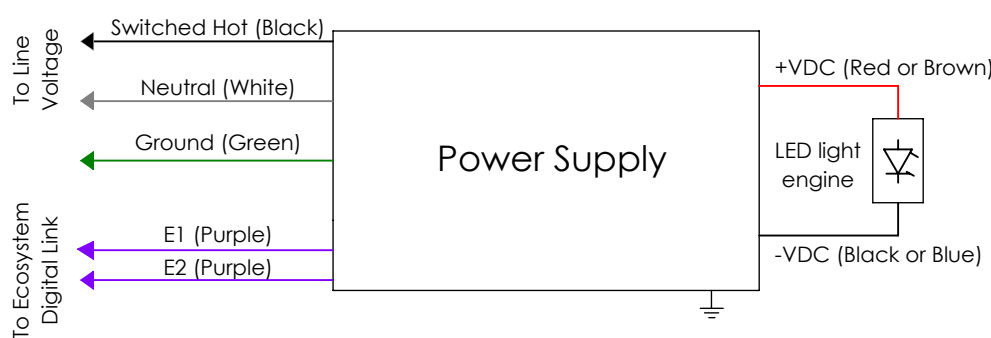
Standard Non-Dimming/DFPN Dimming



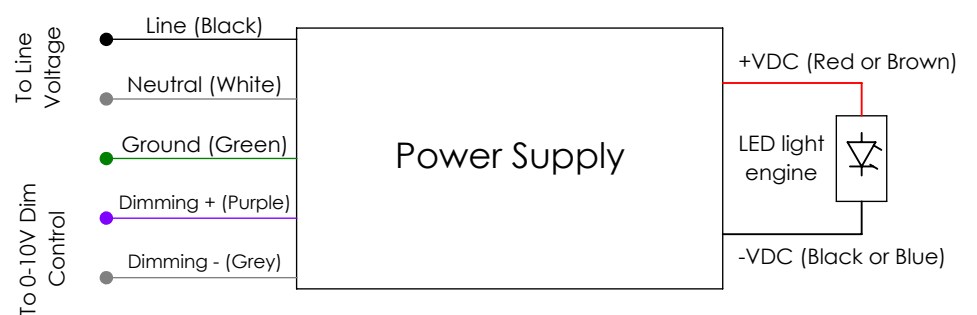
D3W 1% Dimming



DES 1% Dimming



0-10V Dimming



ALL DRIVERS ARE INTER-LUX PROVIDED. FOR NON INTER-LUX PROVIDED DRIVERS PLEASE REFER TO DRIVER MANUFACTURER. THE USE OF NON INTER-LUX PROVIDED DRIVERS VOIDS PRODUCT WARRANTY.