

**WARNING:**  
INSTALL PRODUCT IN ACCORDANCE WITH LOCAL AND NATIONAL ELECTRICAL CODES; BY A QUALIFIED ELECTRICIAN.

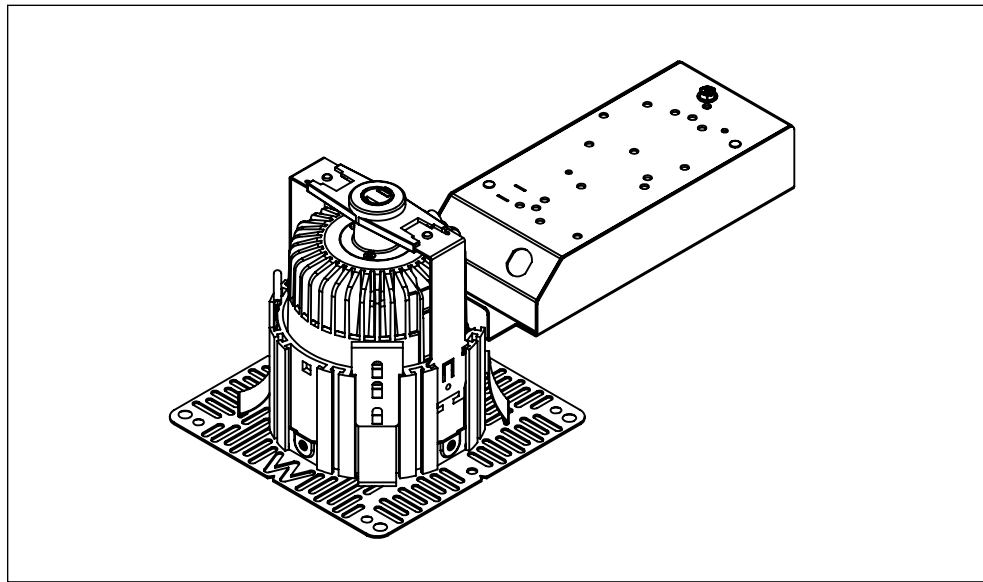
**WARNING:**  
FAILURE TO COMPLY WITH THE INSTALLATION INSTRUCTIONS MAY RESULT IN DEATH OR SERIOUS INJURY.

**WARNING:**  
READ ALL SAFETY INSTRUCTIONS INCLUDED WITH LUMINAIRE BEFORE INSTALLING LUMINAIRE.

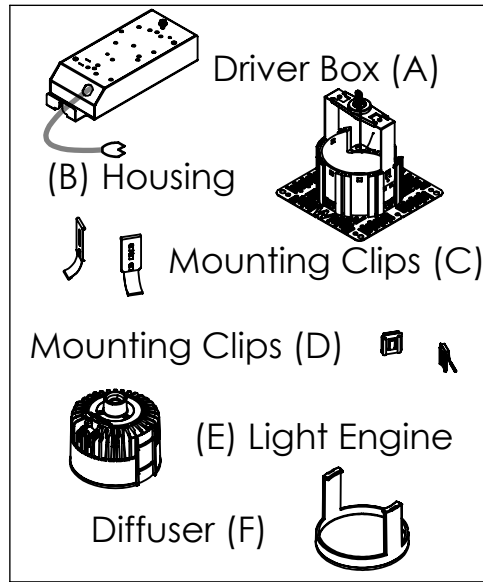
**CAUTION:**  
THIS IS AN ELECTRONIC DEVICE. CARE MUST BE TAKEN DURING STORAGE AND HANDLING. STORE IN A CLEAN, COOL AND DRY LOCATION. ELECTROSTATIC DISCHARGE (ESD) CAN HARM THIS PRODUCT. AVOID STATIC DISCHARGE WHILE HANDLING THIS PRODUCT.

**CAUTION:**  
INTER-LUX IS NOT RESPONSIBLE FOR THE STRUCTURAL INTEGRITY OF THE BUILDING TO SUPPORT THE LUMINAIRE. ADDITIONAL BACKING MAY BE REQUIRED.

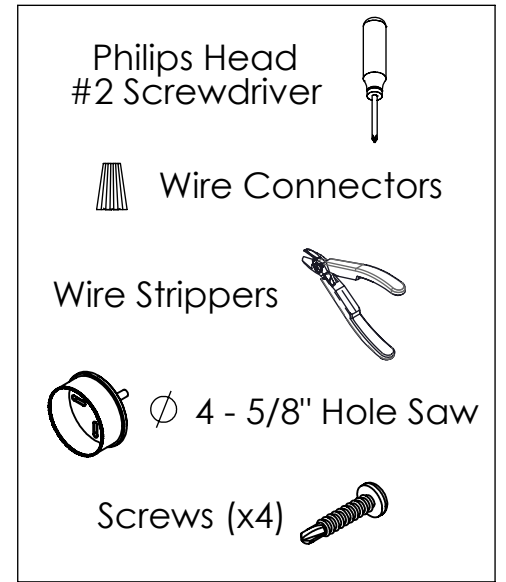
**ISOMETRIC VIEWS**



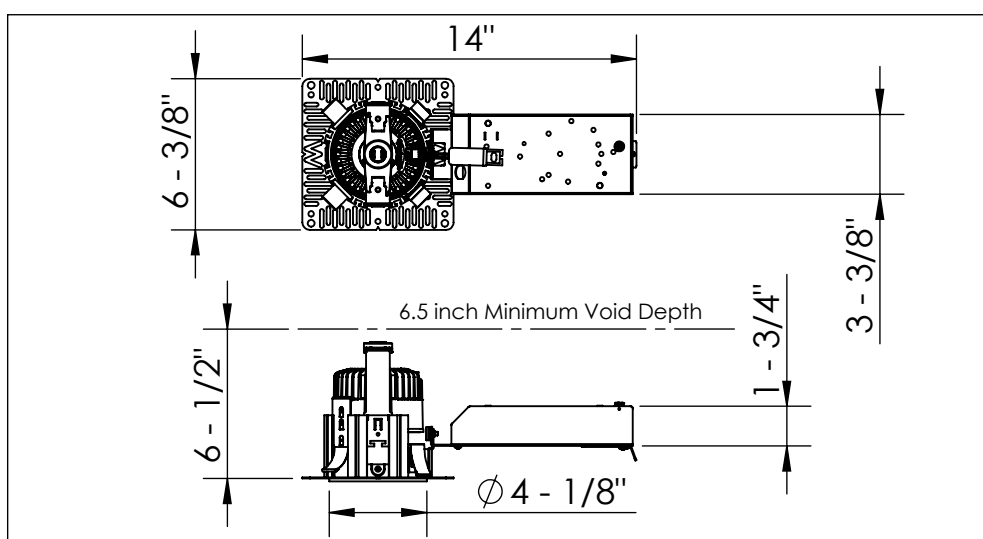
**PACKAGE INCLUDES:**



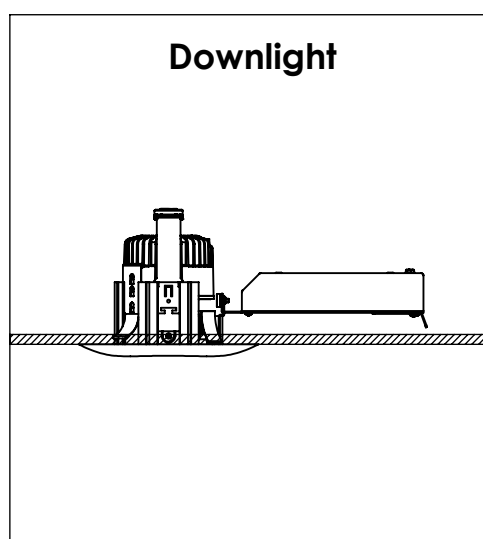
**ITEMS NEEDED (SUPPLIED BY OTHERS):**



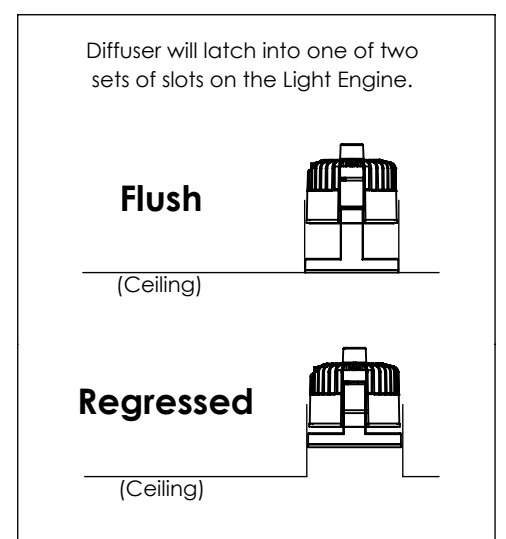
**MOUNTING DIMENSIONS**



**MOUNTING OPTIONS**



**DIFFUSER POSITIONS**



**MOUNTING INSTALLATION STEPS**

**TURN OFF MAIN POWER BEFORE PROCEEDING!**

Step 1: Cut Hole in the Ceiling and clear insulation as shown. The 14" space is made to accommodate the Driver (A) and 6" of clearance. (Refer to Ceiling Thickness Key before installing)

Bottom View:  $\phi 4 - 5/8"$

Side View: 14" diameter, 6" clearance

Step 2: Locate the AC Power, and and Dimming Leads if required, and pull them through the hole.

Step 3: Pull AC Power and Dimming Leads through Housing (B).

Step 4A: Position the Housing (B) into hole and push it in all the way. Screw the Housing (B) into the ceiling using holes in the lattice.

Step 4B: Before placement into the ceiling, push large Mounting Clips (C) into their slots up to the first tab. Then insert Housing (B) into the ceiling and push Mounting Clips (D) into their respective slots as shown. Make sure that each clip is pushed until the housing is secure in the ceiling.

OR

Step 5: Once Housing (B) is flush with the ceiling and screwed down or clips are in place, plaster over the lattice. Once plaster is dry, remove the blue tape from the inside of the Housing (B).

Plaster Applied

Step 6: Make the connection between the Driver (A) and AC Power/Dimming with the supplied connectors.

Step 7: Push the Driver (A) up through the Housing (B). Slide the slot protruding from the Driver (A) over the thumb screw (1), then tighten the thumb screw (2).

Step 8: Attach the Safety Cable to the Light Engine (E)(1). Then make the connection between the Driver (A) and the Light Engine (E) with the supplied connectors (2).

Step 9: Push the Light Engine (E) up into the Housing (B) until it locks into the spring latch.

**Ceiling Thickness Key**

Material	Wood	Gypsum	Metal	Tile
Minimum	1/4"	1/2"	1/16"	1/2"
Maximum	1"	1"	11/16"	1"



**WARNING:**  
INSTALL PRODUCT IN ACCORDANCE WITH LOCAL AND NATIONAL ELECTRICAL CODES; BY A QUALIFIED ELECTRICIAN.



**WARNING:**  
FAILURE TO COMPLY WITH THE INSTALLATION INSTRUCTIONS MAY RESULT IN DEATH OR SERIOUS INJURY.



**WARNING:**  
READ ALL SAFETY INSTRUCTIONS INCLUDED WITH LUMINAIRE BEFORE INSTALLING LUMINAIRE.

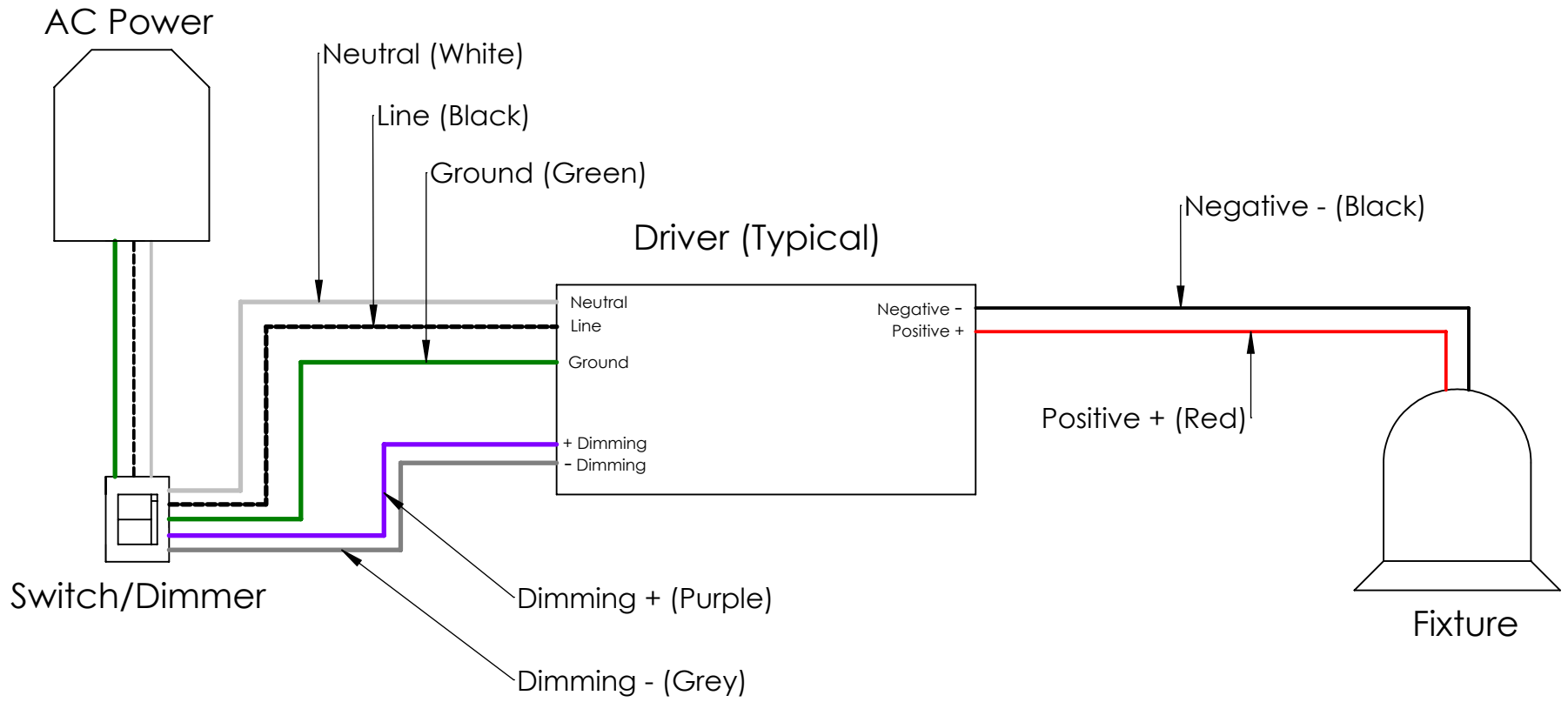
**CAUTION:**

THIS IS AN ELECTRONIC DEVICE. CARE MUST BE TAKEN DURING STORAGE AND HANDLING. STORE IN A CLEAN, COOL AND DRY LOCATION. ELECTROSTATIC DISCHARGE (ESD) CAN HARM THIS PRODUCT. AVOID STATIC DISCHARGE WHILE HANDLING THIS PRODUCT.

**CAUTION:**

INTER-LUX IS NOT RESPONSIBLE FOR THE STRUCTURAL INTEGRITY OF THE BUILDING TO SUPPORT THE LUMINAIRE. ADDITIONAL BACKING MAY BE REQUIRED.

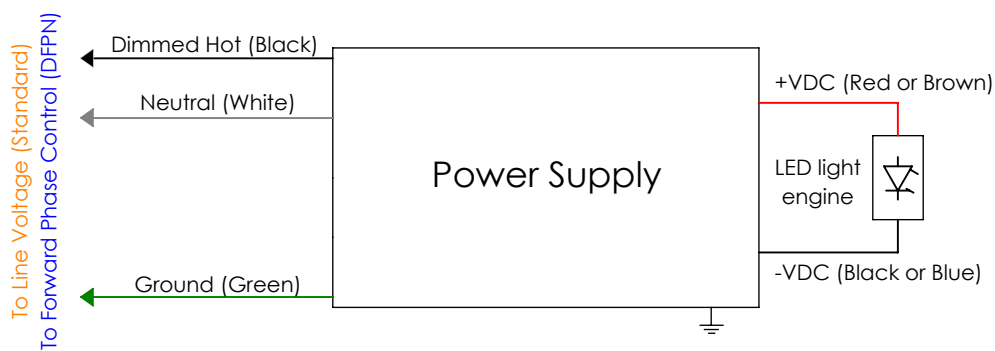
**Wiring Key**



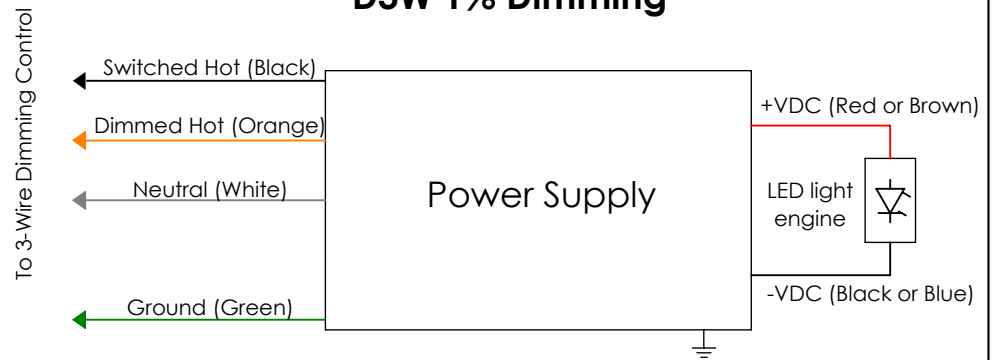
Red	Black	Green	Black	White	Purple	Grey
Positive	Negative	Ground	Line	Neutral	Dimming +	Dimming -

**Driver Wiring Diagrams**

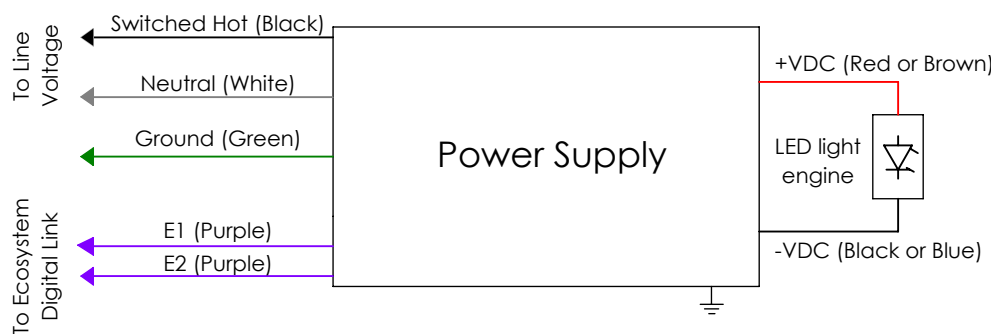
**Standard Non-Dimming/DFPN Dimming**



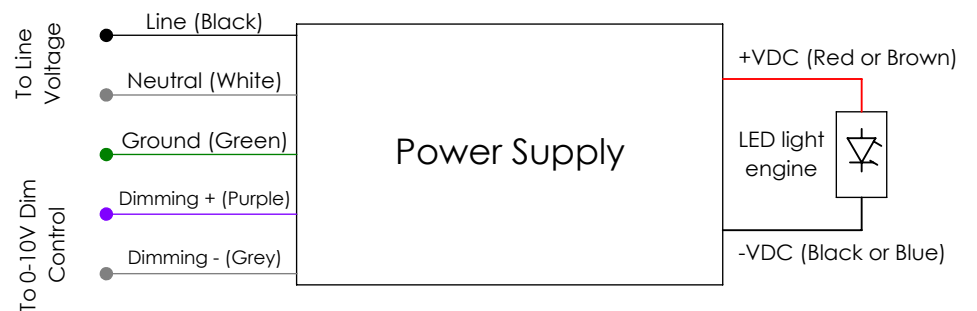
**D3W 1% Dimming**



**DES 1% Dimming**



**0-10V Dimming**



**THESE DRIVERS ARE INTER-LUX PROVIDED. FOR NON INTER-LUX DRIVERS PLEASE REFER TO DRIVER MANUFACTURER. THE USE OF NON INTER-LUX PROVIDED DRIVERS VOIDS PRODUCT WARRANTY.**