

INSTALLATION INSTRUCTIONS



WARNING:

INSTALL PRODUCT IN ACCORDANCE WITH LOCAL AND NATIONAL ELECTRICAL CODES; BY A QUALIFIED ELECTRICIAN.



WARNING:

FAILURE TO COMPLY WITH THE INSTALLATION INSTRUCTIONS MAY RESULT IN DEATH OR SERIOUS INJURY.



WARNING:

READ ALL SAFETY INSTRUCTIONS INCLUDED WITH LUMINAIRE BEFORE INSTALLING LUMINAIRE.

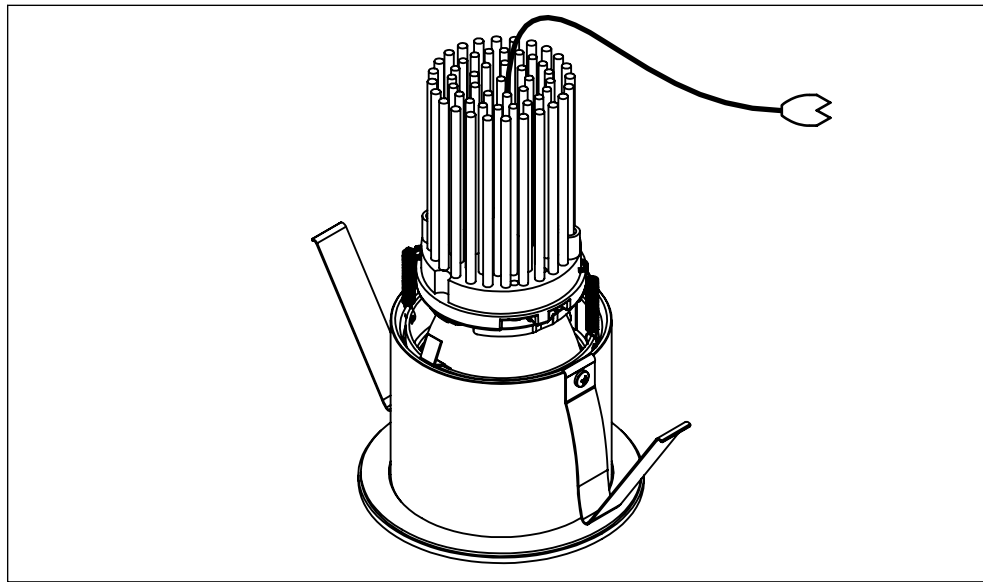
CAUTION:

THIS IS AN ELECTRONIC DEVICE. CARE MUST BE TAKEN DURING STORAGE AND HANDLING. STORE IN A CLEAN, COOL AND DRY LOCATION. ELECTROSTATIC DISCHARGE (ESD) CAN HARM THIS PRODUCT. AVOID STATIC DISCHARGE WHILE HANDLING THIS PRODUCT.

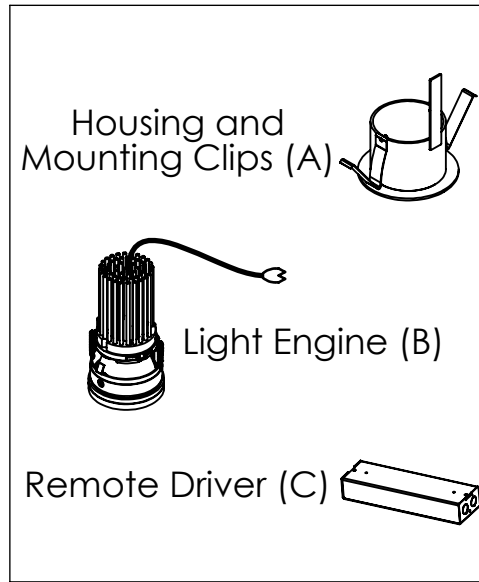
CAUTION:

INTER-LUX IS NOT RESPONSIBLE FOR THE STRUCTURAL INTEGRITY OF THE BUILDING TO SUPPORT THE LUMINAIRE. ADDITIONAL BACKING MAY BE REQUIRED.

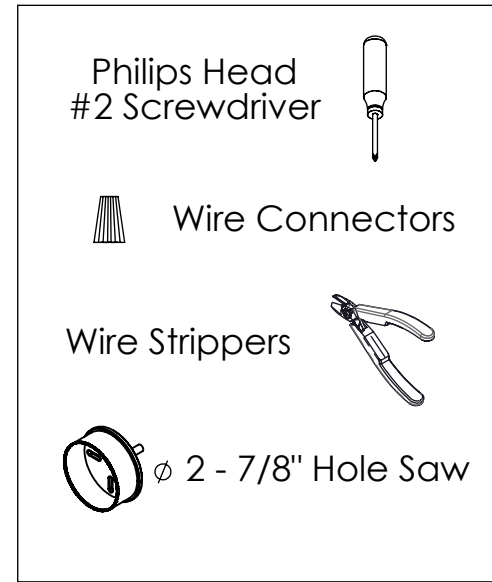
ISOMETRIC VIEWS



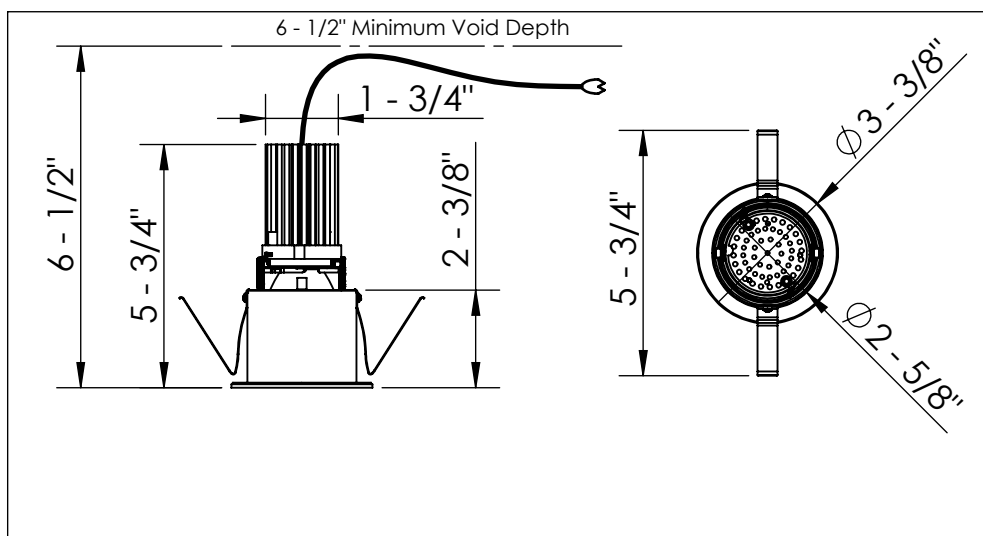
PACKAGE INCLUDES:



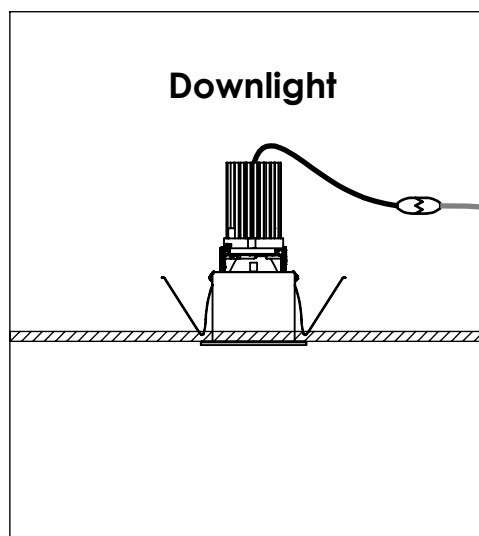
ITEMS NEEDED (SUPPLIED BY OTHERS):



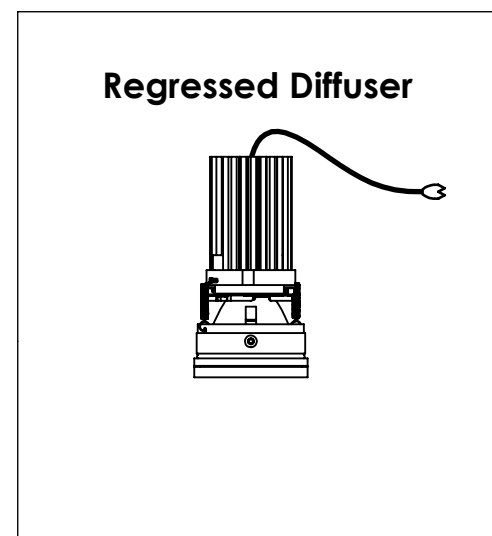
MOUNTING DIMENSIONS



MOUNTING OPTIONS



DIFFUSER POSITIONS

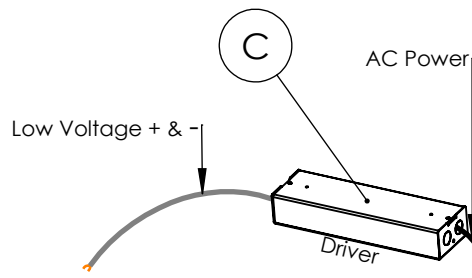


MOUNTING INSTALLATION STEPS

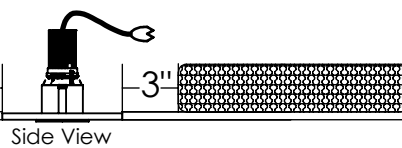
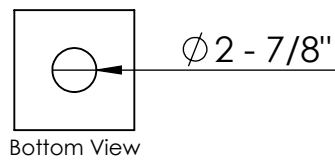


TURN OFF MAIN POWER BEFORE PROCEEDING!

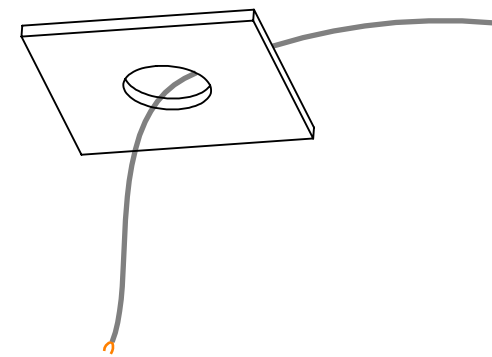
Step 1: Install the Remote Driver(s) (C). Make sure you select the correct wire gauge from the chart on the Wiring Instructions, then run that wire from your driver to the desired location of your fixture.



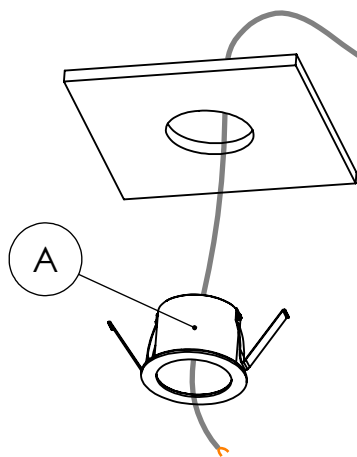
Step 2: Cut Hole in the Ceiling and clear insulation as shown. (Refer to Ceiling Thickness Key before installing)



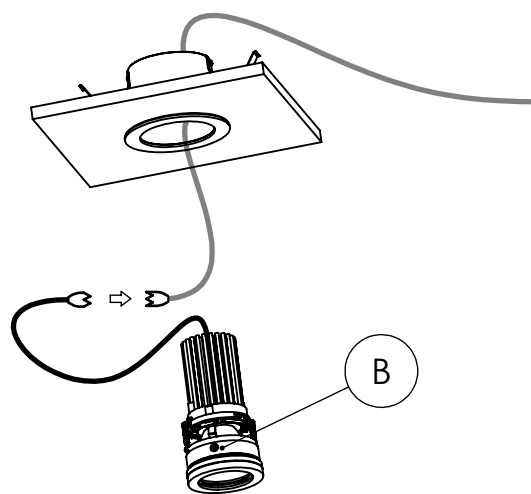
Step 3: Locate the Low Voltage leads from Driver (C) and pull them through the hole.



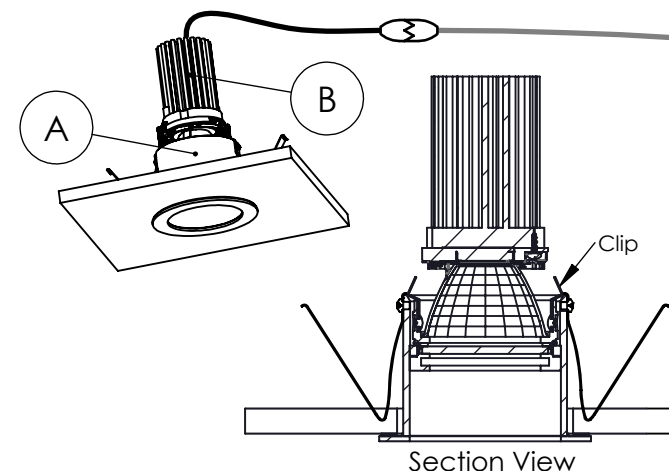
Step 4: Pull Low Voltage leads through Housing (A). Then position Housing (A) into hole and push it all the way in.



Step 5: Make the connection between the Low Voltage leads and the Light Engine (B) using supplied wire connectors.



Step 6: Insert the Light Engine (B) into the Housing (A). Make sure the clips on the sides of the Light Engine (B) catch on the sides of the Housing (A). See Section View.



Ceiling Thickness Key

Material	Wood	Gypsum	Metal	Tile
Minimum	1/4"	1/2"	1/16"	1/2"
Maximum	2"	2"	11/16"	2"



WARNING:
INSTALL PRODUCT IN ACCORDANCE WITH LOCAL AND NATIONAL ELECTRICAL CODES; BY A QUALIFIED ELECTRICIAN.



WARNING:
FAILURE TO COMPLY WITH THE INSTALLATION INSTRUCTIONS MAY RESULT IN DEATH OR SERIOUS INJURY.



WARNING:
READ ALL SAFETY INSTRUCTIONS INCLUDED WITH LUMINAIRE BEFORE INSTALLING LUMINAIRE.

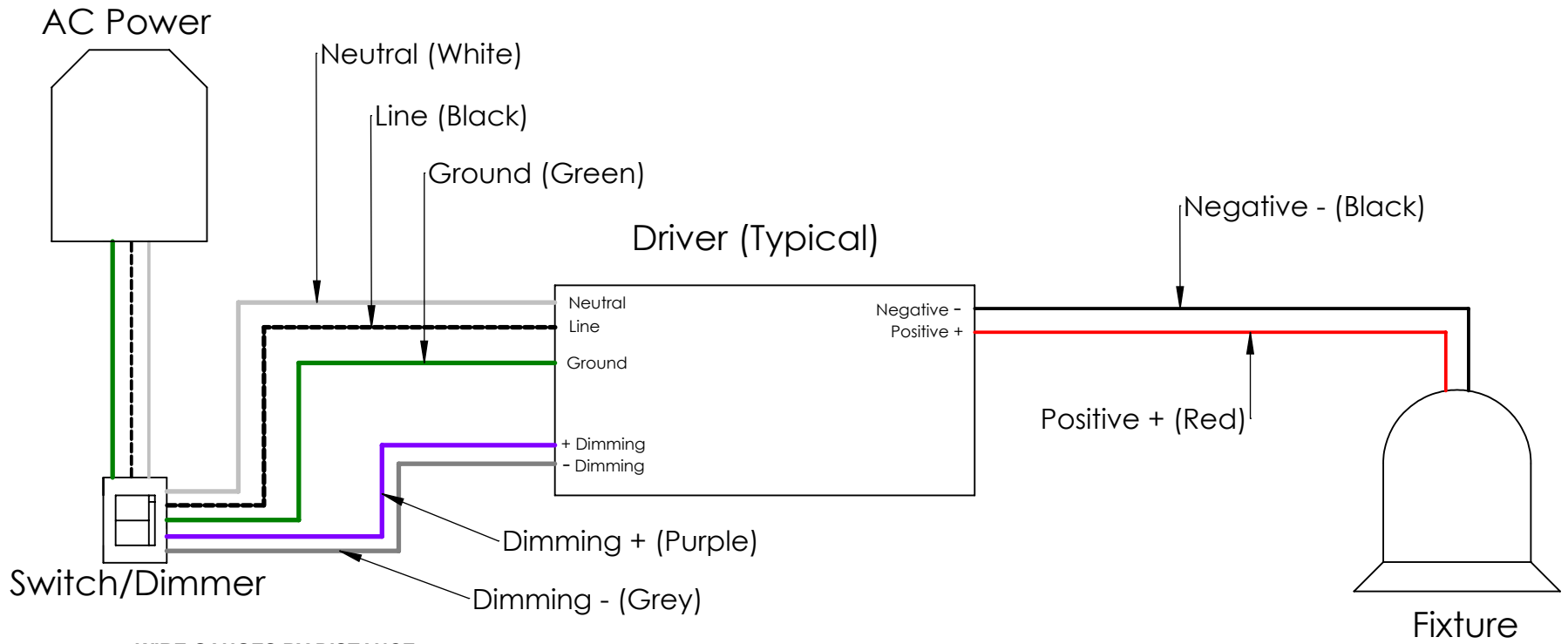
CAUTION:

THIS IS AN ELECTRONIC DEVICE. CARE MUST BE TAKEN DURING STORAGE AND HANDLING. STORE IN A CLEAN, COOL AND DRY LOCATION. ELECTROSTATIC DISCHARGE (ESD) CAN HARM THIS PRODUCT. AVOID STATIC DISCHARGE WHILE HANDLING THIS PRODUCT.

CAUTION:

INTER-LUX IS NOT RESPONSIBLE FOR THE STRUCTURAL INTEGRITY OF THE BUILDING TO SUPPORT THE LUMINAIRE. ADDITIONAL BACKING MAY BE REQUIRED.

Wiring Key



WIRE GAUGES BY DISTANCE

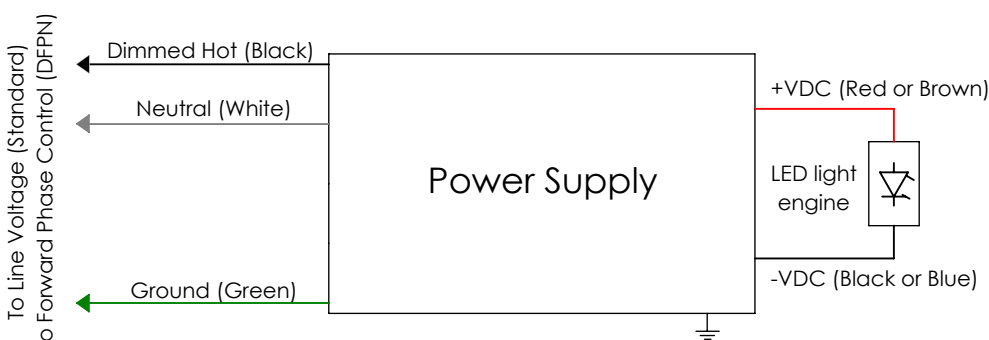
Wire Gauge	Maximum Lead Length		EldoLED
	Lutron		
	200 mA to 700 mA	710 mA to 1.50 A	
#18AWG	30'	15'	72'
#16AWG	35'	25'	118'
#14AWG	50'	40'	150'
#12AWG	100'	60'	200'

*Actual Voltage drop to be calculated by installer

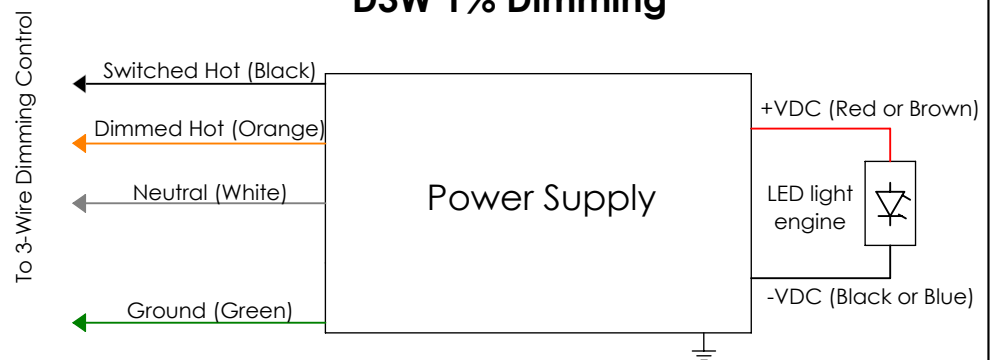
Red	Black	Green	Black	White	Purple	Grey
Positive	Negative	Ground	Line	Neutral	Dimming +	Dimming -

Driver Wiring Diagrams

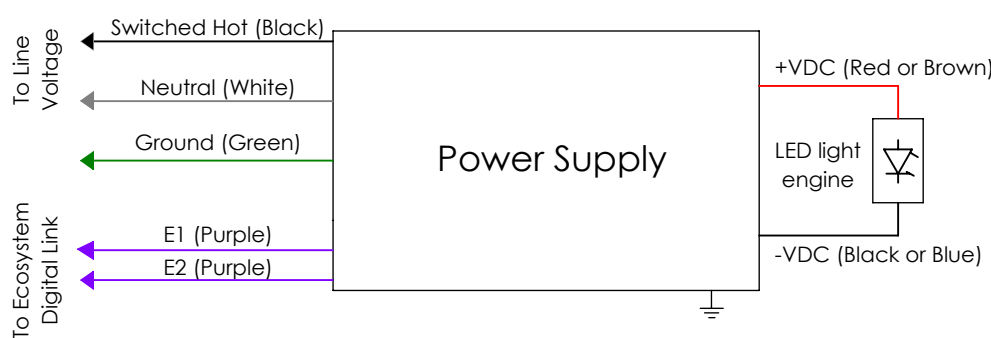
Standard Non-Dimming/DFPN Dimming



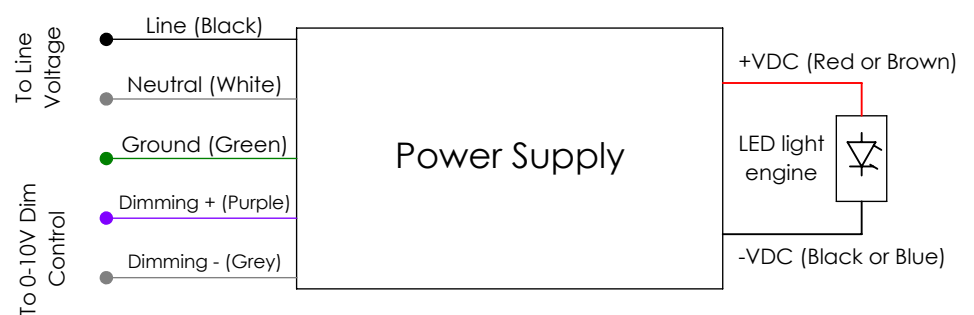
D3W 1% Dimming



DES 1% Dimming



0-10V Dimming



ALL DRIVERS ARE INTER-LUX PROVIDED. FOR NON INTER-LUX DRIVERS PLEASE REFER TO DRIVER MANUFACTURER. THE USE OF NON INTER-LUX DRIVERS VOIDS PRODUCT WARRANTY.