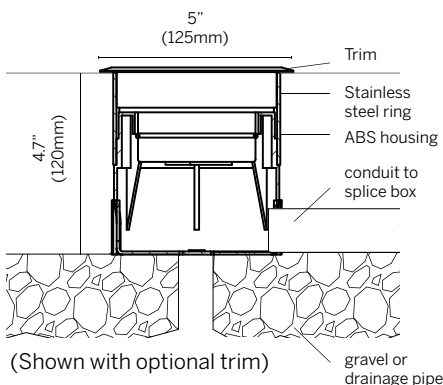
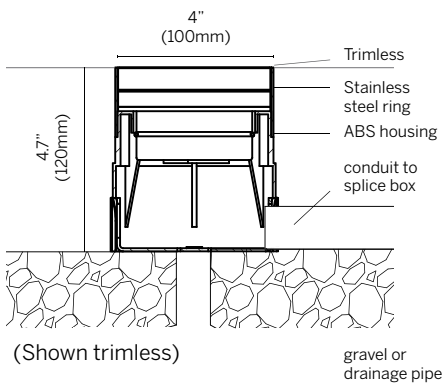


SQ100 Paver Specifications



Ordering Information¹

Model	Power ²	Color	Optics	Voltage	Options	Housing
F SQP100			LL	24		
F SQP100	H L	27 30 35 40 RGB	LL	24	TR C1 C2 C3	SQ100T SQ100C

¹Specify remote power supply separately below. ²H recommended for higher ambient light environs.

Luminaire

- Trimless for seamless integration into grade; optional stainless steel trim
- Snap in installation with no exposed hardware
- Sustainable design, replaceable LED module
- IP67, UL STD 1598, wet location, Pedestrian driveover rated 3000 lb
- Stainless steel 304 and ABS construction, direct concrete pour housing, with clear tempered glass 5/8" thick
- 1' (0.3m) feed cable standard

Size

- 4" ø (100mm) x 4.7" H (120mm) standard trimless
- 5" ø (125mm) x 4.7" H (120mm) with optional trim

Power

- L = 3W, 3000K, 190 lm
- H = 5W, 3000K, 360 lm
- L = 3W RGB: R 1W, 15.5 lm; G 1W, 250 lm; B 1W, 5.5 lm
- H = 5W RGB: R 2W, 19.5 lm; G 1.6W, 315 lm; B 1.6W, 6.5 lm

Color Temperature

- 30 = 3000K
- 35 = 3500K
- 40 = 4000K
- RGB
- 2 Step MacAdam
- CRI: > 85

Optics

- LL = even illumination

Voltage

- 24 = 24VDC fixture voltage (remote driver required)

Options

- TR = stainless steel 304 trim, size: 0.3" (7mm)
- C1 = 10' (3m) feed cable
- C2 = 20' (6m) feed cable
- C3 = 30' (9m) feed cable

Housing

- SQ100T – Trimless (standard)
- SQ100C – Trim

Power Supply³ (Remote)

- D-520-24006: Osram 10% 0-10V dimming, 96W, 24VDC, 120-277VAC

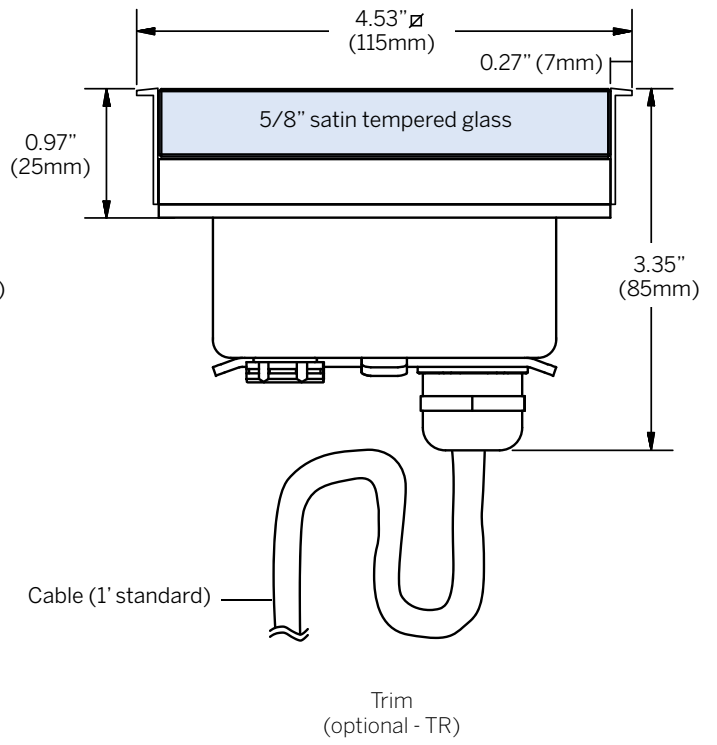
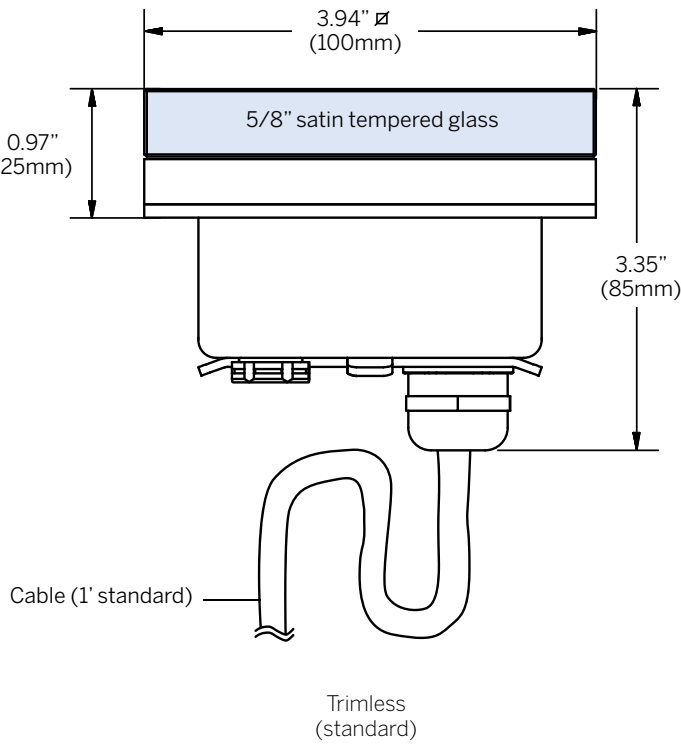
RGB

- D-550-20003: EldoLED LIN100D2, CV 24V DMX/Sequencer Interface, requires a 24VDC driver ordered separately. (DMX control not included)

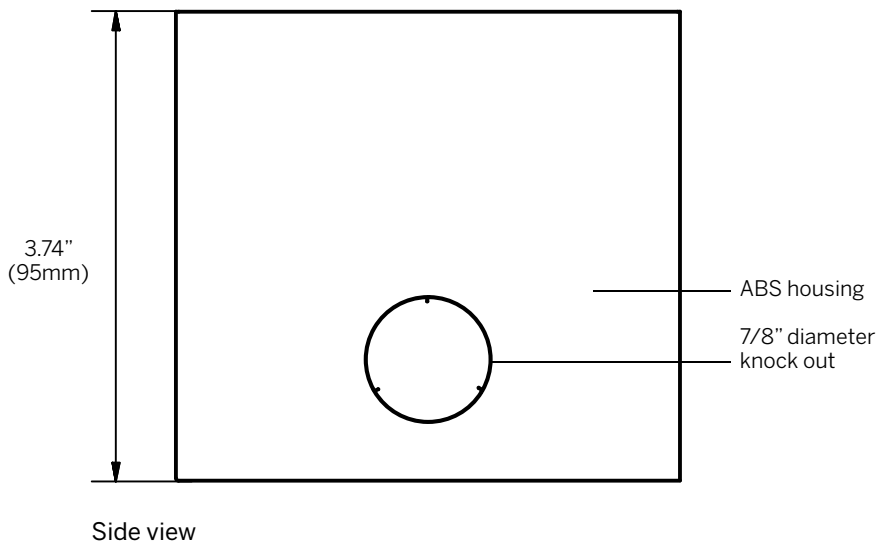
²See power supply pages for details. No enclosure, unless stated. Im80 values shown.

SQ100 Paver Dimensions

Fixture



Housing



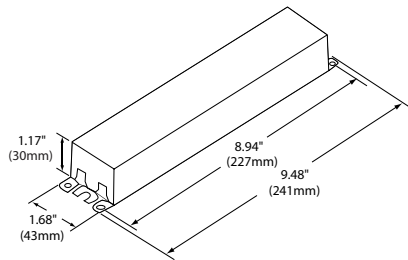
Single Color Drivers

Qty.	Part Number	Description	Case	Nominal Input Voltage (V)	Nominal Input Current (A)	Power Factor	Output Power Range (W)	Dimming Mode	Dimming Control	Dimming Range	Location Rating
	D-520-24006	Osram 0-10V dim	1	120 277	0.97 0.39	0.9	1-96	PWM	0-10V	10 -100%	Damp

The installer and/or end user must take precautions to prevent and/or test the effects of EMI (electromagnetic interference). Maximum recommended load is 80% of driver rating.

Case dimensions

Case 1 (no enclosure)



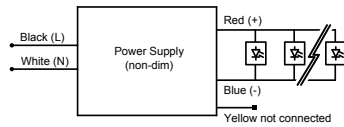
Maximum wiring distance*

Wire gauge	Load per driver	
	Osram	
	≤48W	≤72W
#18AWG	37'	25'
#16AWG	59'	39'
#14AWG	95'	63'
#12AWG	151'	101'
#10AWG	241'	160'

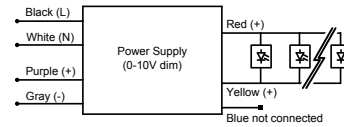
*Voltage drop guide for 24VDC. Actual Voltage drop to be calculated by installer.

Wiring diagrams

96W Non-Dim



96W Dim

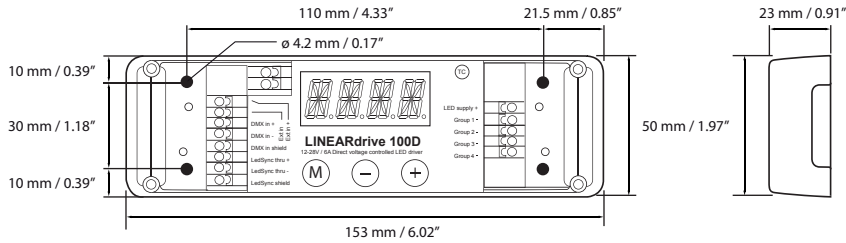


SQ100 Paver RGB Interface

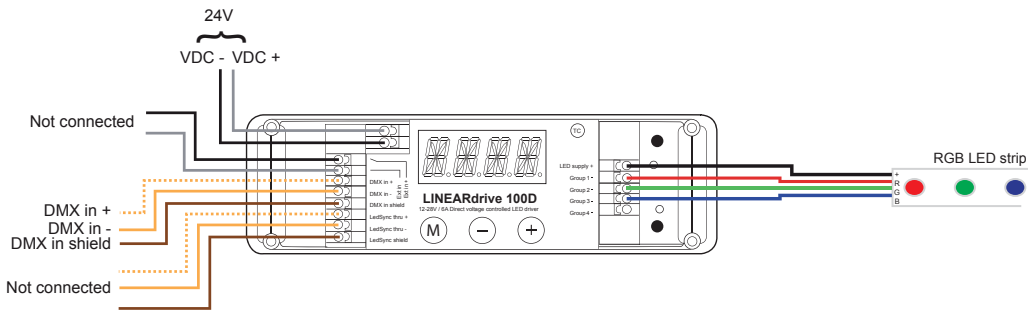
RGB Control Interface Details

Qty.	Part Number	Description	Nominal Input Voltage (V)	Maximum Output per channel (W)	Output Power Range (W)
	D-550-20003	DMX/Sequencer Interface	24	32	96

RGB Control case dimensions (DMX/Sequencer Interface)



Wiring Diagram



See installation / driver instructions for details.
Must order power supply separately