

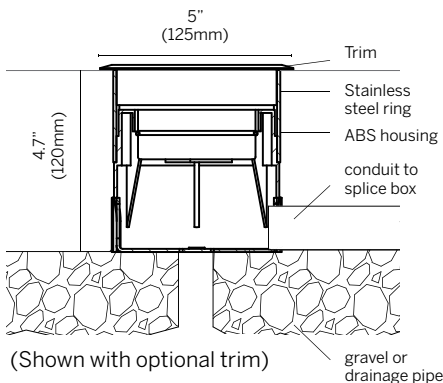
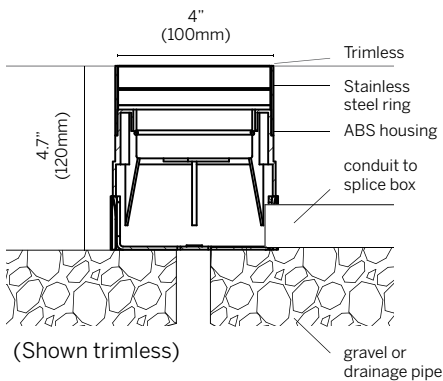
# SQ100 Deco Specifications



## Ordering Information<sup>1</sup>

Model	Power	Color	Optics	Voltage	Options	Housing
F SQD100	H	27 30 35 40 RGB	SP FL GR	24	TR C1 C2 C3	SQ100T SQ100C

<sup>1</sup>Specify remote power supply separately below.



## Luminaire

- Trimless for seamless integration into grade; optional stainless steel trim
- Snap in installation with no exposed hardware
- Sustainable design, replaceable LED module
- IP67, UL STD 1598, wet location, Pedestrian driveover rated 3000 lb
- Stainless steel 304 and ABS construction, direct concrete pour housing, with clear tempered glass 5/8" thick
- 1' (0.3m) feed cable standard

## Size

- 4"Ø (100mm) x 4.7" H (120mm) standard trimless
- 5"Ø (125mm) x 4.7" H (120mm) with optional trim

## Power

- H = 6W, 3000K, 565 lm
- H = 7.5W RGB: R 2.5W, 140 lm; G 2.5W, 160 lm; B 2.5W, 45 lm

## Color Temperature

- 27 = 2700K
- 30 = 3000K
- 35 = 3500K
- 40 = 4000K
- RGB
- 2 Step MacAdam
- CRI: > 85

## Optics

- SP = spot - 17°
- FL = flood - 31°
- GR = graze - 17° x 36°

## Voltage

- 24 = 24VDC fixture voltage (remote driver required)

## Options

- TR = stainless steel 304 trim, size: 0.3" (7mm)
- C1 = 10' (3m) feed cable
- C2 = 20' (6m) feed cable
- C3 = 30' (9m) feed cable

## Housing

- SQ100T – Trimless (standard)
- SQ100C – Trim

## Power Supply<sup>2</sup> (Remote)

- D-520-24006: Osram 10% 0-10V dimming, 96W, 24VDC, 120-277VAC

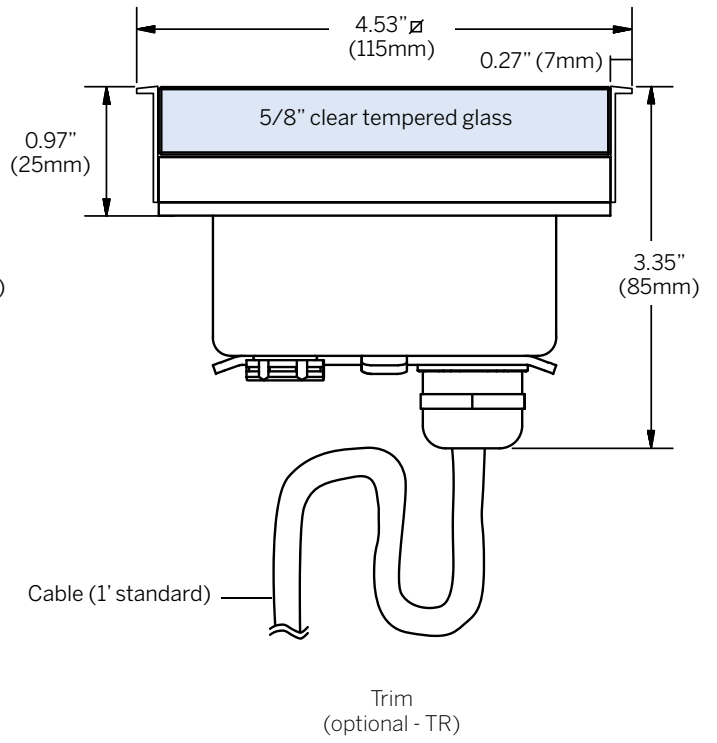
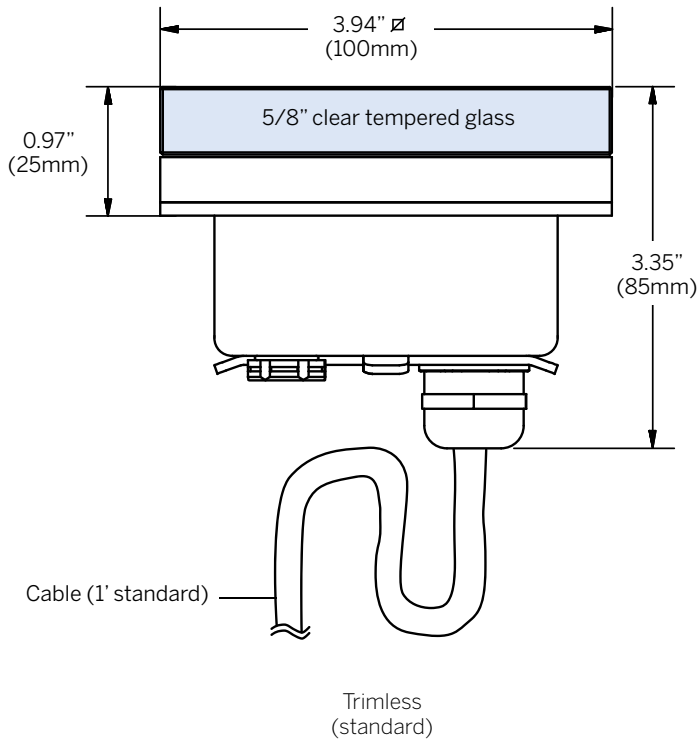
## RGB

- D-550-20003: EldoLED LIN100D2, CV 24V DMX/Sequencer Interface, requires a 24VDC driver ordered separately. (DMX control not included)

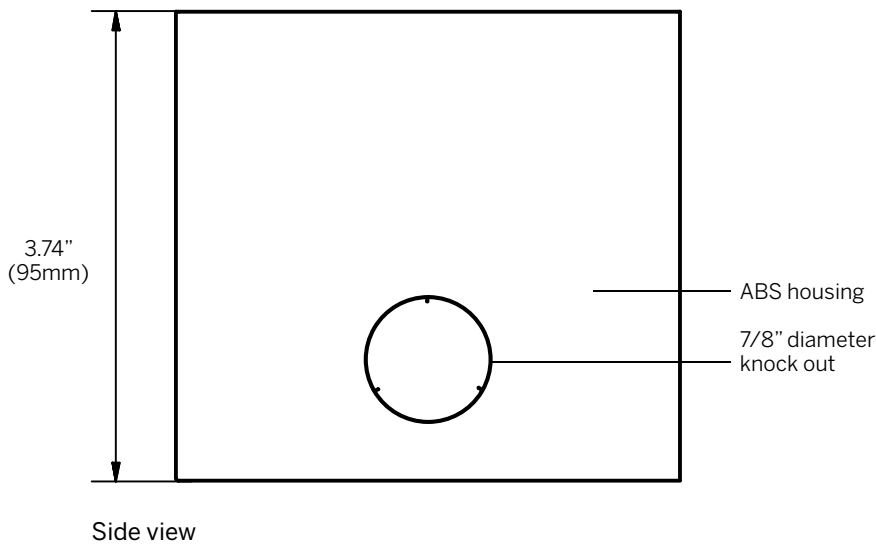
<sup>2</sup>See power supply pages for details. No enclosure, unless stated. Im80 values shown.

# SQ100 Deco Dimensions

Fixture



Housing



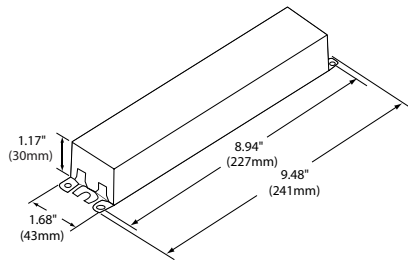
## Single Color Drivers

Qty.	Part Number	Description	Case	Nominal Input Voltage (V)	Nominal Input Current (A)	Power Factor	Output Power Range (W)	Dimming Mode	Dimming Control	Dimming Range	Location Rating
	D-520-24006	Osram 0-10V dim	1	120 277	0.97 0.39	0.9	1-96	PWM	0-10V	10 -100%	Damp

The installer and/or end user must take precautions to prevent and/or test the effects of EMI (electromagnetic interference). Maximum recommended load is 80% of driver rating.

### Case dimensions

#### Case 1 (no enclosure)



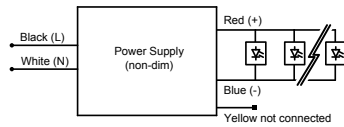
#### Maximum wiring distance\*

Wire gauge	Load per driver	
	Osram	
	≤48W	≤72W
#18AWG	37'	25'
#16AWG	59'	39'
#14AWG	95'	63'
#12AWG	151'	101'
#10AWG	241'	160'

\*Voltage drop guide for 24VDC. Actual Voltage drop to be calculated by installer.

### Wiring diagrams

#### 96W Non-Dim



#### 96W Dim

