

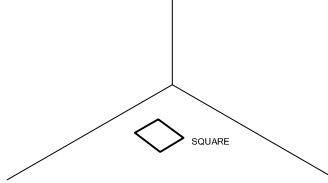
INSTALLATION INSTRUCTIONS FOR SQUARE 100 OUTER HOUSING.

All dimensions are given according to the SI system of units (mm, kg, °C), additional dimensions that are written in brackets, are given according to the U.S. measurement system (in, lbs, °F).

GENERAL REMARKS ON SAFETY:

- Read all of these instructions before installing fixtures.
- Keep all of the instructions for future reference.
- Turn off power before installing fixture.
- Installation is to be performed by a qualified electrician only.
- All installations are to conform to the standards of the National Electrical Code as well as all local jurisdictional codes and regulations.
- Any modification of the luminaire will void any and all written or implied warranties.
- Do not open the luminaire -this will void the IP rating.
- The manufacturer accepts no responsibility for damage to persons or property arising through improper use or installation.

POSSIBLE INSTALLATION POSITIONS



1500kg (3300 lbs) -IT HAS BEEN DESIGNED AND TESTED TO STAND A STATIC LOAD UP TO 1500kg (3300 lbs).

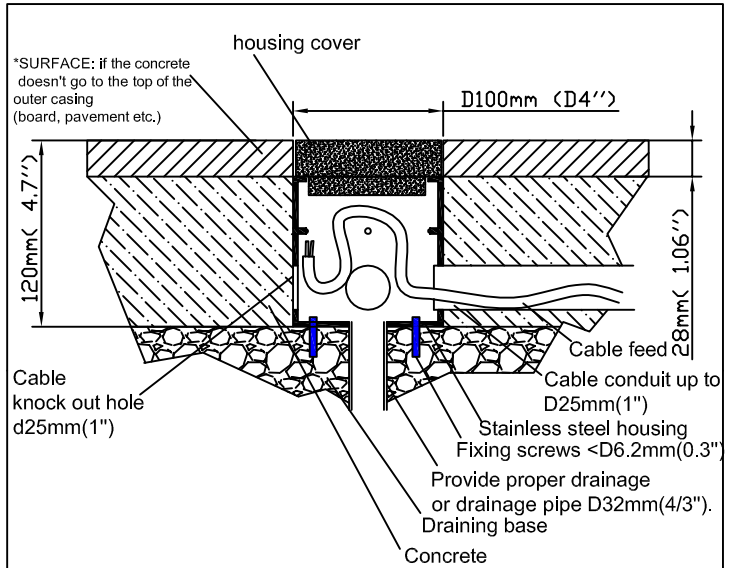
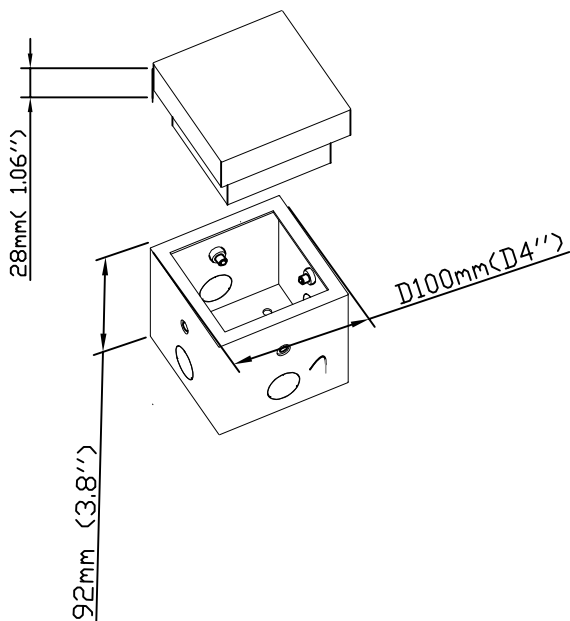


Stainless steel 304

For Wet Locations

THIS PRODUCT MUST BE INSTALLED IN ACCORDANCE WITH THE APPLICABLE INSTALLATION CODE BY A PERSON FAMILIAR WITH THE CONSTRUCTION AND OPERATION OF THE PRODUCT AND THE HAZARDS INVOLVED

GENERAL DIMMENSIONS

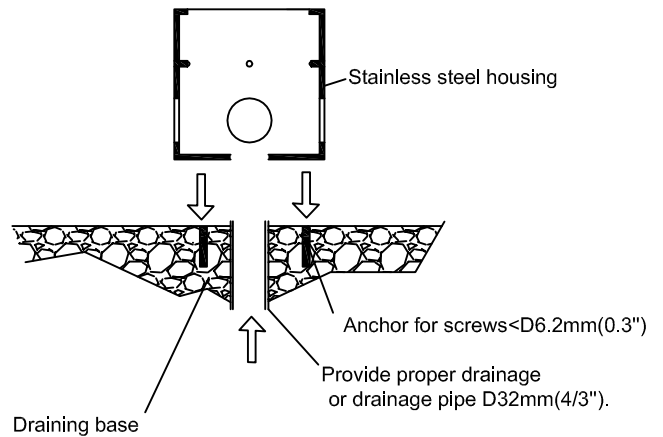


1. Prepare proper drainage or drainage pipe at installing position.
2. Using housing as template drill holes for anchor 6mm(0.3") screws .
3. Set Anchors (Use suitable anchors for the application)
4. Connect drainage pipes to housing. (if drainage pipe used)
5. Position housing in level with grade
6. Attach housing with suitable screws to surface
7. Place cable pipe in housing through cnock out hole.
8. Run feed cable in to housing through conduit and Leave 40mm(1.5') of cable outside housing.
9. Position cable inside housing
10. Place housing safety cover
11. Ready for pouring concrete.

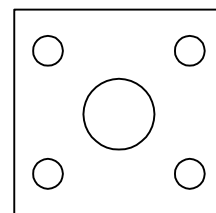
Note!

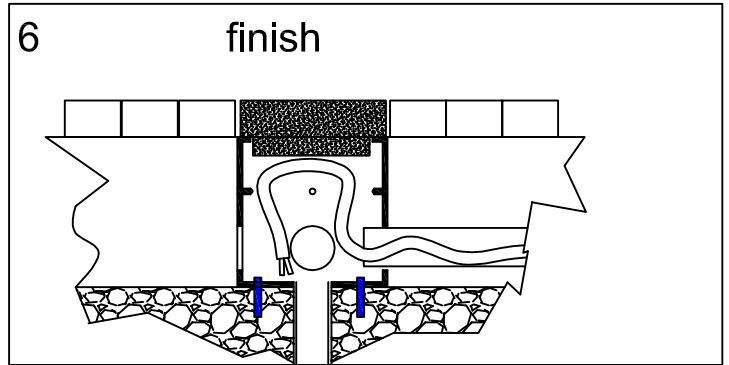
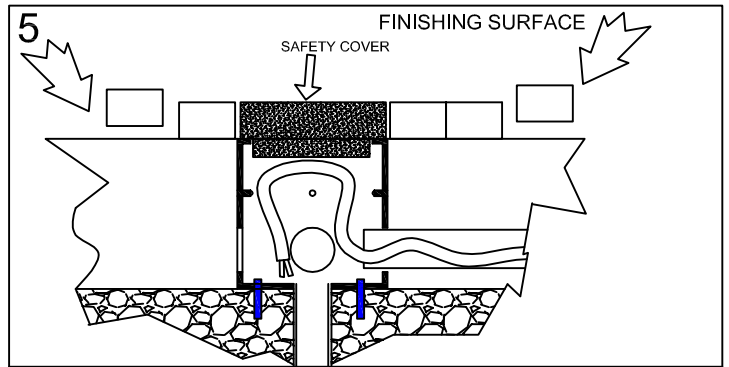
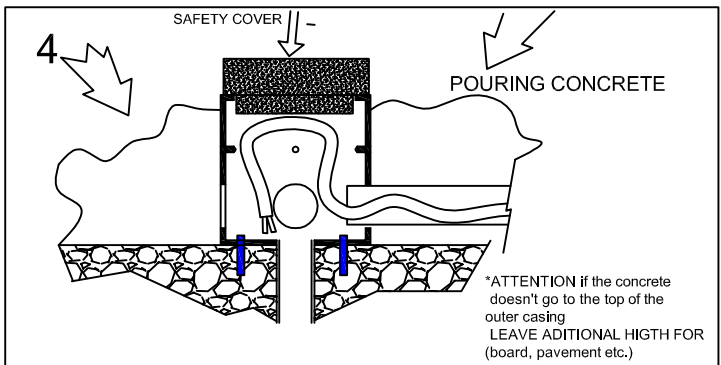
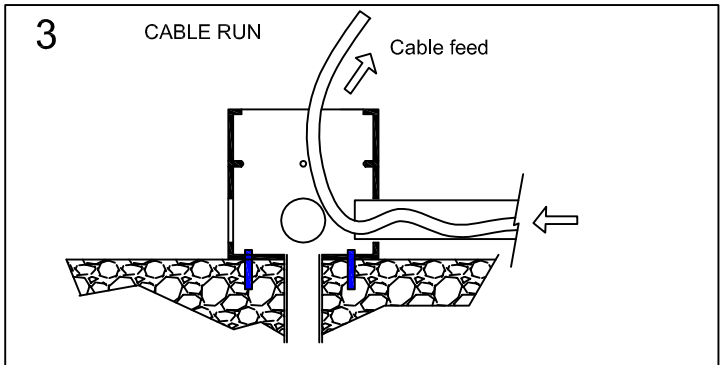
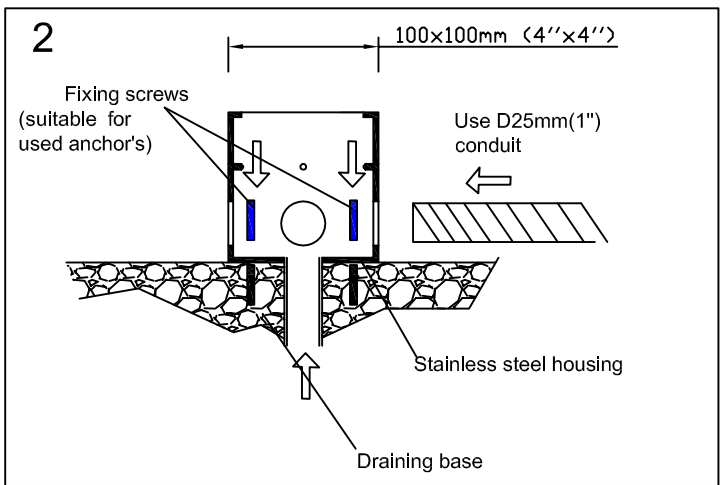
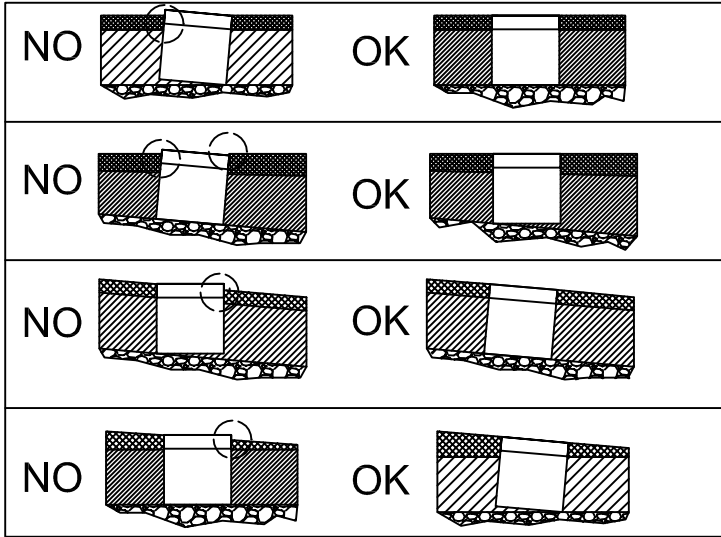
When floor is finished safety cover must be level with it!!
Caution when pouring material around the outer housing (which is set properly). Don't pour the material directly on the upper side of the outer housing. Check if all holes are properly sealed.

1



Use housing as pattern to drill holes for fixing screws.





WARRANTY

All products are factory tested and are guaranteed free from factory defect for a period of 3 years under following terms:

- Product has not been subject to physical or atmospheric damage.
- Product has been returned and factory evaluated for defect or malfunction.
- The luminaire factory seal (IP rating) has not been compromised

The manufacturer accepts no responsibility for damage to persons or property arising through improper use or installation.