

Edgeless Cove

The original continuous knife edge cove system featuring plaster-in precision for clean, minimal effect

- Delivers a continuous, even wash of directed light to the ceiling above, and redirected light to softly illuminate the back of the cove.
- Light source positioned for optimum horizontal spread of illumination.
- Light source is not visible from any viewing angle up to and including direct horizontal view.
- Satin Diffuser for high efficiency and soft edge beam without striations.
- Removable light source sub assembly for simple installation and maintenance.
- High efficiency linear LED in a range of outputs.
- Integral drivers and through wiring.
- Lengths and angles factory cut to exact field dimensions.
- Mitered corners available with continuous illumination.
- Made in the USA.

Housing Precision extruded aluminum for true dimensions and tolerances
Housing provided in any exact length
Unitized gear tray with LED and driver for easy final installation
Standard and tailored lengths
Corners: standard and non-standard
Finishes: RAL 9010 white 15% gloss
Optional clear dust cover

Integration Fixation into gypsum for minimal visual detail and true knife edge

Distribution Asymmetric forward throw with max. beam at 125 degrees
Redirected light for soft, even illumination of the ceiling and back wall
Snap-on diffuser standard

LED >90 CRI, 3-Step MacAdam, 2700-4000K white
3W - 13W per foot, 120 Lumens/watt average⁴
RA 91-94 (2700K - 4000K)
Conformal coated for protection against humidity standard

Driver Integral driver
Compatible with quality constant voltage drivers

Connectivity POE

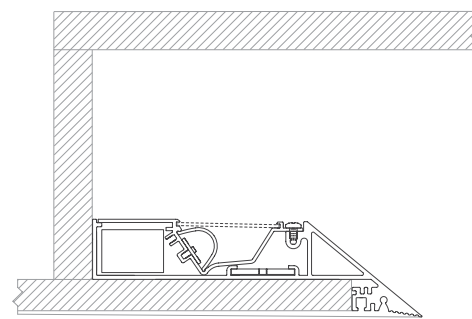
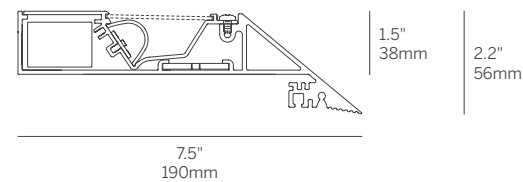
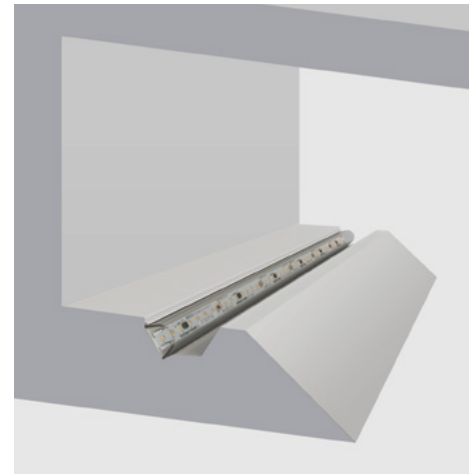
Weight 3lbs per foot

Operating Temp Suitable for operation in maximum ambient temperature of 35C (95F)

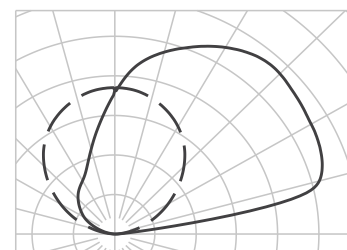
Warranty 5-year Limited (see complete company warranty information)

Certifications ETL and ETL-C for dry and damp location, CE

Voltages 120-277VAC, 347VAC



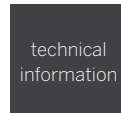
Gypsum Ceiling Mounting
4" minimum offset, 12" typical offset



Polar Plot

Efficiency	Power (W/FT)				
	73.4%	L 3W	M 6W	H 10W	XH 13W
CCT	2700K	276	552	920	1196
	3000K	276	552	920	1196
	3500K	282	563	938	1220
	4000K	282	563	938	1220

Lumens per foot (delivered)



Edgeless Cove

Model	Fixation	Pattern	Length	Power ³	CRI/CCT ⁴	Driver ⁵	Lens	Finish	Options
WG-EC	RPT	S ¹ PC ² PR ² PZ ²	A A x B A x B x C A x B x A x B	L M H XH	927 930 935 940	X S D010 L3DAE L3DOE DFPN	SSD (std) SDC	W (std) F	LEC REC LREC LWR RWR

Model

- WG-EC = Edgeless Cove

Fixation

- RPT = Recessed plaster trim

Pattern

- S = Straight run¹
- PC = Standard patterns coffer 2, 3 or 4 sided with 90° corners²
- PR = Standard patterns raft 2, 3 or 4 sided with 90° corners²
- PZ = Non-standard patterns and/or corners other than 90°, consult factory²

Length

- A, B, C = specify inches to the nearest 0.25" (i.e. 72.25") For patterns specify each length (i.e. 2 sided: A x B = 72.25" x 48"; 3 sided: A x B x C; 4 sided: A x B x A x B)

Power³

- L = 3W/ft low power (24V)
- M = 6W/ft medium power (24V)
- H = 10W/ft high power (24V)
- XH = 13W/ft extra high power (24V)

CRI / CCT⁴

- 90+ CRI minimum (Low/Mid/High/Extra High)
- 927 = 2700K, (276/552/920/1196 lm/ft)
- 930 = 3000K, (276/552/920/1196 lm/ft)
- 935 = 3500K, (282/563/938/1220 lm/ft)
- 940 = 4000K, (282/563/938/1220 lm/ft)

Driver (integral)⁵

- X = No driver, ordered separately
- S = Standard driver 120-277V
- D010 = Osram, 10%, 0-10V dimming, 120-277V
- L3DAE = Lutron Hi-lume 1% EcoSystem, 120-277V
- L3DOE = Lutron Hi-lume Premier 0.1% EcoSystem, 120-277V (remote)
- DFPN = Lutron Forward Phase 1%, 120VAC

Lens

- SSD = Snap On Satin Diffuser (standard)
- SDC = Satin Clear Dust Cover

Finish

- W = White, 15% gloss, RAL9010 (standard)
- F = Custom finish, specify RAL

Options

- LEC = Left end cap
- REC = Right end cap
- LREC = Left & Right end caps
- LWR = Left wall return
- RWR = Right wall return

Emergency Remote Only

- Emergency LED battery backup available, order separately.

Whitegoods reserves the right to change any information without prior notice.

Notes

- Standard setup assumes the cove ends at a perpendicular wall and the LED board is setback from the end to minimize light on the perpendicular wall. Contact us for options.
- See pattern specsheet.
- Wattage shown does not include power supplies/drivers.
- Delivered lumens with snap on satin diffuser shown.
- Integral driver, except L3DOE (remote only). See power supply page for details.

