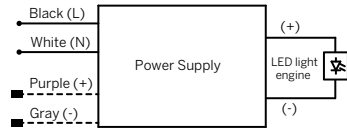


Wiring Diagrams

S (Standard non-dim)

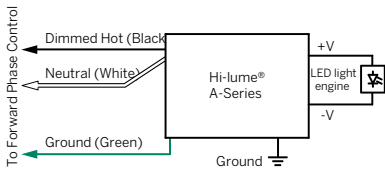


D010 (EldoLED 0-10V)



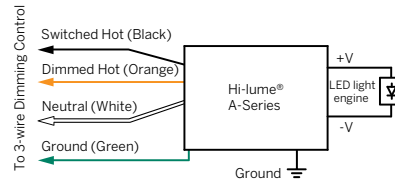
* ECO30W = 1 output
 ECO50W = 1 output
 SOLO50W = 2 outputs
 SOLO100W = 4 outputs

DFPN (1% Lutron forward phase with neutral)

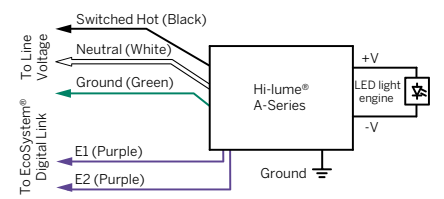


Note: Colors shown correspond to terminal blocks on driver.

DW3 (Lutron 1%, 3-wire)



DES (Lutron 1% EcoSystem® digital)



Note: Colors shown correspond to terminal blocks on driver.

Maximum recommended wiring distance

Wire gauge	Maximum Lead Length			
	Lutron		EldoLED	
	200 mA to 700 mA	710 mA to 1.50 A	1.51 A to 2.10 A	1.51 A to 2.10 A
#18AWG	30'	15'	10'	72'
#16AWG	35'	25'	15'	118'
#14AWG	50'	40'	25'	150'
#12AWG	100'	60'	40'	200'

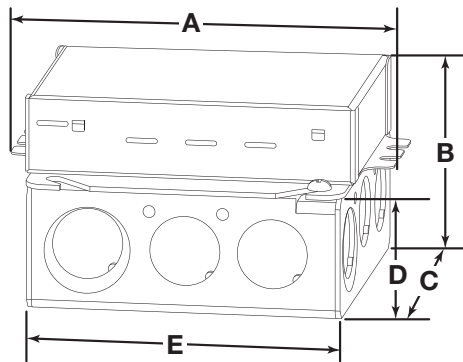
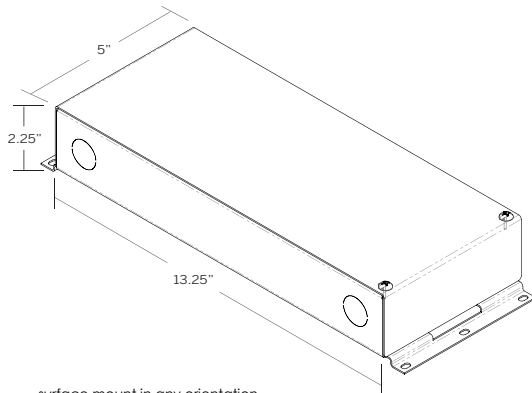
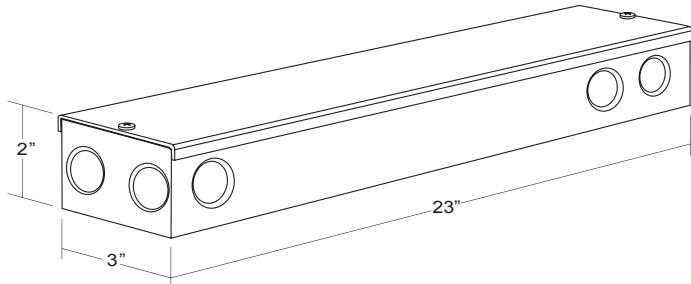
Actual Voltage drop to be calculated by installer

Notes

1. The exact number of drivers required will depend on the switching layout and the distance between the drivers and the fixtures.
2. Refer to maximum wire distance chart for additional wiring recommendations.

Enclosures (remote)

Standard enclosure supplied with products requiring remote power supply installation.



- A 4.89 in (124 mm)
- B 2.62 in (66 mm)
- C 4.00 in (102 mm)
- D 1.62 in (41 mm)
- E 4.00 in (102 mm)