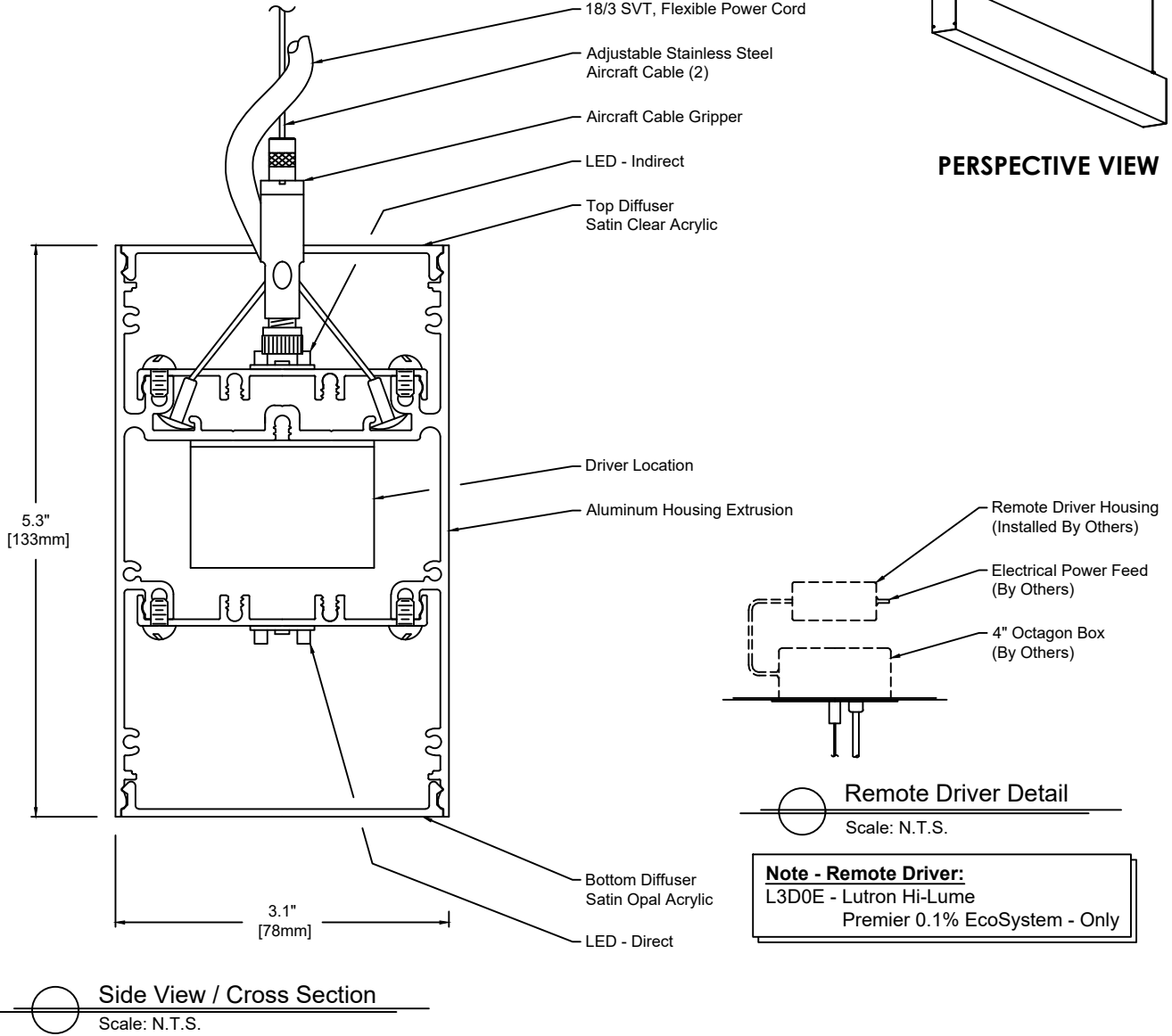


ClearLine - Pendant

TECHNICAL SHEET



Drawing 1 of 3

Fixture Weight : 3 lbs/ft

CL2	P	XX	MD	830	MI	830	U	S	SW - SA	16	SA - CC
Model	Type	Size	Wattage Direct	Color Temp.	Wattage Indirect	Color Temp.	Voltage	Control	Diffuser	Finish	Options
P - Pendant	36"	00	00	00	00	00	1 - 120 VAC only	S	SW - Satin Opal Acrylic (Bottom)	16 - Clear Anodized Aluminum	SA - Single Circuit
	48"	LD	827	LI	827	827	U - 120/277 V	D010	CB - Extruded Aluminum Cover (Bottom)	21 - Painted White - RAL 9010 Matte	DC - Dual Circuit
	60"	MD	830	MI	830	830		DFPN	SA - Satin Clear Acrylic (Top)	22 - Painted Custom Color	CC - Clear Insulated Cable (Standard)
	72"	HD	835	HI	835	835		L3DAE	CT - Extruded Aluminum Cover (Top)		WC - White Cable
	96"		840		840	840		L3D0E			BC - Black Cable

Wattage and Control

Control (Integral):
S - Non-Dim
D010 - 0-10V 10%
DFPN - Lutron Forward Phase 1%, 120VAC
L3DAE - Lutron Hi-Lume 1% EcoSystem

Control (Remote 24V):
L3D0E - Lutron Hi-Lume Premier 0.1% EcoSystem

For no direct or indirect light specify "00"

Wattage "LD or LI" - 3 Watt/foot
2,700K - 400 lm/foot
3,000K - 400 lm/foot
3,500K - 416 lm/foot
4,000K - 242 lm/foot

Wattage "MD or MI" - 6 Watt/foot
2,700K - 743 lm/foot
3,000K - 743 lm/foot
3,500K - 774 lm/foot
4,000K - 789 lm/foot

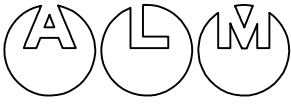
Wattage "HD or HI" - 10 Watt/foot
2,700K - 1,174 lm/foot
3,000K - 1,174 lm/foot
3,500K - 1,222 lm/foot
4,000K - 1,246 lm/foot

Technical Data:
Form - linear, Operating voltage: 24VDC
Color rendering index Ra min: 82 CRI, Available in 90 CRI
Viewing angle: 110°
Lifetime - L70: 60,000h
Working temperature: -20°C to 60°C (-4°F to 140°F)

Remote Driver:
Max. wiring distance / Load
Lutron
≤96W

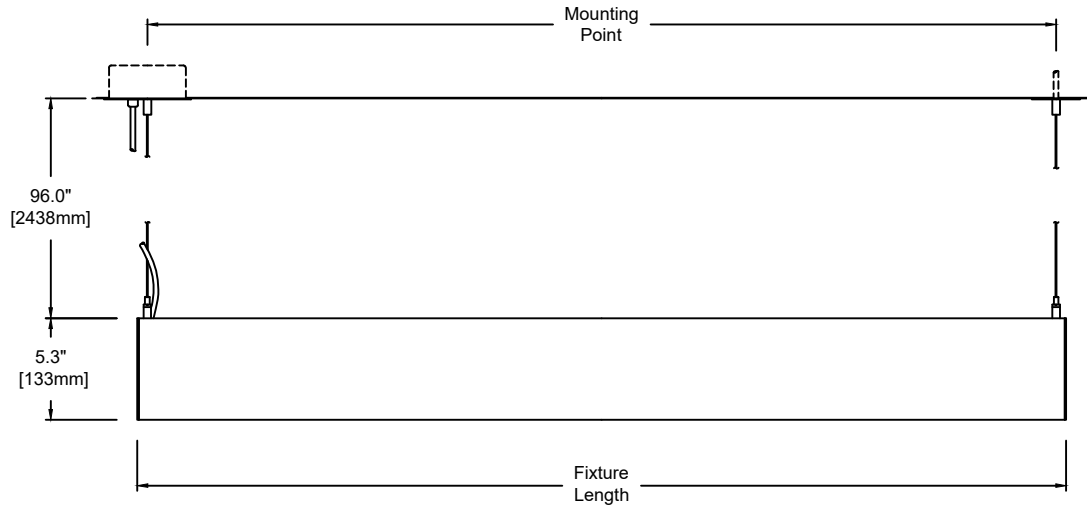
Wire Gauge
#18AWG 25'
#16AWG 40'
#14AWG 60'





ClearLine - Pendant

TECHNICAL SHEET



Elevation
Scale: N.T.S.



Reflected Plan
Scale: N.T.S.

Drawing 2 of 3

CL2	P	XX	MD	830	MI	830	U	S	SW - SA	16	SA - CC
Model	Type	Size	Wattage Direct	Color Temp.	Wattage Indirect	Color Temp.	Voltage	Control	Diffuser	Finish	Options
P - Pendant	36"	00	00	00	00	00	1 - 120 VAC only	S	SW - Satin Opal Acrylic (Bottom)	16 - Clear Anodized Aluminum	SA - Single Circuit
	48"	LD	827	LI	827	827	U - 120/277 V	D010	CB - Extruded Aluminum Cover (Bottom)	21 - Painted White - RAL 9010 Matte	DC - Dual Circuit
	60"	MD	830	MI	830	830		DFPN	SA - Satin Clear Acrylic (Top)		CC - Clear Insulated Cable (Standard)
	72"	HD	835	HI	835	835		L3DAE	CT - Extruded Aluminum Cover (Top)	22 - Painted Custom Color	WC - White Cable
	96"		840		840	840		L3D0E			BC - Black Cable

Wattage and Control

Control (Integral):
S - Non-Dim
D010 - 0-10V 10%
DFPN - Lutron Forward Phase 1%, 120VAC
L3DAE - Lutron Hi-Lume 1% EcoSystem

Control (Remote 24V):
L3D0E - Lutron Hi-Lume Premier 0.1% EcoSystem

For no direct or indirect light specify "00"

Wattage "LD or LI" - 3 Watt/foot
2,700K - 400 lm/foot
3,000K - 400 lm/foot
3,500K - 416 lm/foot
4,000K - 242 lm/foot

Wattage "MD or MI" - 6 Watt/foot
2,700K - 743 lm/foot
3,000K - 743 lm/foot
3,500K - 774 lm/foot
4,000K - 789 lm/foot

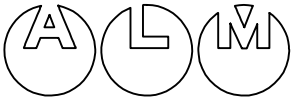
Wattage "HD or HI" - 10 Watt/foot
2,700K - 1,174 lm/foot
3,000K - 1,174 lm/foot
3,500K - 1,222 lm/foot
4,000K - 1,246 lm/foot

Technical Data:
Form - linear, Operating voltage: 24VDC
Color rendering index Ra min: 82 CRI, Available in 90 CRI
Viewing angle: 110°
Lifetime - L70: 60,000h
Working temperature: -20°C to 60°C (-4°F to 140°F)

Remote Driver:
Max. wiring distance / Load
Lutron
≤96W

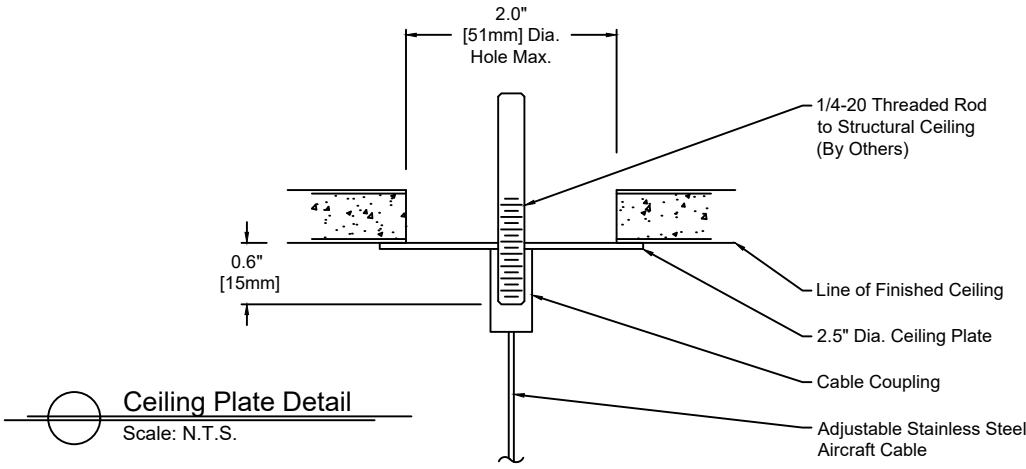
Wire Gauge
#18AWG 25'
#16AWG 40'
#14AWG 60'



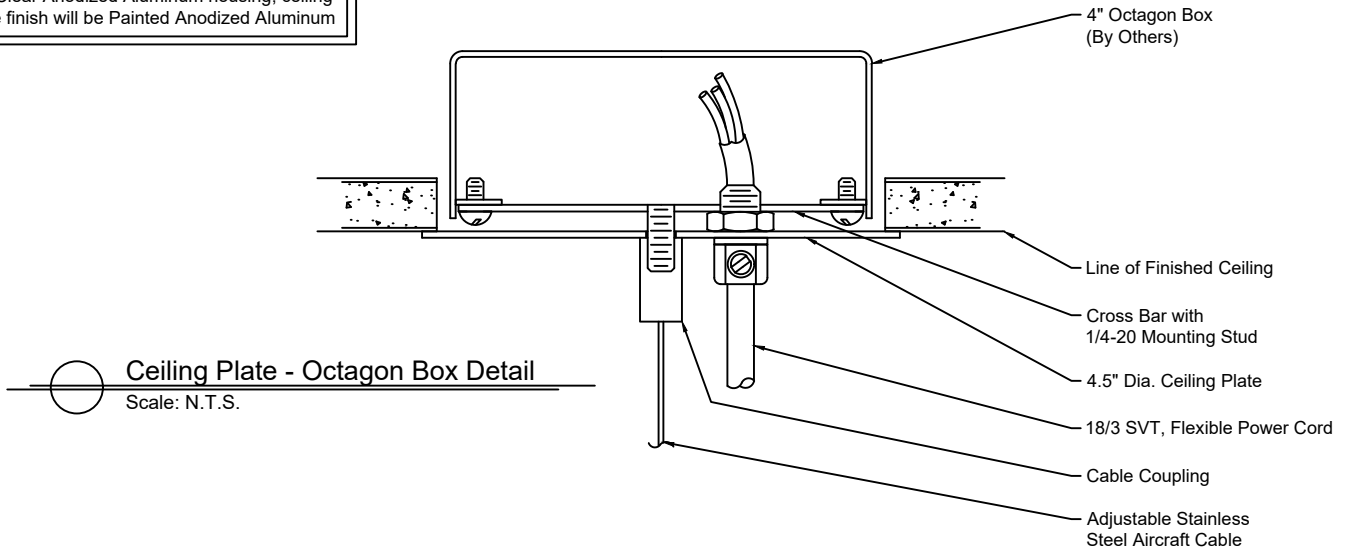


ClearLine - Pendant

TECHNICAL SHEET



Ceiling Plate finish:
 - Ceiling Plate finish matches housing
 - For Clear Anodized Aluminum housing, ceiling plate finish will be Painted Anodized Aluminum



Drawing 3 of 3

CL2	P	XX	MD	830	MI	830	U	S	SW - SA	16	SA - CC
Model	Type	Size	Wattage Direct	Color Temp.	Wattage Indirect	Color Temp.	Voltage	Control	Diffuser	Finish	Options
	P - Pendant	36" 48" 60" 72" 96"	00 LD MD HD	00 827 830 835 840	00 LI MI HI	00 827 830 835 840	1 - 120 VAC only U - 120/277 V	S D010 DFPN L3DAE L3D0E	SW - Satin Opal Acrylic (Bottom) CB - Extruded Aluminum Cover (Bottom) SA - Satin Clear Acrylic (Top) CT - Extruded Aluminum Cover (Top)	16 - Clear Anodized Aluminum 21 - Painted White - RAL 9010 Matte 22 - Painted Custom Color	SA - Single Circuit DC - Dual Circuit CC - Clear Insulated Cable (Standard) WC - White Cable BC - Black Cable

Wattage and Control

Control (Integral):
 S - Non-Dim
 D010 - 0-10V 10%
 DFPN - Lutron Forward Phase 1%, 120VAC
 L3DAE - Lutron Hi-Lume 1% EcoSystem

Control (Remote 24V):
 L3D0E - Lutron Hi-Lume Premier 0.1% EcoSystem

For no direct or indirect light specify "00"

Wattage "LD or LI" - 3 Watt/foot
 2,700K - 400 lm/foot
 3,000K - 400 lm/foot
 3,500K - 416 lm/foot
 4,000K - 242 lm/foot

Wattage "MD or MI" - 6 Watt/foot
 2,700K - 743 lm/foot
 3,000K - 743 lm/foot
 3,500K - 774 lm/foot
 4,000K - 789 lm/foot

Wattage "HD or HI" - 10 Watt/foot
 2,700K - 1,174 lm/foot
 3,000K - 1,174 lm/foot
 3,500K - 1,222 lm/foot
 4,000K - 1,246 lm/foot

Technical Data:
 Form - linear, Operating voltage: 24VDC
 Color rendering index Ra min: 82 CRI, Available in 90 CRI
 Viewing angle: 110°
 Lifetime - L70: 60,000h
 Working temperature: -20°C to 60°C (-4°F to 140°F)

Remote Driver:
 Max. wiring distance / Load
 Lutron
 ≤96W

Wire Gauge
 #18AWG 25'
 #16AWG 40'
 #14AWG 60'

