

INSTALLATION INSTRUCTION

ARPOOL S HOUSING

All dimensions are given according to the SI system of units (mm, kg, °C), additional dimensions that are written in brackets, are given according to the U.S. measurement system (in, lbs, °F).

GENERAL REMARKS ON SAFETY



- Read all of these instructions before installing fixtures.
- Keep all of the instructions for future reference.
- Turn off power before installing fixture.
- Installation is to be performed by a qualified electrician only.
- All installations are to conform to the standards of the National Electrical Code as well as all local jurisdictional codes and regulations.
- Any modification of the luminaire will void any and all written or implied warranties.
- Do not open the fixture - this will void the IP rating.
- The manufacturer accepts no responsibility for damage to persons or property arising through improper use or installation.

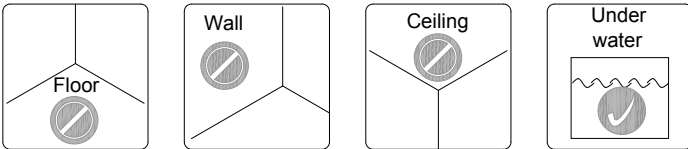
WARRANTY



- All products are factory tested and are guaranteed free from factory defect for a period of 3 years under following terms:
- Product has not been subject to incorrect voltage or polarity connection.
 - Product has not been subject to physical or atmospheric damage.
 - Product has been returned and factory evaluated for defect or malfunction.
 - All drivers and controllers are approved for use by FILIX.
 - The luminaire factory seal (IP rating) has not been compromised

The manufacturer accepts no responsibility for damage to persons or property arising through improper use or installation.

POSSIBLE INSTALLATION POSITIONS



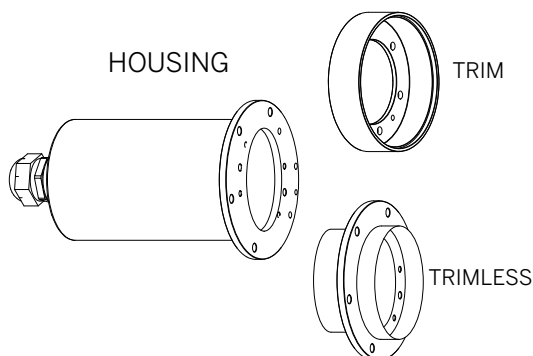
*Do not expose to a static load



When installing fixture outer housing must be used.

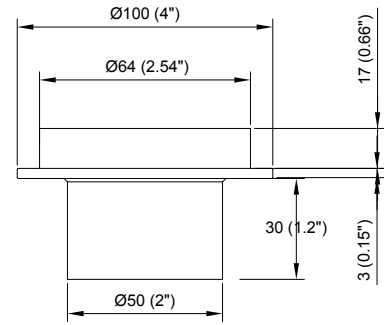


This product must be installed in accordance with the applicable installation code by a person familiar with the construction and operation of the product and the hazards involved.

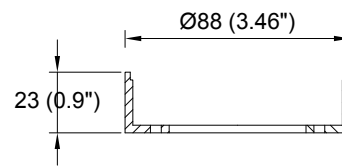


INSTALLATION GUIDE

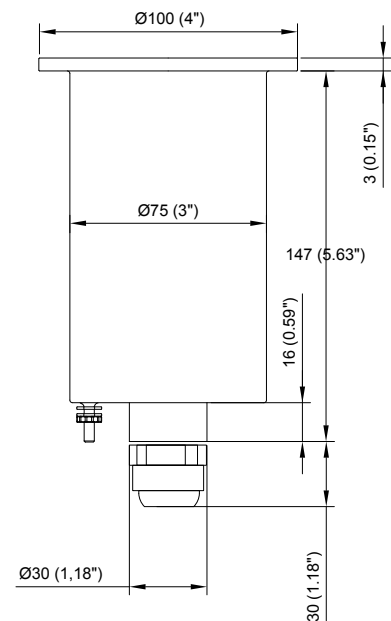
ARPOOL S TRIMLESS OUTER HOUSING TRIMLESS ADAPTER DIMENSIONS



ARPOOL S TRIM OUTER HOUSING ADAPTER DIMENSIONS



ARPOOL S INSTALLATION HOUSING DIMENSIONS



LEGEND

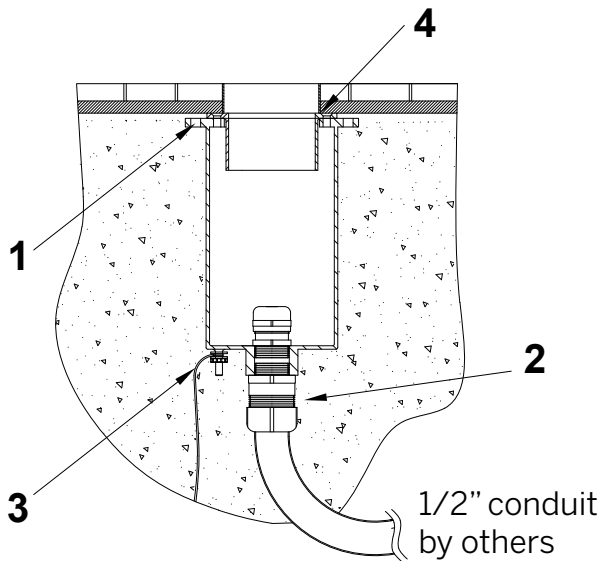
	Attention Info		Confirmation Mark		Impact resistance range		Safety
	Electrical Info		Ingress protection		Pictures/ drawings		Exclusion
	Humidity Info		Temperature range		Power supply type		Material Type
	Luminaries		Underwater fixture		Docs / certifications		
	Outer housings		Pressure range		Mechanical		



TRIMLESS INSTALLATION

1. Attach the Arpool installation housing to the form work with screws M4x60 or nails
 2. Attach conduit to connector(Gland)
 3. Connect grounding to installation housing
 4. When form work is removed place rubber gasket and trimless flange on the installation housing.
- Once placed fasten with screws M4x20 A4 (included 8 pcs)

IMPORTANT SUGGESTION: It is advised that the thickness of tile+mortar equals the thickness of trimless flange and rubber seal



TRIM TILES INSTALLATION (T)

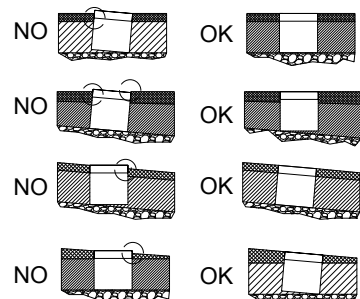
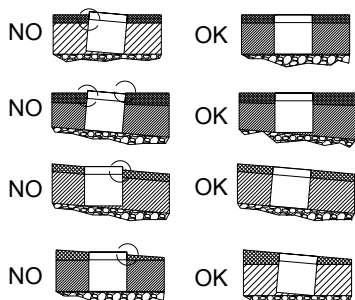
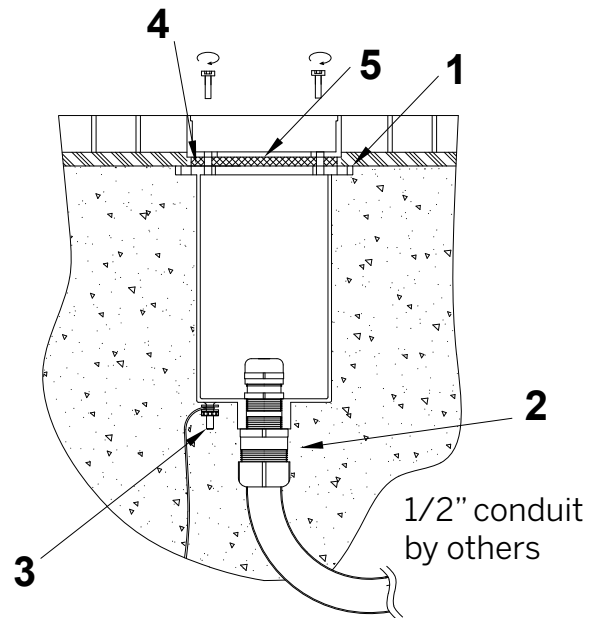
1. Attach the Arpool installation housing to the formwork with screws M4x60 or nails

VERY IMPORTANT!

Use drilling template from the manual. Template will ensure proper installation housing positioning with fixture installation holes at 9 and 3 hours

2. Attach conduit to connector(Gland)
3. Connect grounding to installation housing
4. When formwork is removed place rubber gasket and trimless flange on the installation housing. Once placed fasten with screws M4x20 A4(included 8 pcs)
5. Remove additional rubber from inside housing before installing fixture

IMPORTANT SUGGESTION: It is advised that the thickness of tile+mortar equals the thickness of trimless flange and rubber seal



LEGEND

- Attention Info
- Electrical Info
- Humidity Info
- Luminaries
- Outer housings
- Confirmation Mark
- Ingress protection
- Temperature range
- Underwater fixture
- Pressure range
- Impact resistance range
- Pictures/ drawings
- Power supply type
- Docs / certifications
- Mechanical
- Safety
- Exclusion
- Material Type

