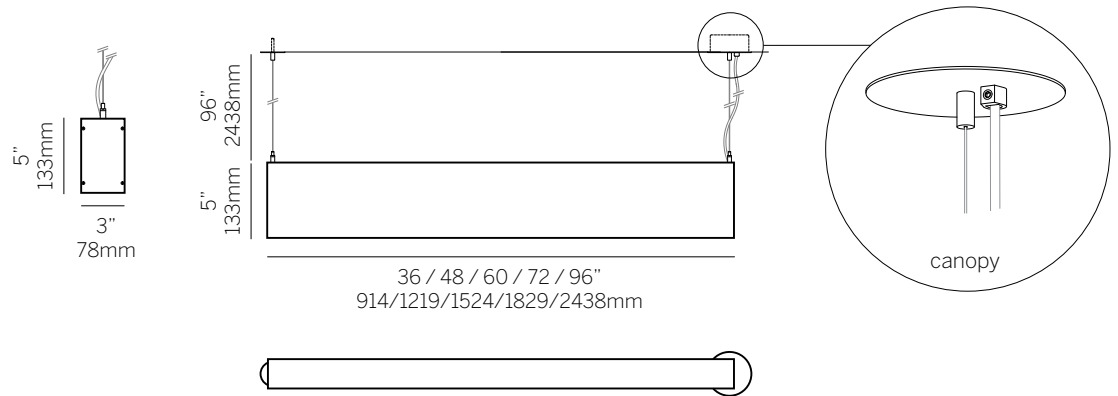


Clearline Pendant

The Clearline pendant is designed for direct and indirect illumination in offices or reception desks. Accent downlights are provided with independent control circuit to accent surfaces below.



Model CL2

Type

P Pendant

Size

36 36"

48 48"

60 60"

72 72"

96 96"

Custom

Wattage¹

direct²

indirect²

36"

LD 9W (1200lm)

MD 18W (2229lm)

HD 30W (3522lm)

48"

LD 12W (1600lm)

MD 24W (2972lm)

HD 40W (4696lm)

60"

LD 15W (2000lm)

MD 30W (3715lm)

HD 50W (5870lm)

72"

LD 18W (2400lm)

MD 36W (4458lm)

HD 60W (7044lm)

96"

LD 24W (3200lm)

MD 48W (5944lm)

HD 80W (9392lm)

LI 9W (1200lm)

MI 18W (2229lm)

HI 30W (3522lm)

LI 12W (1600lm)

MI 24W (2972lm)

HI 40W (4696lm)

LI 15W (2000lm)

MI 30W (3715lm)

HI 50W (5870lm)

LI 18W (2400lm)

MI 36W (4458lm)

HI 60W (7044lm)

LI 24W (3200lm)

MI 48W (5944lm)

HI 80W (9392lm)

CL2

P

Color Temp³

827 2700

830 3000

835 3500

840 4000

Voltage

U 120/277

1 120VAC only

Control (24V)

S Non-dim (Integral)

D010 0-10V 10% (Integral)

DFPN Lutron Forward Phase 1%
120VAC (Integral)

L3DAE Lutron Hi-lume 1% EcoSystem
(Integral)

L3DOE Lutron Hi-lume Premier 0.1%
EcoSystem (Remote)

Diffuser

SW Satin opal acrylic (bottom)

CB Extruded aluminum cover (bottom)

SA Satin clear acrylic (top)

CT Extruded aluminum cover (top)

Finish⁴

16 Clear anodized aluminum

21 Painted white - RAL 9010 matte

22 Painted custom color

Options

AM Accent module
(see page 41 for details)

SC Single circuit

DC Dual circuit

CC Clear insulated cable (standard)⁵

WC White cable

BC Black cable

Notes

¹Nominal lumens

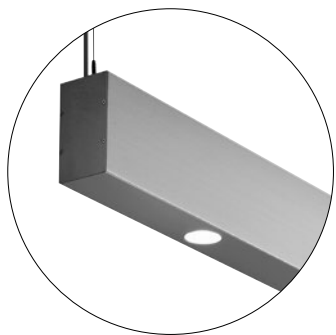
²For no direct or indirect light specify 00

³82 CRI standard / 90 CRI available

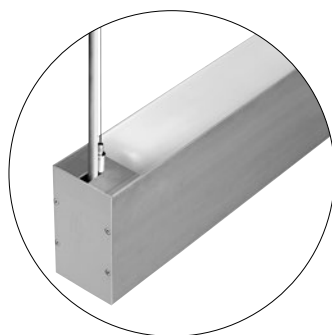
⁴Canopy finish matches housing

⁵96" clear insulated cable standard

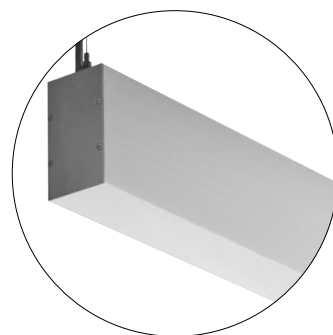




Accent



Indirect



Direct