

WARNING:
INSTALL PRODUCT IN ACCORDANCE WITH LOCAL AND NATIONAL ELECTRICAL CODES BY A QUALIFIED ELECTRICIAN.

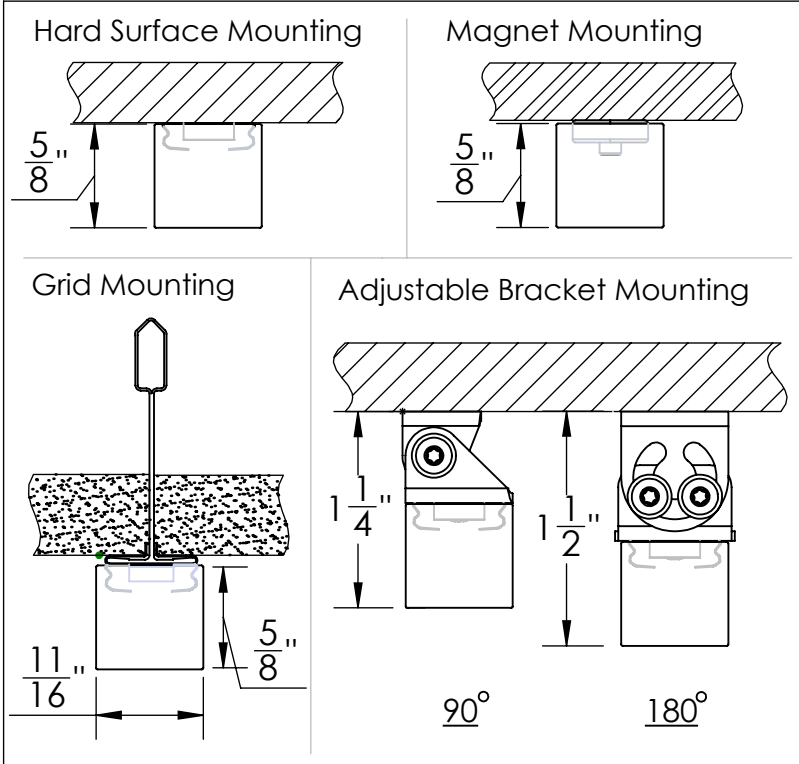
WARNING:
FAILURE TO COMPLY WITH THE INSTALLATION INSTRUCTIONS MAY RESULT IN DEATH OR SERIOUS INJURY.

WARNING:
READ ALL SAFETY INSTRUCTIONS INCLUDED WITH LUMINAIRE BEFORE INSTALLING LUMINAIRE. SAVE INSTRUCTIONS FOR FUTURE USE.

CAUTION:
THIS IS AN ELECTRONIC DEVICE. CARE MUST BE TAKEN DURING STORAGE AND HANDLING. STORE IN A CLEAN, COOL AND DRY LOCATION. ELECTROSTATIC DISCHARGE (ESD) CAN HARM THIS PRODUCT. AVOID STATIC DISCHARGE WHILE HANDLING THIS PRODUCT.

CAUTION:
INTER-LUX IS NOT RESPONSIBLE FOR THE STRUCTURAL INTEGRITY OF THE BUILDING TO SUPPORT THE LUMINAIRE. ADDITIONAL BACKING MAY BE REQUIRED.

Mounting Dimensions



Isometric View

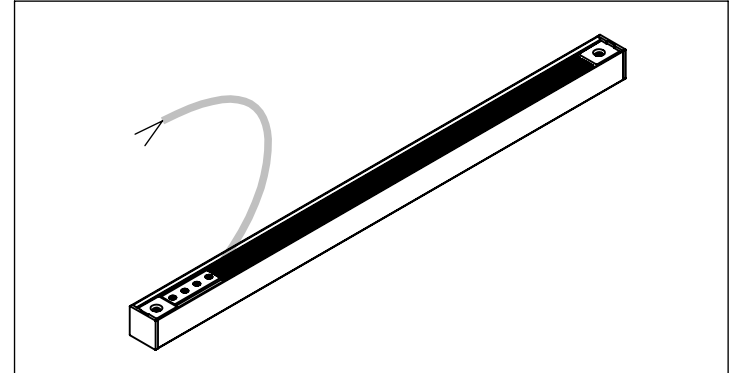
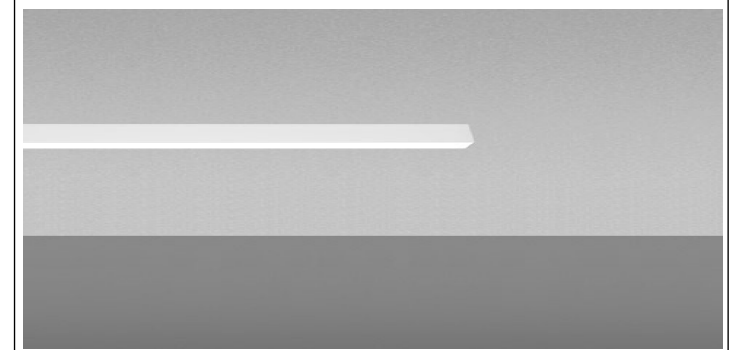
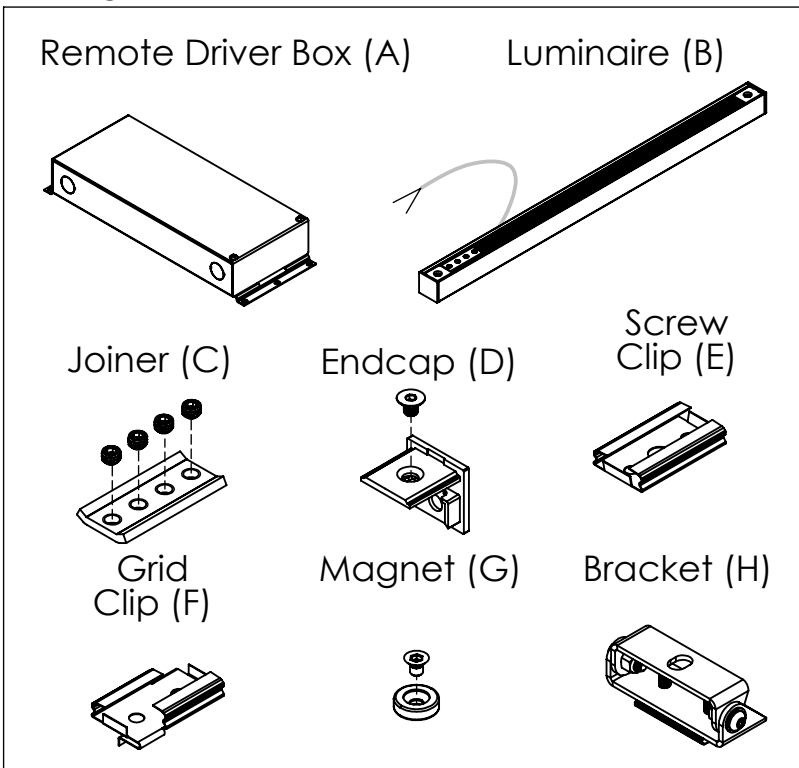


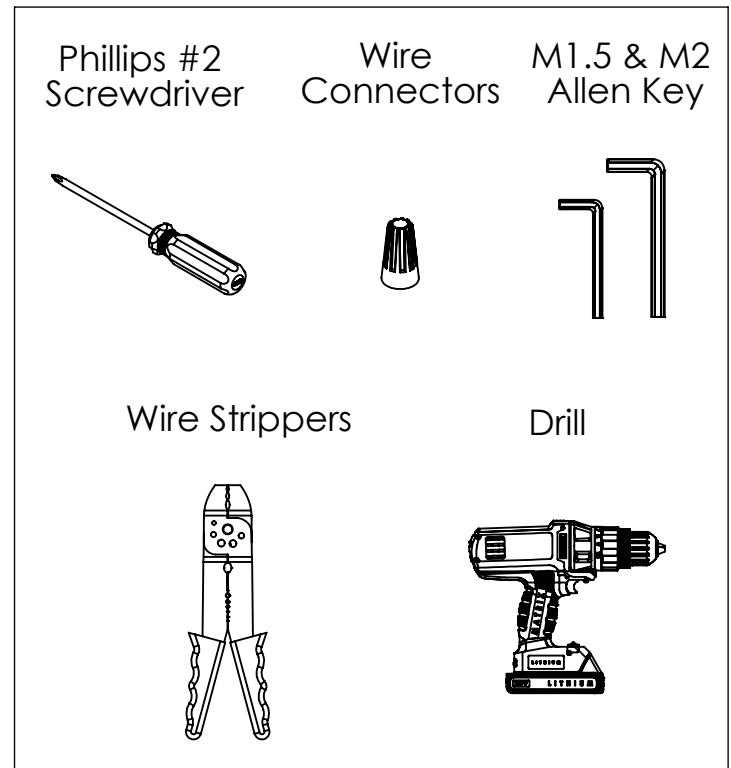
Photo Rendering



Package Includes:



Items needed (supplied by others)





WARNING:

INSTALL PRODUCT IN ACCORDANCE WITH LOCAL AND NATIONAL ELECTRICAL CODES BY A QUALIFIED ELECTRICIAN.



WARNING:

FAILURE TO COMPLY WITH THE INSTALLATION INSTRUCTIONS MAY RESULT IN DEATH OR SERIOUS INJURY.



WARNING:

READ ALL SAFETY INSTRUCTIONS INCLUDED WITH LUMINAIRE BEFORE INSTALLING LUMINAIRE. SAVE INSTRUCTIONS FOR FUTURE USE.

CAUTION:

THIS IS AN ELECTRONIC DEVICE. CARE MUST BE TAKEN DURING STORAGE AND HANDLING. STORE IN A CLEAN, COOL AND DRY LOCATION. ELECTROSTATIC DISCHARGE (ESD) CAN HARM THIS PRODUCT. AVOID STATIC DISCHARGE WHILE HANDLING THIS PRODUCT.

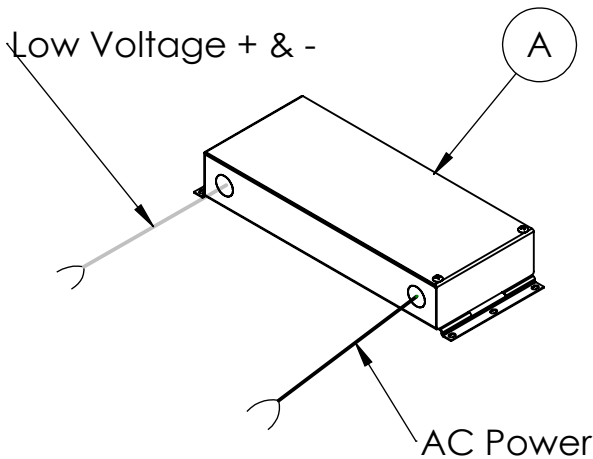
CAUTION:

INTER-LUX IS NOT RESPONSIBLE FOR THE STRUCTURAL INTEGRITY OF THE BUILDING TO SUPPORT THE LUMINAIRE. ADDITIONAL BACKING MAY BE REQUIRED.

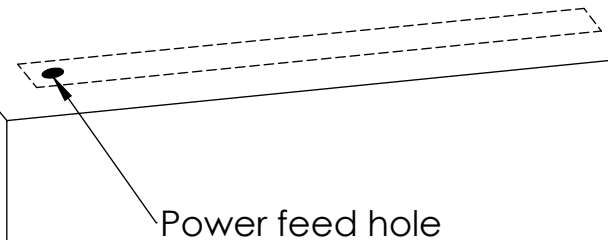
INSTALLATION INSTRUCTIONS

LOCATE AND REVIEW ANY CONSTRUCTION PLANS AND INTER-LUX RECORD DRAWINGS FOR ALL FIXTURE RUNS. IT IS RECOMMENDED TO LOCATE AND LAY OUT ALL COMPONENTS FOR EACH FIXTURE "RUN". A FIXTURE RUN TYPICALLY CONSISTS OF JOINERS, LENGTHS OF HOUSING, AND ENDCAPS. BE SURE TO IDENTIFY ALL CORRECT LENGTHS FOR EACH FIXTURE RUN.

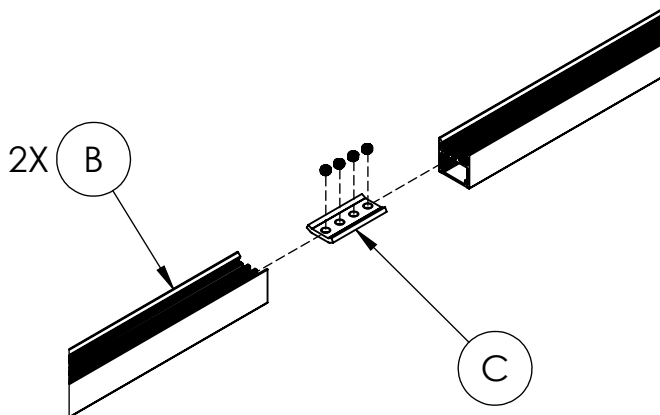
Step 1; Remote Drivers: Turn off Power Before Installation. Install Remote Drivers (A) and make connections to AC power and Low Voltage cables. Then run Low Voltage cables to future position of Luminaire (B).



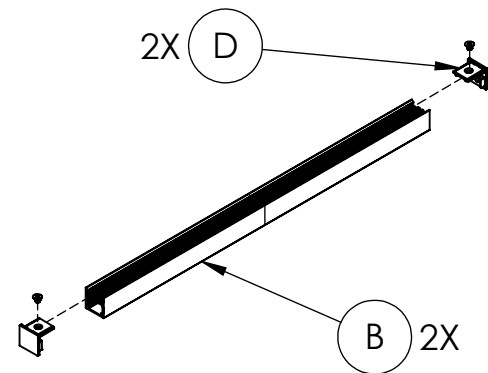
Step 2; Prepare ceiling: Mark the future position of the fixture on the ceiling. Then, drill adequate sized power feed hole in ceiling which aligns with cable of Luminaire (B).



Step 3; Install Joiners: If your order consists of stand alone fixtures, skip this step. If not, connect Luminares (B) to each other using supplied Joiner Kits (C). Slide Joiner into channel and push Luminares (B) together, then center Joiner on joint and drive screws into Joiner.



Step 4; Install End Caps: If your order is comprised of stand alone fixtures, they will come with End Caps (D) pre-installed. If it is a continuous run, you will need to install the provided End Caps (D) in the field, at the ends of each run of Luminares (B).





WARNING:

INSTALL PRODUCT IN ACCORDANCE WITH LOCAL AND NATIONAL ELECTRICAL CODES BY A QUALIFIED ELECTRICIAN.



WARNING:

FAILURE TO COMPLY WITH THE INSTALLATION INSTRUCTIONS MAY RESULT IN DEATH OR SERIOUS INJURY.



WARNING:

READ ALL SAFETY INSTRUCTIONS INCLUDED WITH LUMINAIRE BEFORE INSTALLING LUMINAIRE. SAVE INSTRUCTIONS FOR FUTURE USE.

CAUTION:

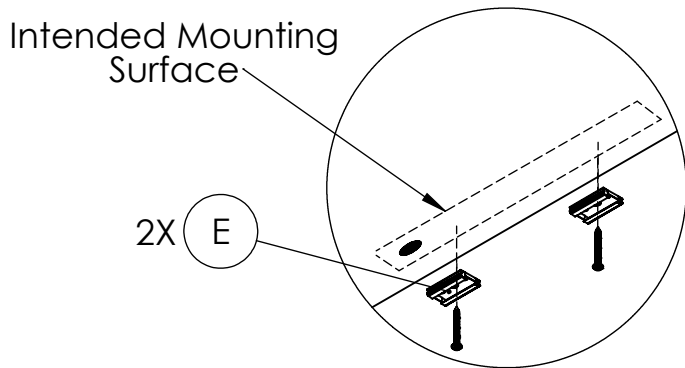
THIS IS AN ELECTRONIC DEVICE. CARE MUST BE TAKEN DURING STORAGE AND HANDLING. STORE IN A CLEAN, COOL AND DRY LOCATION. ELECTROSTATIC DISCHARGE (ESD) CAN HARM THIS PRODUCT. AVOID STATIC DISCHARGE WHILE HANDLING THIS PRODUCT.

CAUTION:

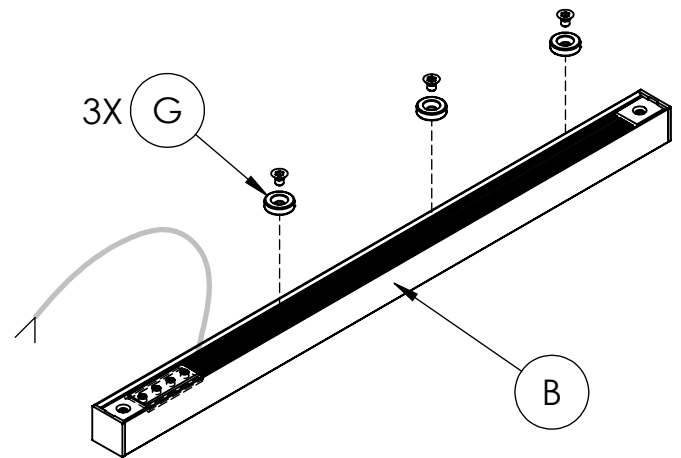
INTER-LUX IS NOT RESPONSIBLE FOR THE STRUCTURAL INTEGRITY OF THE BUILDING TO SUPPORT THE LUMINAIRE. ADDITIONAL BACKING MAY BE REQUIRED.

Step 5; Installation of Mounting Hardware: There are four methods to install the luminaire with different mounting hardware. These methods are shown below. Proceed with the method specified for this project.

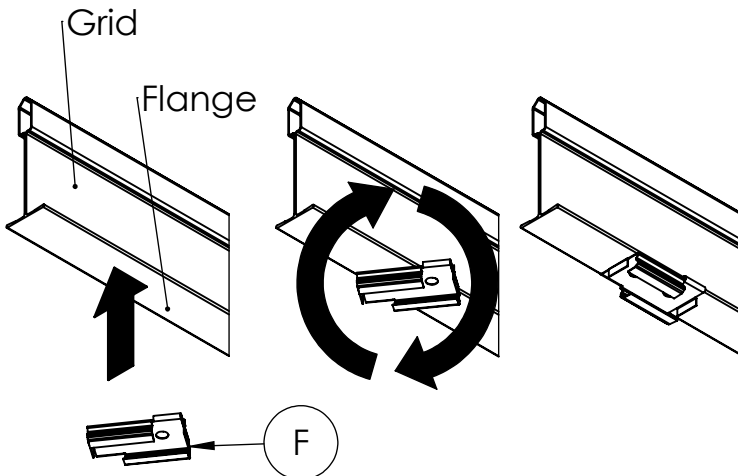
5A: Screw Clip Mounting. If screw clips mounting was specified, fasten provided clips, evenly spaced, to intended mounting surface (see below).



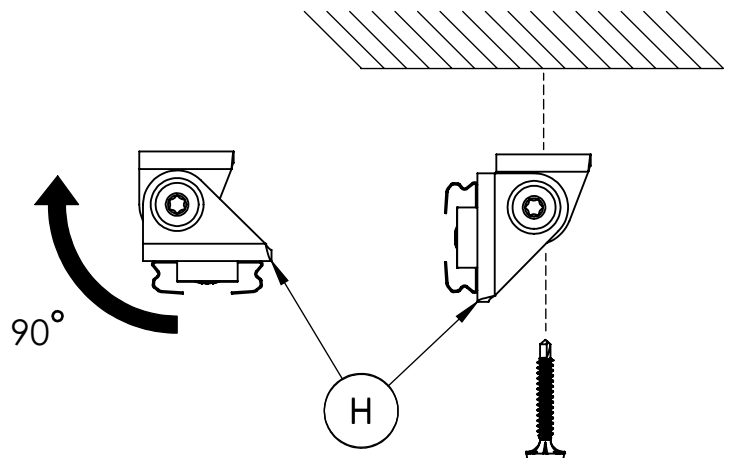
5B: Magnetic Surface Mounting. If magnet mounting was specified, fasten provided magnets, evenly spaced, to backside of luminaire (B).



5C: Grid Ceiling Mounting. If grid ceiling mounting was specified, push grid clips, evenly spaced, onto grid at an angle, then twist to lock in place.



5D: Mounting with Bracket. If adjustable brackets were specified, bend the brackets 90 degrees, then, with even spacing, screw the brackets onto the intended mounting surface.



WARNING:
INSTALL PRODUCT IN ACCORDANCE
WITH LOCAL AND NATIONAL ELECTRICAL
CODES BY A QUALIFIED ELECTRICIAN.

WARNING:
FAILURE TO COMPLY WITH THE
INSTALLATION INSTRUCTIONS MAY
RESULT IN DEATH OR SERIOUS INJURY.

WARNING:
READ ALL SAFETY INSTRUCTIONS
INCLUDED WITH LUMINAIRE BEFORE
INSTALLING LUMINAIRE. SAVE
INSTRUCTIONS FOR FUTURE USE.

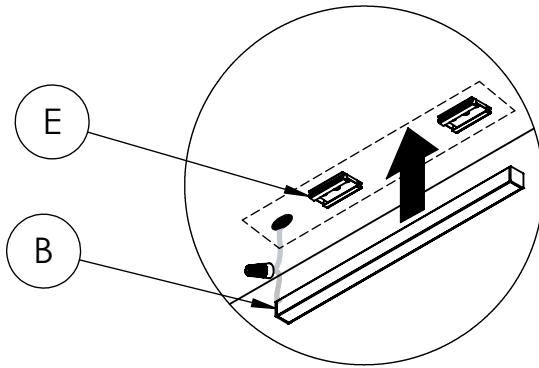
CAUTION:
THIS IS AN ELECTRONIC DEVICE. CARE MUST BE TAKEN
DURING STORAGE AND HANDLING. STORE IN A CLEAN, COOL
AND DRY LOCATION. ELECTROSTATIC DISCHARGE (ESD) CAN
HARM THIS PRODUCT. AVOID STATIC DISCHARGE WHILE
HANDLING THIS PRODUCT.

CAUTION:
INTER-LUX IS NOT RESPONSIBLE FOR THE
STRUCTURAL INTEGRITY OF THE BUILDING TO
SUPPORT THE LUMINAIRE. ADDITIONAL BACKING
MAY BE REQUIRED.

Step 6; Installation of Luminaire and testing: The following steps are continuations of the processes started in step 5. Follow the same letter from before to finish the installation of the specified mounting method.

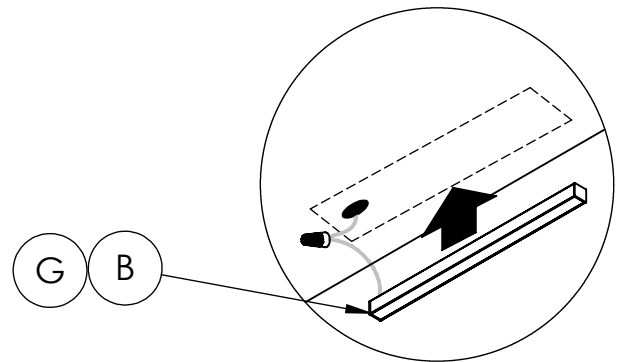
6A; Installation of Luminaire on Hard Surface.

Pull low voltage cables of Driver (A) through power feed hole, and connect to luminaire (B) wires. Then, gently press the Luminaire (B) onto Screw Clips (E) until they snap together properly. Finally, power luminaire (B) to ensure proper operation.



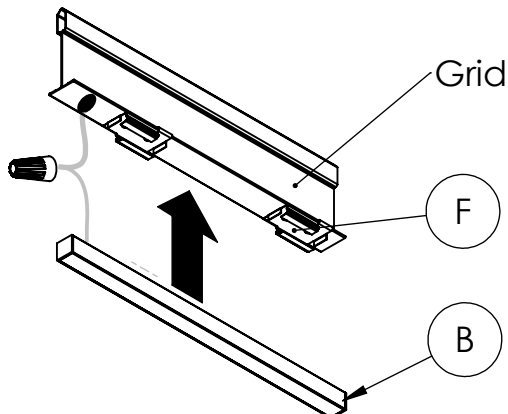
6B; Installation of Luminaire on Ferrous surface.

After fastening of magnets (G) onto Luminaire (B), pull low voltage cables of Driver (A) through the power feed hole, and connect to Luminaire (B) wires. Then, gently attach magnets to surface as shown below. Finally, power luminaire (B) to ensure proper operation.



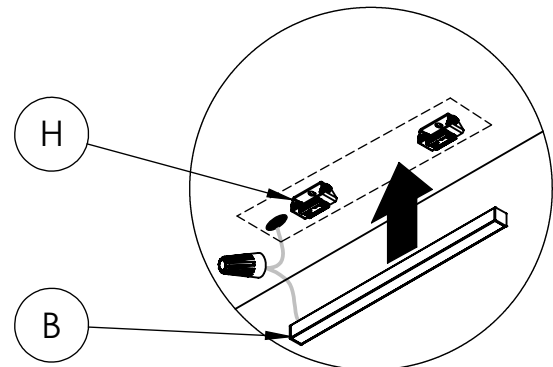
6C; Installation of Luminaire on Grid Ceiling.

Pull low voltage cables of Driver (A) through power feed hole, and connect to luminaire (B) wires. Then, gently press the Luminaire (B) onto Grid Clips (F) until they snap together properly. Finally, power luminaire (B) to ensure proper operation.



6D; Installation of Luminaire on Adjustable Bracket.

Pull low voltage cables of Driver (A) through power feed hole, and connect to luminaire (B) wires. Then, gently press the Luminaire (B) onto bracket clips (H) until they snap together properly. Finally, power luminaire (B) to ensure proper operation.



WARNING:
INSTALL PRODUCT IN ACCORDANCE WITH LOCAL AND NATIONAL ELECTRICAL CODES BY A QUALIFIED ELECTRICIAN.

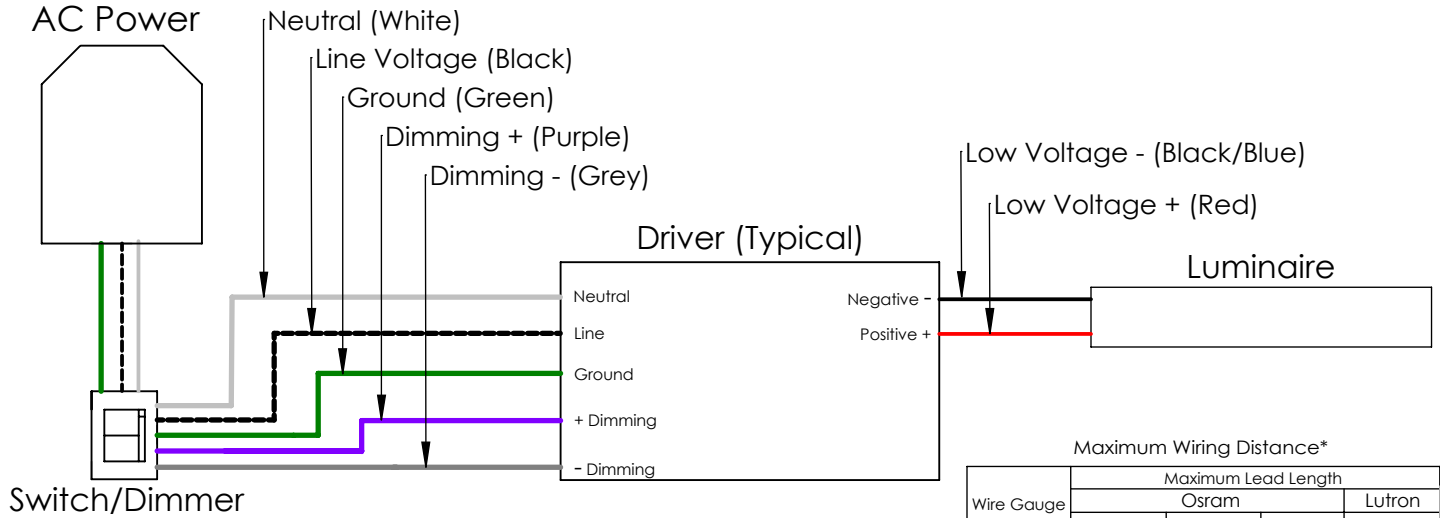
WARNING:
FAILURE TO COMPLY WITH THE INSTALLATION INSTRUCTIONS MAY RESULT IN DEATH OR SERIOUS INJURY.

WARNING:
READ ALL SAFETY INSTRUCTIONS INCLUDED WITH LUMINAIRE BEFORE INSTALLING LUMINAIRE. SAVE INSTRUCTIONS FOR FUTURE USE.

CAUTION:
THIS IS AN ELECTRONIC DEVICE. CARE MUST BE TAKEN DURING STORAGE AND HANDLING. STORE IN A CLEAN, COOL AND DRY LOCATION. ELECTROSTATIC DISCHARGE (ESD) CAN HARM THIS PRODUCT. AVOID STATIC DISCHARGE WHILE HANDLING THIS PRODUCT.

CAUTION:
INTER-LUX IS NOT RESPONSIBLE FOR THE STRUCTURAL INTEGRITY OF THE BUILDING TO SUPPORT THE LUMINAIRE. ADDITIONAL BACKING MAY BE REQUIRED.

Wiring Key



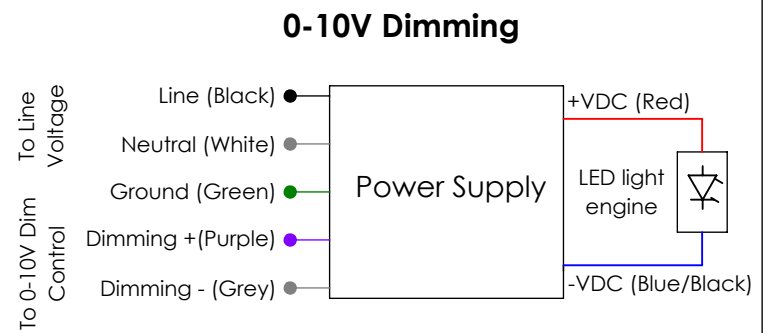
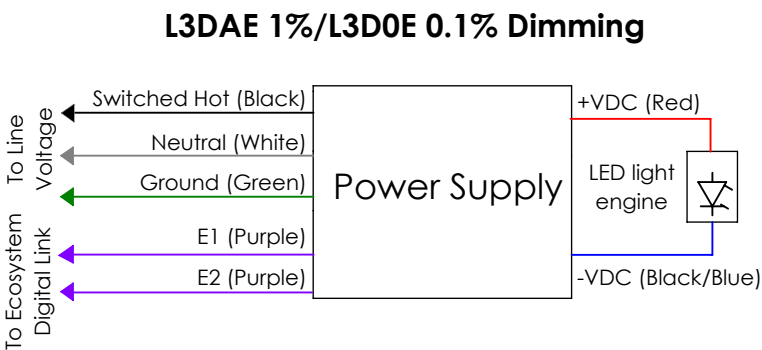
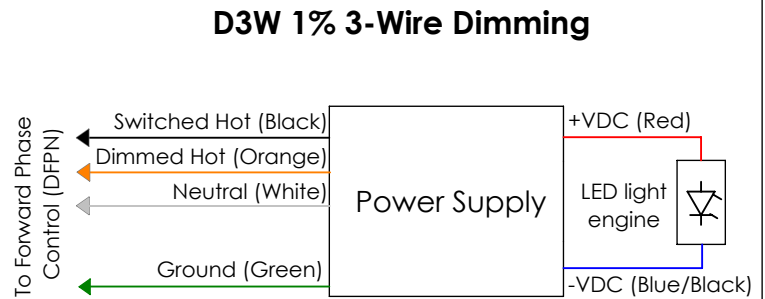
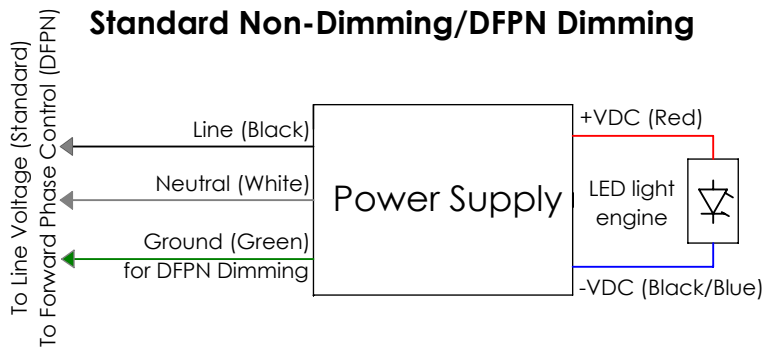
Red	Blue/Black	Green	Black	White	Purple	Grey
Positive	Negative	Ground	Line	Neutral	Dimming +	Dimming -

Maximum Wiring Distance*

Wire Gauge	Maximum Lead Length			
	≤ 48W	≤ 72W	≤ 96W	≤ 40W
# 18AWG	37'	25'	18'	15'
# 16AWG	59'	39'	29'	25'
# 14AWG	95'	63'	47'	40'
# 12AWG	151'	101'	75'	60'

*Actual Voltage drop to be calculated by installer

Driver Wiring Diagrams



NOTE: ALL SHOWN DRIVERS ARE INTER-LUX PROVIDED. FOR NON INTER-LUX PROVIDED DRIVERS PLEASE REFER TO DRIVER MANUFACTURERS. THE USE OF NON INTER-LUX PROVIDED DRIVERS VOIDS PRODUCT WARRANTY.