

# B100 LED

## Installation Instructions for Hard Ceilings

### Fixture Installation

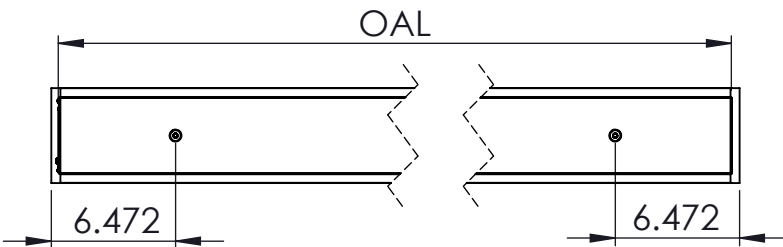
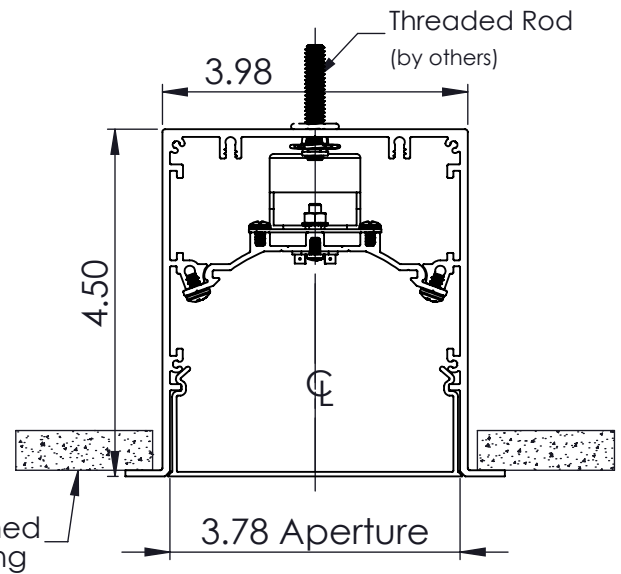
**Read all of these instructions before installing fixtures.**

- Keep all of the instructions for future reference. - Turn off power before installing fixture. - Installation is to be performed by a qualified electrician only. - All installations are to conform to the standards of the National Electrical Code as well as all local jurisdictional codes and regulations. - Any modification of the luminaire will void any and all written or implied warranties. - Do not open the luminaire. - this will void the IP rating. - The manufacturer accepts no responsibility for damage to persons or property arising through improper use or installation.

**THIS PRODUCT MUST BE INSTALLED IN ACCORDANCE WITH THE APPLICABLE INSTALLATION CODE BY A PERSON FAMILIAR WITH THE CONSTRUCTION AND OPERATION OF THE PRODUCT AND THE HAZARDS INVOLVED**

**\*Fixture comes Pre-Assembled  
Installation**

- **Turn Power Off Before Installing.**
- Feed power cables in the housing through knockouts on removable door.
- Make up connections to gear tray by accessing the the housing through end cap with removable door.
- Reattach and secure door
- From above, thread 1/4"-20 threaded rod into housing at designated locations.
- Tighten threaded rod until fixture outer bezel is pressed up against ceiling.
- Energize

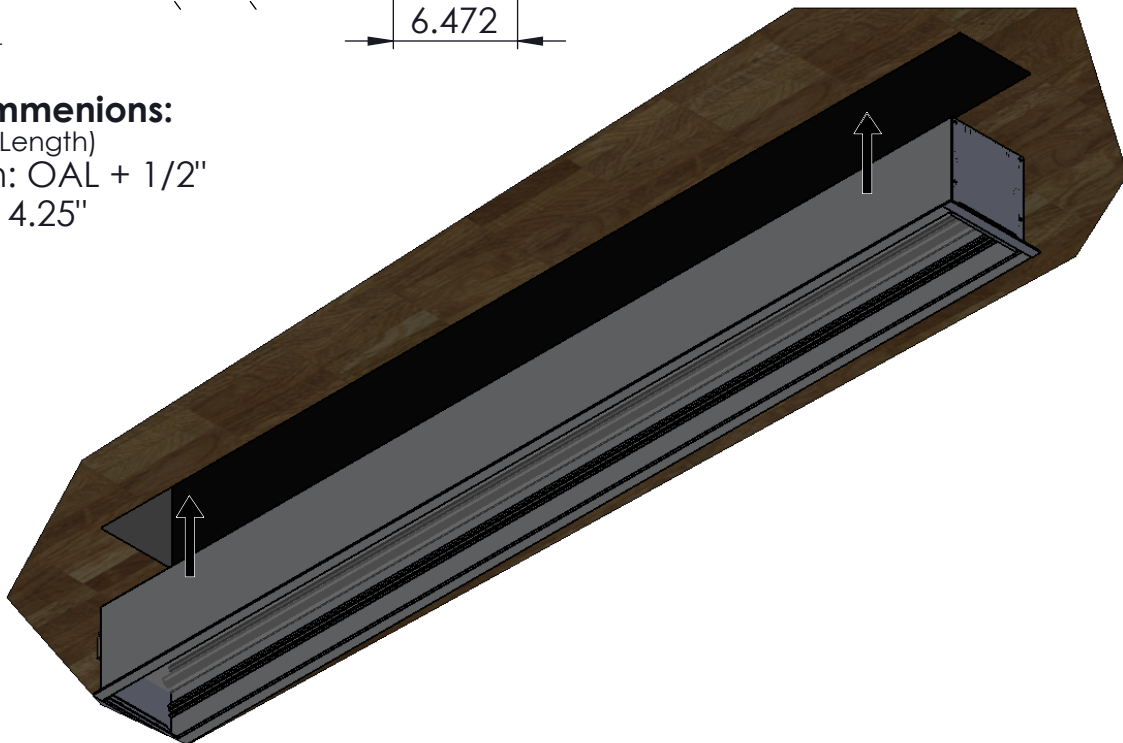


**\*Cutout Dimmenions:**

(OAL = Fixture Length)

Length: OAL + 1/2"

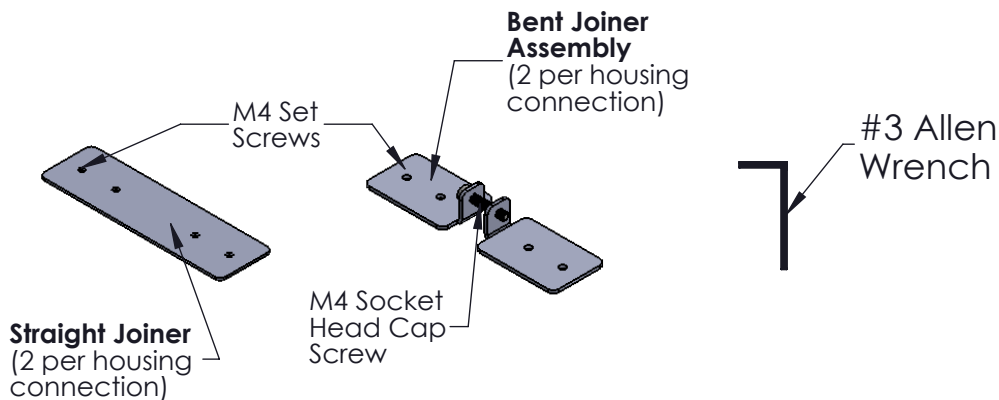
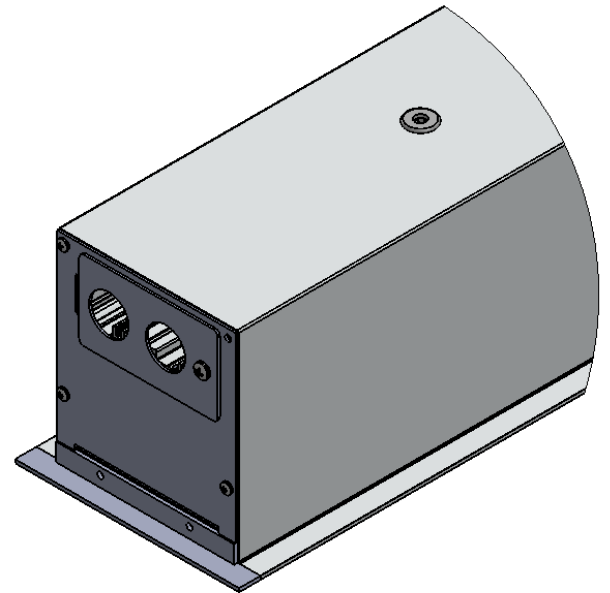
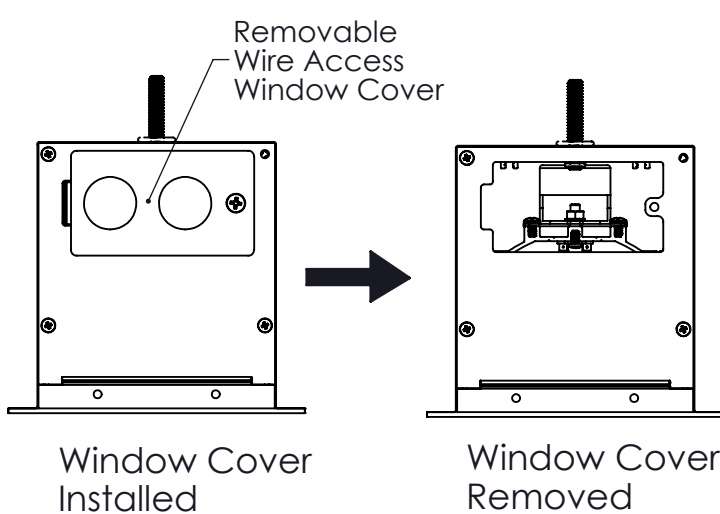
Width: 4.25"



# B100 LED

## Installation Instructions for Hard Ceilings

### Fixture Installation



#### \*Recommended Joiner Installation

(Joiners are pre-installed in one housing/Bent Joiners are pre-assembled as shown).

- Place both housings in ceiling end to end and slide joiners across housing seam so they are joining both housings.
- Tighten the set screws of the Bent Joiners.
- Tighten the M4 cap screw on the bent joiners, pulling the housings together.
- Tighten the set screws of the Straight Joiners.

(all joiner screws use a #3 Allen Wrench)

