


P60LDL – Plaster-in 60 Linear Downlight


Installation Instructions

Page 1

- **Please read entire instruction before beginning installation.**
- Keep all instructions for future reference.
- Any modification of the luminaire voids any and all written or implied warranty.
- Manufacturer accepts no responsibility for damage to persons or property arising through installation or use.

 • Risk of Fire/Electric Shock. Disconnect power at fuse or circuit breaker before installing. Failure to do so may result in personal serious injury.

 • Risk of Fire/Electric Shock. Fixture must be installed in accordance with local and/or National Electrical Code.

 • Installation and maintenance should only be performed by a qualified electrician.

Unpacking Instructions

Before you begin, please un-pack, identify and inspect all components. Per the TERMS AND CONDITIONS OF SALE, please contact Inter-lux if any items are found to be damaged or missing.

Fixtures will be packaged in multi-pack boxes or individually for smaller quantities. Individual fixtures are identified similar to:

Fixture

WG-HSG-96000-P60LDL-F

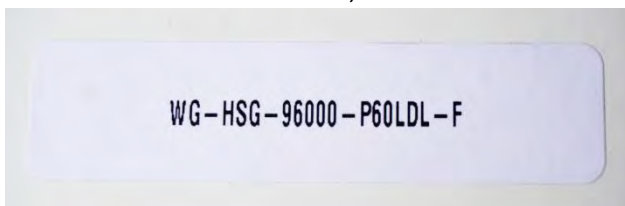
Description

Whitegoods P60LDL Housing Assembly, 96.000" L, Feed

WG-GT-60LDL-47400-H-830-UNV-D010-MA

Whitegoods 60LDL Gear tray, 47.400" L, High Power, 80CRI, 3000K, 120-277V, Dimming, Master

In addition to box labels, each fixture will be individually labeled on the back as shown:



The following page shows all possible parts for the P60LDL. Not all items are needed for every installation. Refer to your specific packing list to identify parts.

Once all items are identified and sorted, proceed to installation steps.

Technical Support Line (410) 381-1497

P60LDL – Plaster-in 60 Linear Downlight

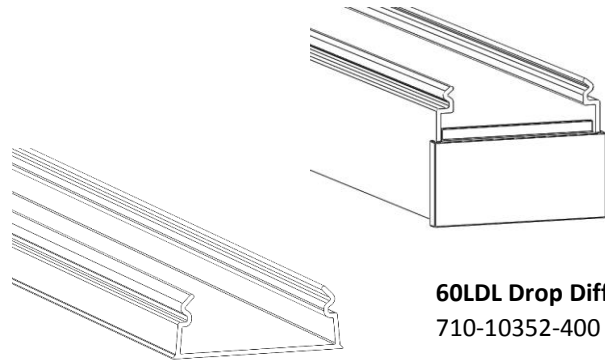
Installation Instructions

Page 2

Parts Identification (not to scale)

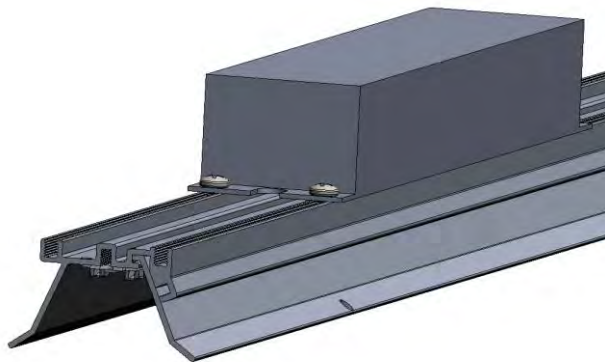


P60LDL Housing WG-HSG-(LENGTH)-P60LDL



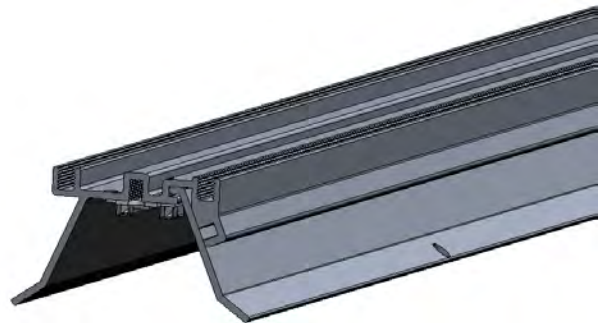
60LDL Drop Diffuser
710-10352-400

60LDL Opal Diffuser 710-10325-400



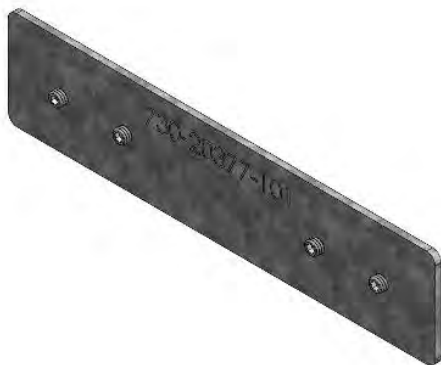
60LDL Master Gear tray (with attached LED driver)

WG-GT-60LDL-(LENGTH)-MA

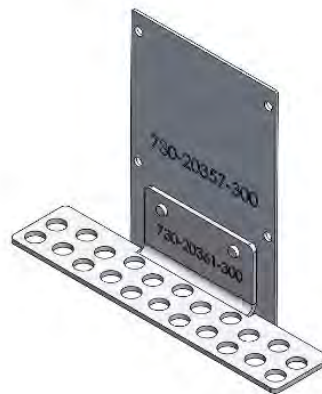


60LDL Satellite Gear tray (without LED driver)

WG-GT-60LDL-(LENGTH)-SA



Flat Joiner 730-20377-101



P60LDL End Cap

820-00001-304

P60LDL – Plaster-in 60 Linear Downlight

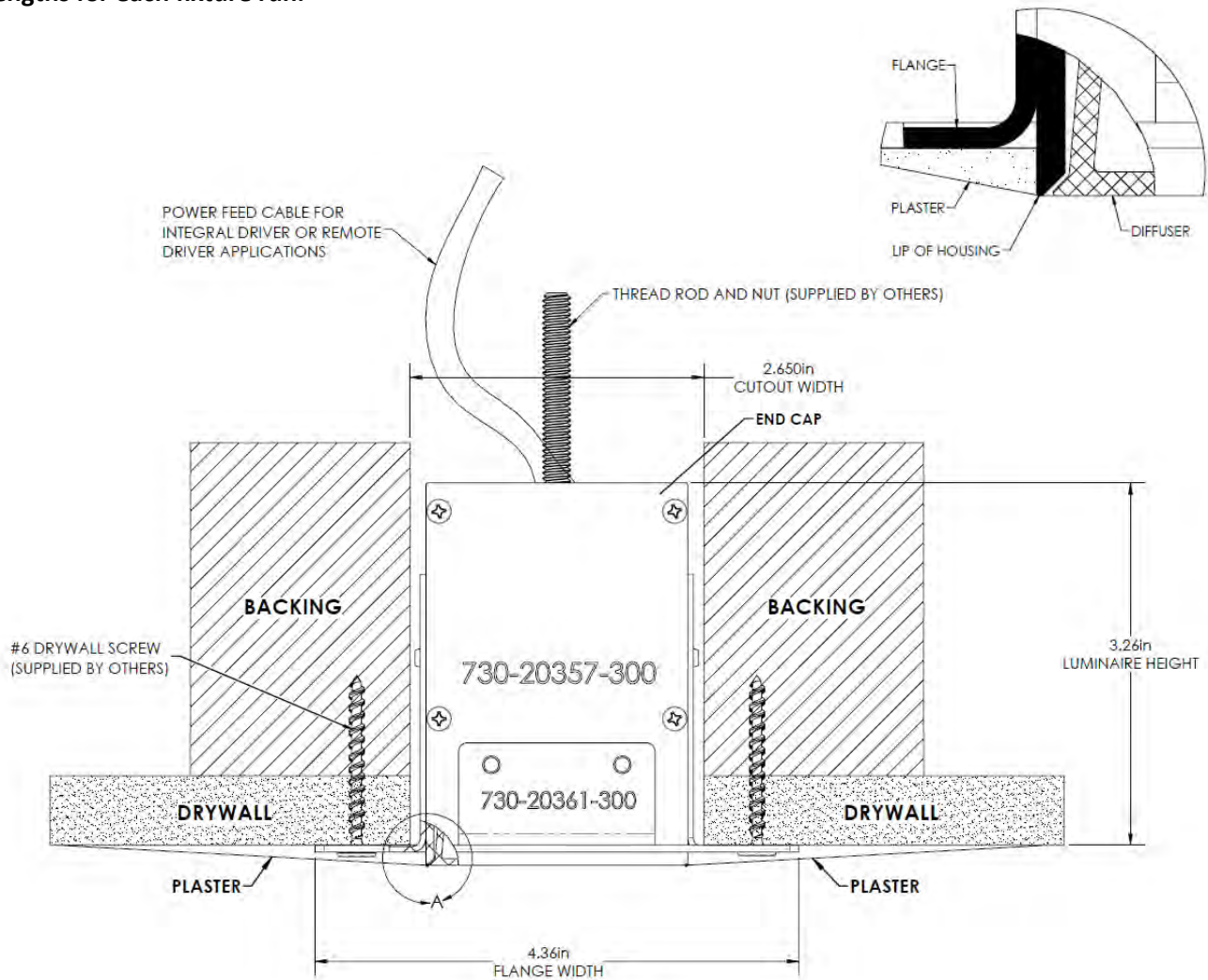
Installation Instructions

Page 3

Installation Instructions

Locate and review any construction plans and the Inter-lux Record Drawings for all fixture runs.

NOTE: It is recommended to locate and lay out all components for each fixture “run”. A fixture run typically consists of endcaps, joiners, lengths of housings and lengths of gear trays. Housing and light fixture lengths may be similar in appearance but slightly different in length. Gear trays may be similar in appearance but contain different power supplies. Be sure to identify all the correct housing and gear tray lengths for each fixture run.



Install Fixture



The fixture must be mounted and wired in accordance with the National Electric Code (NEC) as well as applicable State and Local codes and jurisdictions.



WARNING: DO NOT HOT-PLUG. Power must be off until all connections are made. LED damage will occur if drivers are powered/energized while making connections.

P60LDL – Plaster-in 60 Linear Downlight

Installation Instructions

Page 4

Plasterboard – Standalone Luminaire (up to 8ft)

NOTE: Minimum ceiling or wall thickness of 0.5in (12.7mm).

1. Cut Out:

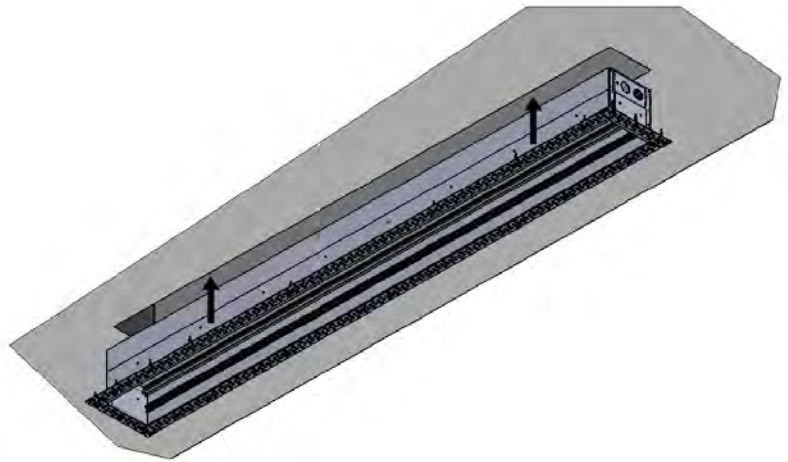
Mark and cut gypsum/plaster board/drywall for desired location of the housing.

Cut Out Length = Fixture Length + 0.25in

Cutout Width = 2.65 in +/- 0.1in

2. Mounting Preparations:

The housing must be mounted securely to avoid cracking in the plaster and painted finish. It is recommended that backing (typically wood, supplied by others) be installed behind the perimeter of the fixture and the fixture be secured to the backing. If there's no backing, the housing can be supported by threaded rod and hex nut (supplied by others) in back of housing.

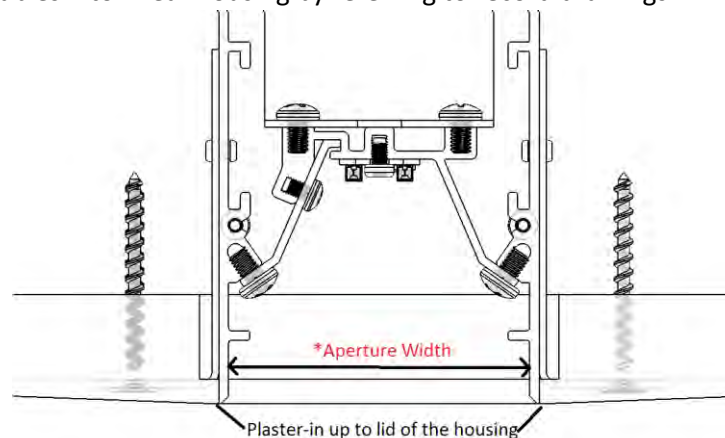


3. Mounting:

Step 1: Mount housing against the wall/ceiling using #6 drywall screw (supplied by other) into the flanges. The aperture width of 2.22" **must be** maintained throughout linear run or diffuser will not stay in housing. Then, secure housing either by threaded rod (supplied by others) or by screwing to backing (supplied by others). Remove supplied diffuser from housing and stored in protected location.

Step 2: Install drywall screws into plaster flanges on housing and end caps

Step 3: Feed power cables into linear housing by referring to record drawings.



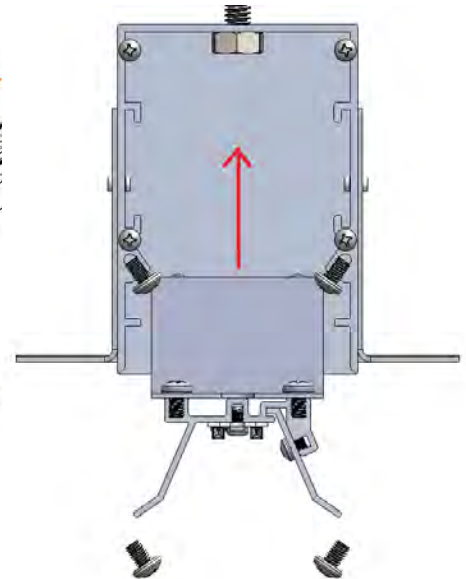
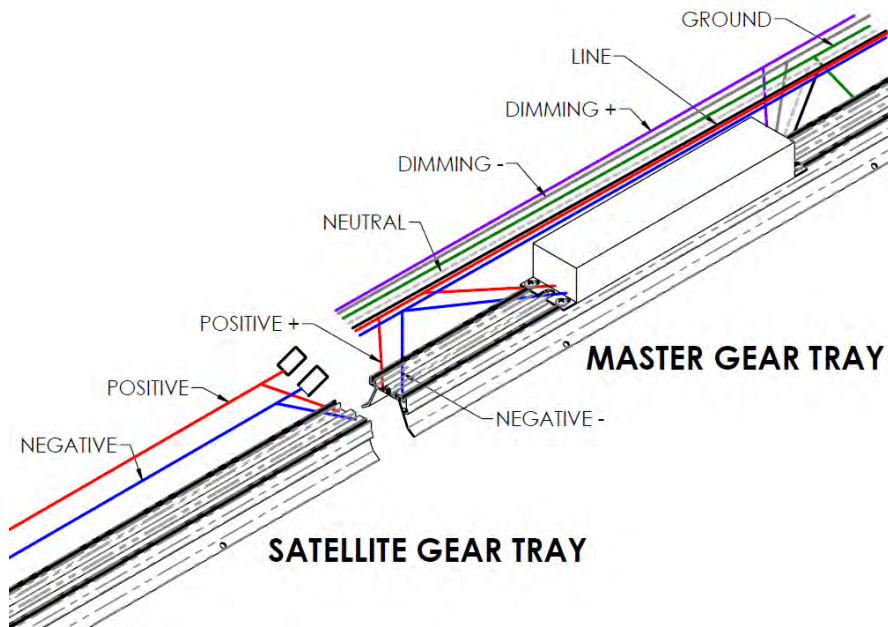
P60LDL – Plaster-in 60 Linear Downlight

Installation Instructions

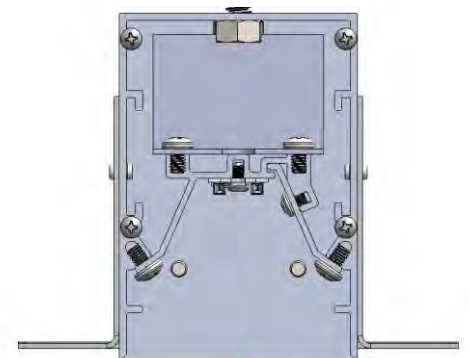
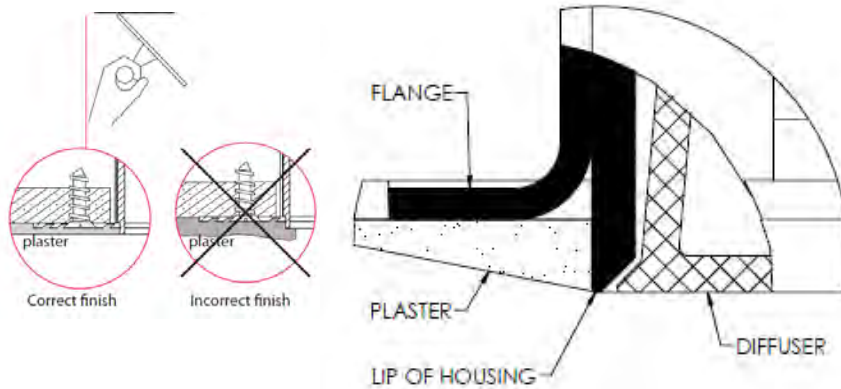
Page 5

Step 4: Install 60LDL Gear trays by making electric connections first then insert gear tray into housing. Ensure no interference with driver on gear tray and threaded rod in housing (if applicable). Secure gear tray to housing with provided M4 x 6mm phillips head screws in predrilled holes.

Step 5: Repeat step 4 for any remaining gear trays.



Step 6: Apply plaster evenly up to lip of housing and end cap all around the luminaire. Let plaster dry. Then sand and paint finished wall/ceiling.



Step 7: Install Diffuser and ensure its flush along length of run.

Step 8: Energize and test for proper operation.



P60LDL – Plaster-in 60 Linear Downlight

Installation Instructions

Page 6

Plasterboard – Continuous Luminaire (longer than 8ft)

NOTE: Minimum ceiling or wall thickness of 0.5in (12.7mm).

3. Mounting

Step 1: Install end cap on first housing of linear run using 4x #4-40 phillips screws.

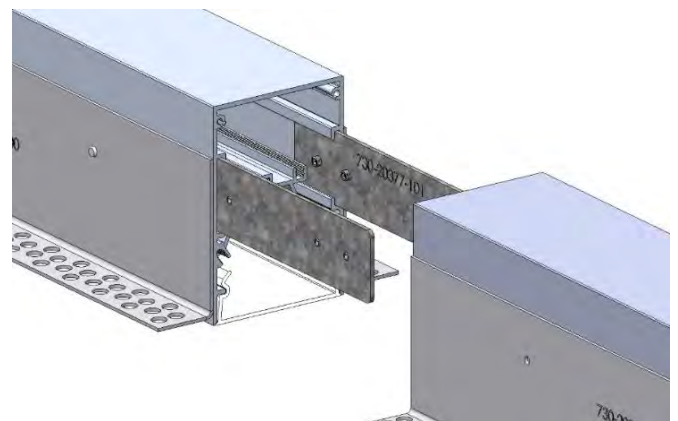
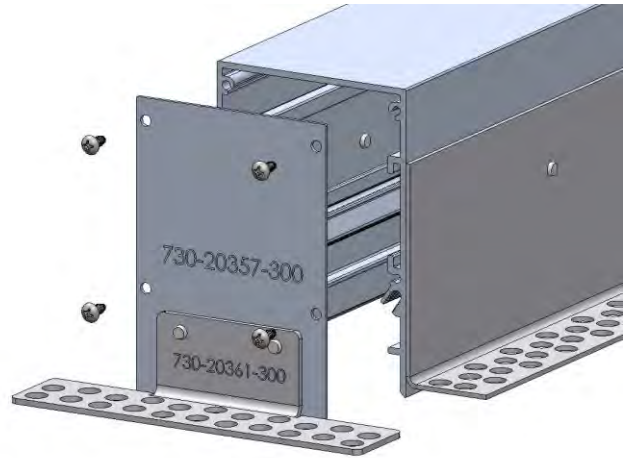
Step 2: Follow the Cutout and Preparation steps along with mounting steps 1 - 2 of the Standalone Luminaire section.

Step 3: After the first housing in continuous run is installed, insert 2X flat joiner into slot on each side of housing.

Step 4: Insert next housing into wall/ceiling and line up with first housing. Slide flat joiner inside of both housings and snug the set screws by 2mm Size Hex Alley Wrench (supplied by others). Drive drywall screws into flanges along with other recommended mounting method. Ensure aperture width of 2.22" is maintained throughout linear run.

Step 5: Repeat step 3 and 4 until end of the linear run. Attach end cap on the last housing of linear using 4x #4-40 phillips screws.

Step 6: Following mounting step 3 – 8 from the standalone luminaire section to install gear trays and diffusers.



Technical Support Line (410) 381-1497

3741 Commerce Drive Suites 306-308 Baltimore, MD 21227 P 410 381 1497 F 410 381 1589
quotes@inter-lux.com orders@inter-lux.com www.inter-lux.com

940-10009 Rev. A