


B60LDL – Bezel 60 Linear Downlight

Grid Installation Instructions

Page 1

- **Please read entire instruction before beginning installation.**
- Keep all instructions for future reference.
- Any modification of the luminaire voids any and all written or implied warranty.
- Manufacturer accepts no responsibility for damage to persons or property arising through installation or use.

 • Risk of Fire/Electric Shock. Disconnect power at fuse or circuit breaker before installing. Failure to do so may result in personal serious injury.

 • Risk of Fire/Electric Shock. Fixture must be installed in accordance with local and/or National Electrical Code.

 • Installation and maintenance should only be performed by a qualified electrician.

Unpacking Instructions

Before you begin, please un-pack, identify and inspect all components. Per the TERMS AND CONDITIONS OF SALE, please contact Inter-lux if any items are found to be damaged or missing.

Fixtures will be packaged in multi-pack boxes or individually for smaller quantities. Individual fixtures are identified similar to:

Fixture

WG-HSG-96000-B60LDL-F

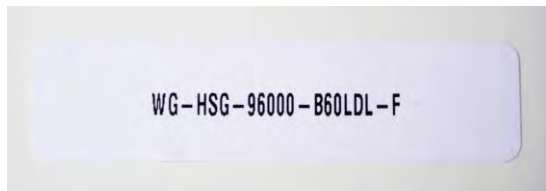
Description

Whitegoods B60LDL Housing Assembly, 96.000” L, Feed

WG-GT-60LDL-47400-M-830-UNV-D010-MA

Whitegoods 60LDL Gear tray, 47.400” L, High Power, 80CRI, 3000K, 120-277V, Dimming, Master

In addition to box labels, each fixture will be individually labeled on the back as shown:



The following page shows all possible parts for the B60LDL. Not all items are needed for every installation. Refer to your specific packing list to identify parts.

Once all items are identified and sorted, proceed to installation steps.

Technical Support Line (410) 381-1497

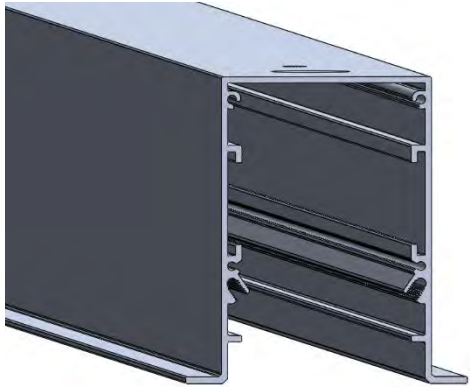
3741 Commerce Drive Suites 306-308 Baltimore, MD 21227 P 410 381 1497 F 410 381 1589
 quotes@inter-lux.com orders@inter-lux.com www.inter-lux.com

B60LDL – Bezel 60 Linear Downlight

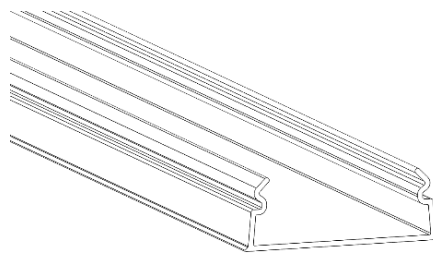
Grid Installation Instructions

Page 2

Parts Identification (not to scale)



B60LDL Housing WG-HSG-(LENGTH)-B60LDL



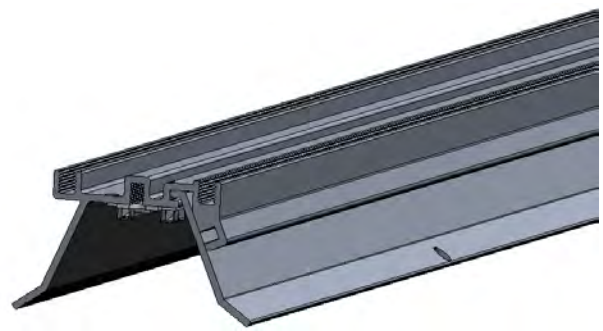
60LDL Opal Diffuser 710-10325-400



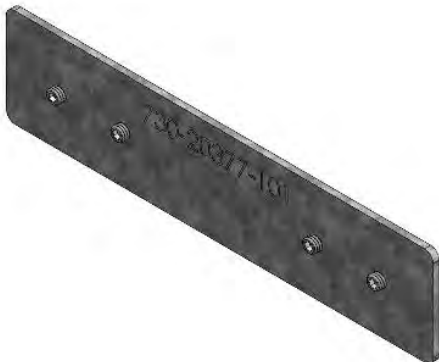
B60LDL End Cap
820-00005-304



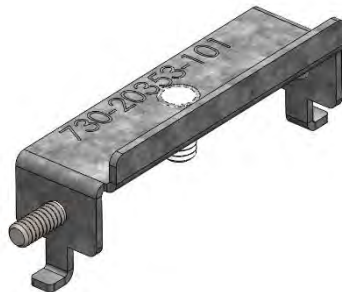
60LDL Master Gear tray (with attached LED driver)
WG-GT-60LDL-(LENGTH)-MA



60LDL Satellite Gear tray (without LED driver)
WG-GT-60LDL-(LENGTH)-SA



Flat Joiner
730-20377-101



B60LDL Top Bracket
820-00005-304



B60LDL Side Bracket
820-00005-304

B60LDL – Bezel 60 Linear Downlight

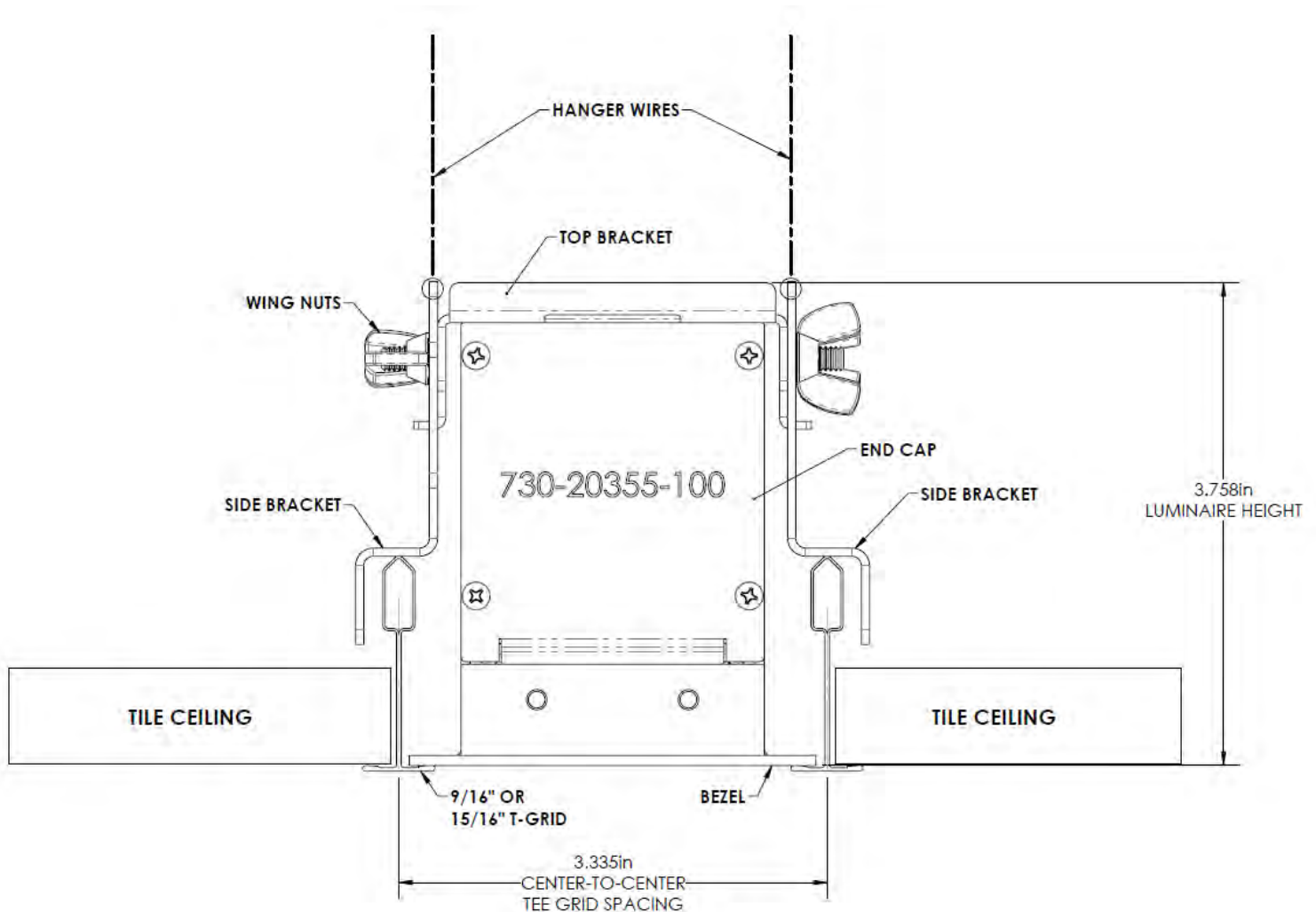
Grid Installation Instructions

Page 3

Installation Instructions

Locate and review any construction plans and the Inter-lux Record Drawings for all fixture runs.

NOTE: It is recommended to locate and lay out all components for each fixture “run”. A fixture run typically consists of endcaps, joiners, lengths of housings, lengths of 60LDL gear trays and driver boxes (if applicable). Housing and light fixture lengths may be similar in appearance but slightly different in length. Gear trays may be similar in appearance but contain different power supplies. Be sure to identify all the correct housing and gear tray lengths for each fixture run.



B60LDL – Bezel 60 Linear Downlight

Grid Installation Instructions

Page 4

Install Fixture



The fixture must be mounted and wired in accordance with the National Electric Code (NEC) as well as applicable State and Local codes and jurisdictions.



WARNING: DO NOT HOT-PLUG. Power must be off until all connections are made. LED damage will occur if drivers are powered/energized while making connections.

Grid Ceiling – Standalone Luminaire (up to 8ft)

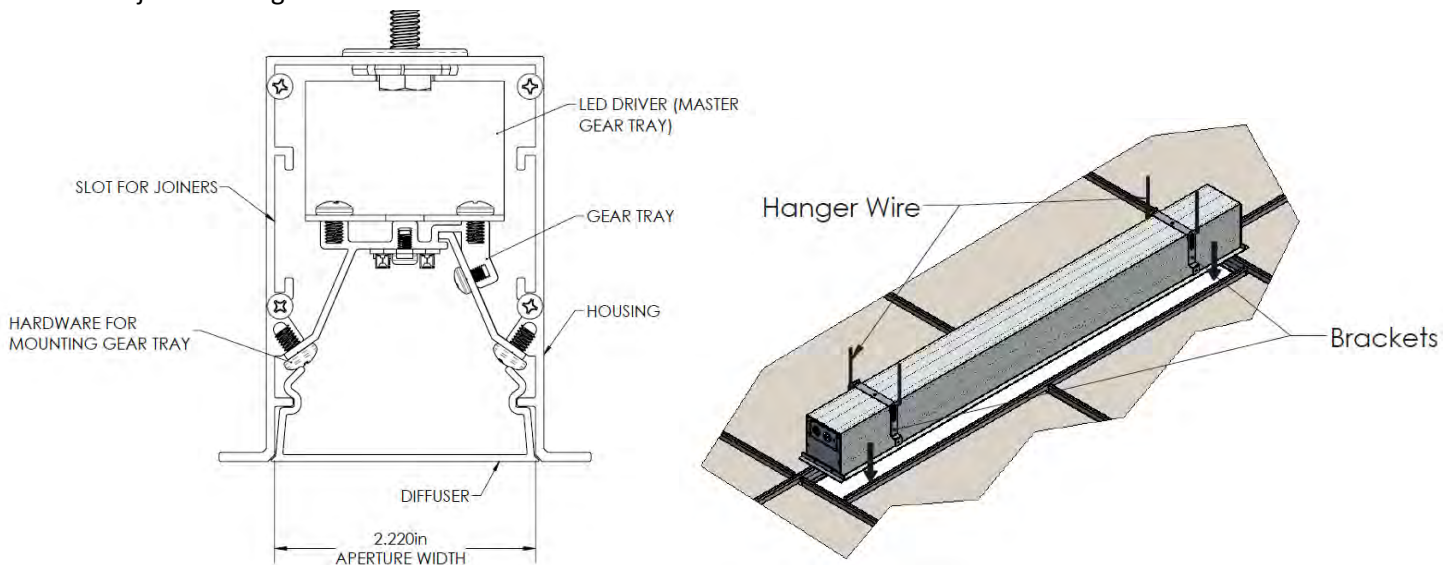
1. Mounting Preparations:

Set-up T-grid so that the center-to-center spacing is 3.34" along linear length of luminaire. It is recommended that the housing be supported by hanging wire (supplied by others) on back of housing. Remove supplied diffuser from housing and replace after complete installation.

2. Mounting:

Step 1: Install top brackets into pre-drilled location in back of housing, using supplied ¼"-20 hex nut. Then mount a side bracket on both sides of top bracket with supplied wing nuts.

Step 2: Mount housing by resting it on top of ceiling grid, ensuring luminaire is centered in opening and adjust the height of the side brackets for clearance.



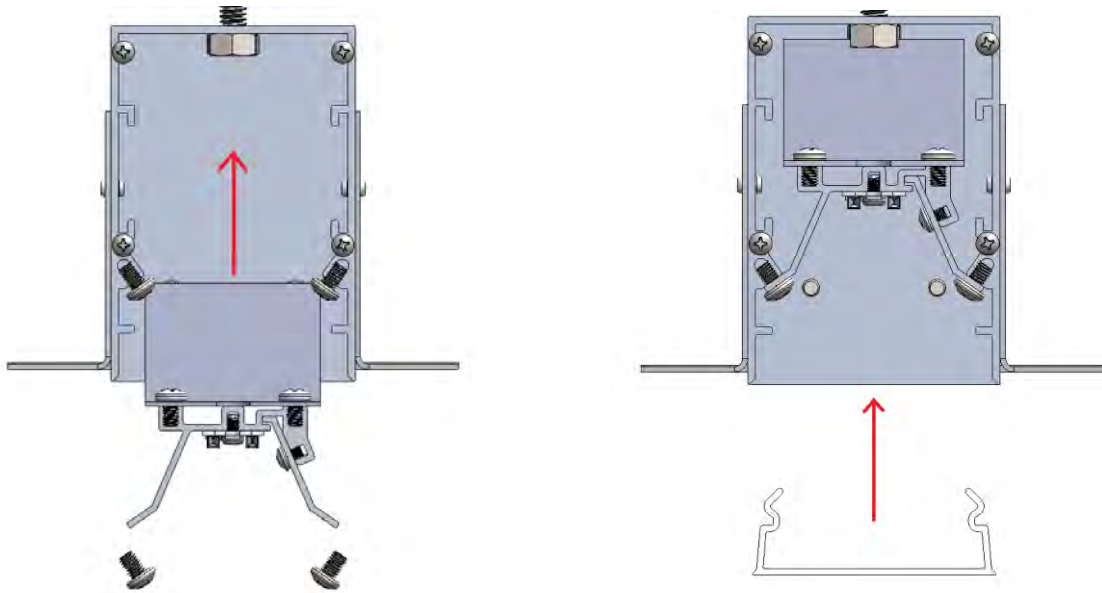
Step 3: Connect hanger wires from side brackets to building structure. The aperture width of 2.22" **must be** maintained throughout linear run or diffuser will not stay in housing.

B60LDL – Bezel 60 Linear Downlight

Grid Installation Instructions

Page 5

Step 4: Feed power cables into linear housing where applicable.



Step 5: Install 60LDL Gear tray by making electric connections first then insert gear tray into housing. Ensure no interference with driver on gear tray and top bracket in the back of housing. Secure gear tray to housing with provided M4 x 6mm phillips head screws in predrilled holes.

Step 6: Repeat step 5 for any remaining gear trays.

Step 7: Install Diffuser and ensure its flush along length of run.

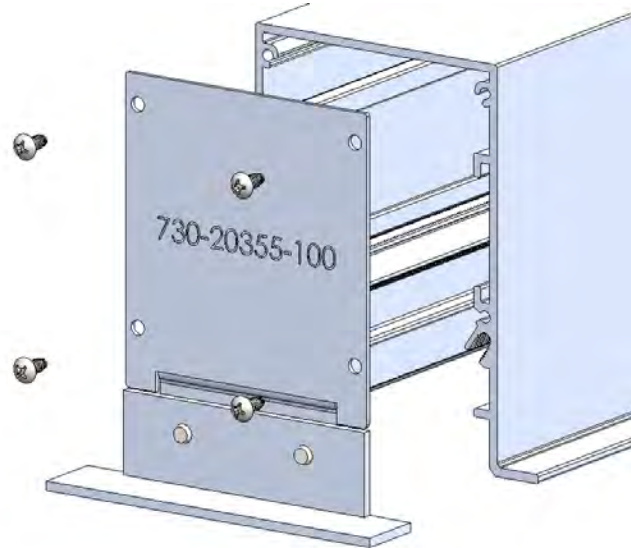
Step 8: Energize luminaire and test for proper operation.

B60LDL – Bezel 60 Linear Downlight**Grid Installation Instructions**

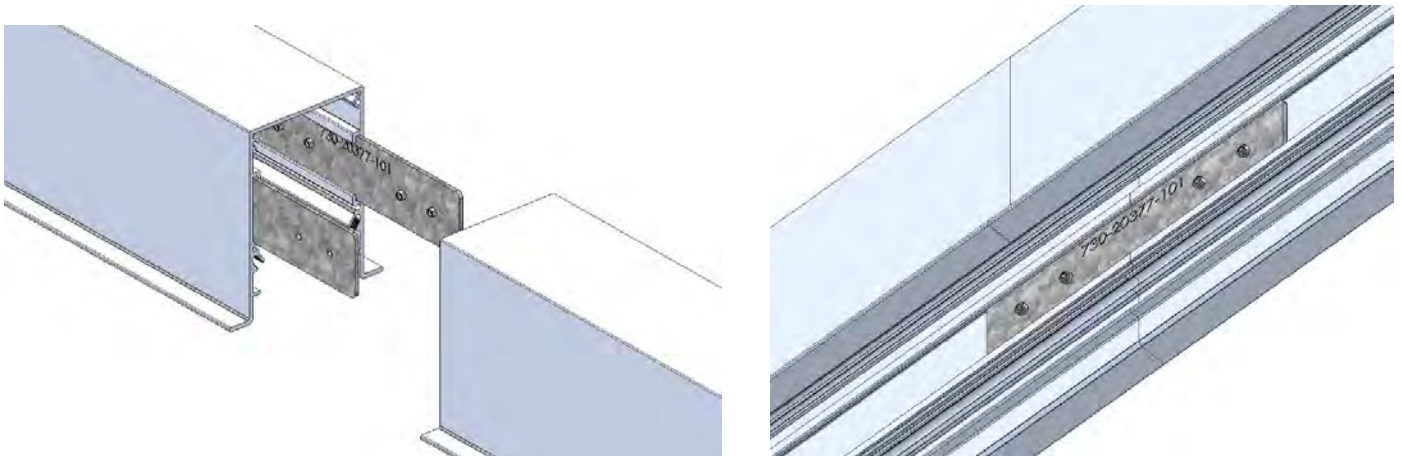
Page 6

Grid Ceiling – Continuous Luminaire (longer than 8ft)

Install end cap at start of linear run using supplied 4x #4-40 phillips screws. Follow the Mounting Preparation steps along with mounting steps 1- 2 of the Standalone Luminaire section.

**3. Mounting**

Step 1: After the first housing in continuous run is installed, insert 2X flat joiner into slot on each side of housing.



Step 2: Install top brackets with supplied ¼"-20 nut and side brackets using supplied wing nuts on remaining housings.

Step 3: Place next housing onto grid and line up with first housing. Slide flat joiner so that it's inside of both housings and snug the set screws by 2mm Size Hex Alley Wrench (supplied by others). Support next linear housing by hanger wires (supplied by others) connected to side brackets. Ensure aperture width of 2.22" is maintained throughout linear run.

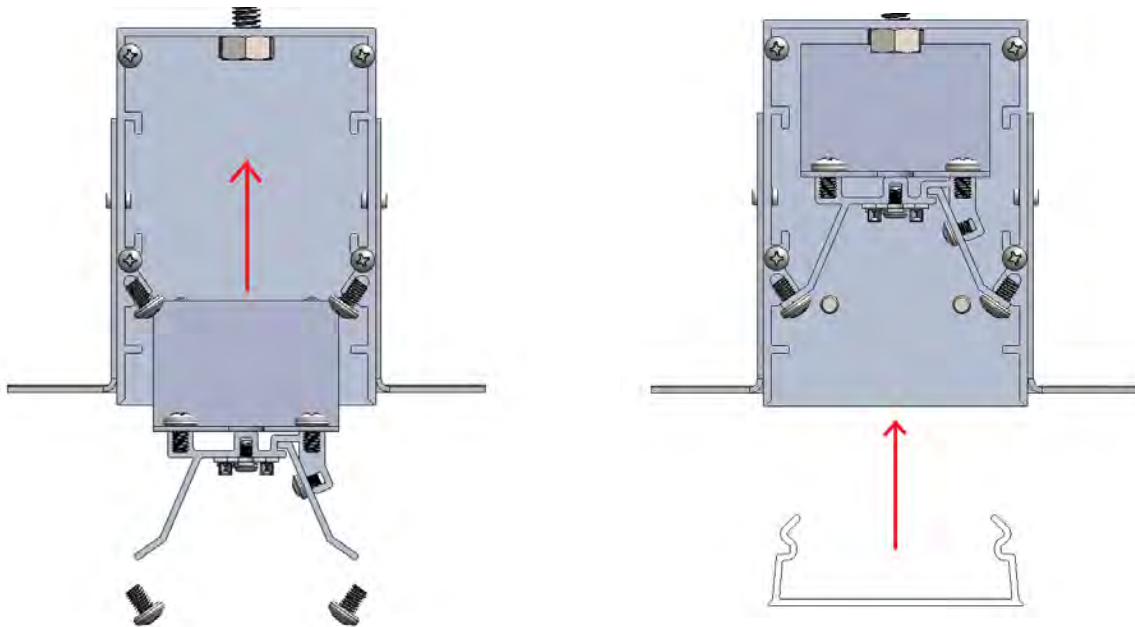
B60LDL – Bezel 60 Linear Downlight

Grid Installation Instructions

Page 7

Step 4: Repeat step 1 - 3 until reaching end of the linear run. Attach end cap on the last housing of linear using 4x #4-40 phillips screws.

Step 4: Feed power cables into housing where applicable



Step 5: Install 60LDL Gear tray by making electric connections first then insert gear tray into housing. Ensure no interference with driver on gear tray and threaded rod in housing (if applicable). Secure gear tray to housing with provided M4 x 6mm phillips head screws in predrilled holes. Repeat for remaining gear trays in linear run.

Step 6: Install Diffuser and ensure its flush along length of run.

Step 7: Energize and test for proper operation.

Technical Support Line (410) 381-1497