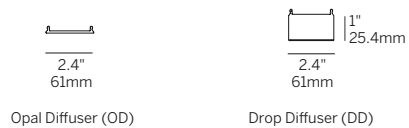


# 60 Linear Recessed Flush Lens

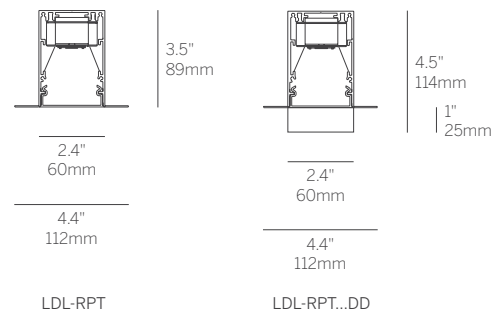
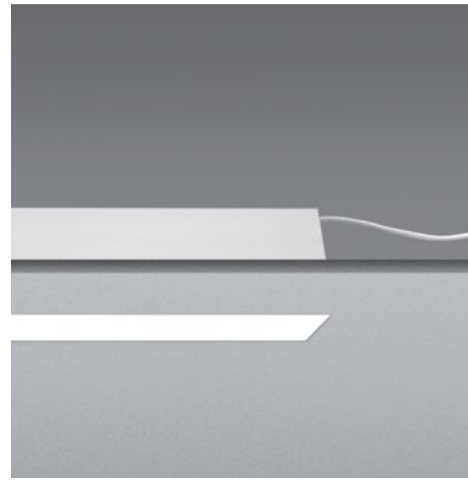
- 2.4" aperture, integrated solution that is compatible with all ceiling types
- Standard and tailored run lengths, including corners, wall-to-wall and wall-to-ceiling configurations
- Flush lens for wide angle, even illumination
- Multiple control and connectivity options
- Consistent LED technology used throughout the Whitegoods product range
- Flexible design allows for installation from below with separate housing and gear tray for ease of installation and maintenance
- Flicker-free full range dimming with standard driver (Eldoled)
- Manufactured in the USA

<b>Housing</b>	Precision extruded aluminum for true dimensions and tolerances Snap-in flush lens for seamless integrated appearance Standard and tailored lengths including corners, wall-to-wall and wall-to-ceiling configurations Finishes: white, black, silver and custom
<b>Integration</b>	Fixation onto any surface such as gypsum, hard ceilings and all grid ceiling types
<b>Distribution</b>	High angle illumination linear downlight
<b>LED</b>	>90 CRI, 3-Step MacAdam, 2700-4000K static white 3W - 15W per foot, 180 nominal lumens per watt average, constant current Tuneable white 2200-4000K, 80 nominal lumens per watt average RGBW, 50 nominal lumens per watt L70 (TM21 Projected 85C) Static White / Tunable White = 72,000 hours, RGBW = 50,000 hours
<b>Optic</b>	OD - Snap-in flush satin opal acrylic for even illumination DD - Snap-in 1" drop diffuser for wide distribution
<b>Driver</b>	Compatible with quality constant current drivers
<b>Connectivity</b>	POE Wireless
<b>Weight</b>	4lbs per foot
<b>Operating Temp</b>	Suitable for operation in maximum ambient temperature of 35C (95F)
<b>Warranty</b>	5-year Limited (see complete company warranty information)
<b>Certifications</b>	ETL and ETL-C for dry and damp location, CE, Chicago plenum
<b>Voltages</b>	120-277VAC

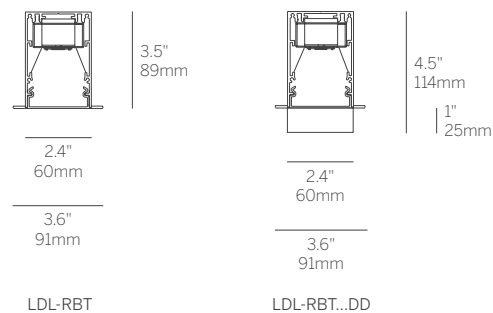
### Lenses/Accessories



Recessed Plaster Trim (60LDL-RPT)



Recessed Bezel Trim / Grid Trim (60LDL-RBT/RGT)



# 60 Linear Recessed Flush Lens

Model	Fixation	Pattern	Length	Power <sup>2</sup>	CRI/CCT <sup>3</sup>	Driver <sup>5</sup>	Lens	Finish <sup>7</sup>	Options
WG-60LDL	RPT RBT RGT9 RGT15 RGTS	S P <sup>1</sup> PPI <sup>1</sup> PPO <sup>1</sup> PZ <sup>1</sup>	A A x B A x B x C A x B x A x B	P1 P2 P3 P4 M	927 930 935 940 TW <sup>4</sup> RGBW	E1 L1 POE BT DALI TQ DMX	OD (std) DD <sup>6</sup>	W (std) B S F	EM NYC

### Model

- WG-60LDL = 60 Linear Recessed Downlight

### Fixation

- RPT = Recessed plaster trim
- RBT = Recessed bezel trim for hard ceiling
- RGT9 = Recessed trim for 9/16" grid
- RGT15 = Recessed trim for 15/16" grid
- RGTS = Recessed grid trim slot

### Pattern

- S = Straight run
- P = Standard patterns 2, 3 or 4 sided with 90° corners on the same plane<sup>1</sup>
- PPI = Wall to ceiling / wall to wall, 90° inside corner<sup>1</sup>
- PPO = Wall to ceiling / wall to wall, 90° outside corner<sup>1</sup>
- PZ = Non-standard patterns and/or corners other than 90° on multiple planes, consult factory<sup>1</sup>

### Length

- A, B, C = specify inches to the nearest 0.25" (i.e. 72.25"). For patterns specify each length (i.e. 2 sided: A x B = 72.25" x 48"; 3 sided: A x B x C; 4 sided: A x B x A x B).

### Power<sup>2</sup>

- P1 = 3W/ft
- P2 = 6W/ft
- P3 = 10W/ft
- P4 = 15W/ft
- M = 7.6W/ft (RGBW Only)

### CRI/CCT (90+ CRI)<sup>3</sup>

- 927 = 2700K
- 930 = 3000K
- 935 = 3500K
- 940 = 4000K
- TW = Tuneable white 2200-4000K<sup>4</sup>
- RGBW = 3000K White

### Driver (Integral)<sup>5</sup>

- E1 = EldoLED 0.1% dimming, 0-10V (120-277V)
- L1 = Lutron 1% dimming, Ecosystem (120-277V)
- PoE = Power over Ethernet
- BT = Wireless CAS – Casambi (Must specify BT with E1 or DALI)
- DALI = EldoLED Dali DT8 0.1% (120-277V)
- TQ = T-Series for Lutron Quantum 0.1% (120-277V) (Tunable white ONLY)
- DMX = Osram+EldoLED, 24V, DMX Dimming (RGBW ONLY)

### Lens

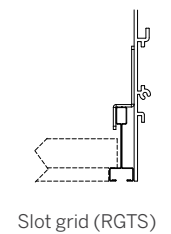
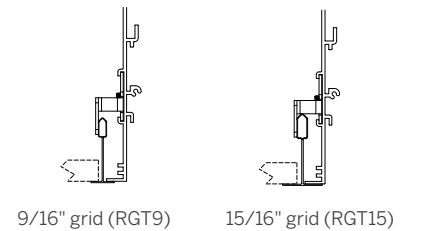
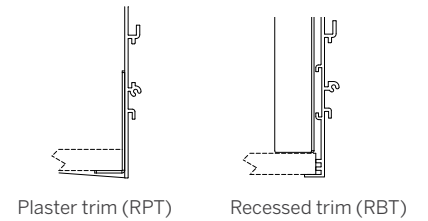
- OD = Satin opal diffuser (standard diffuse)
- DD = Drop diffuser<sup>6</sup>

### Finish<sup>7</sup>

- W = White, 15% gloss, RAL 9010 / Tiger Drylac 009/10120 (standard)
- B = Black, 15% gloss, RAL 9005 / Tiger Drylac 044/90053
- S = Silver, 15% gloss, RAL 9006 / Tiger Drylac 049/90500
- F = Custom finished trim, specify RAL

### Options

- EM = Emergency LED driver (remote only)
- NYC = 6' whip per run



Whitegoods reserves the right to change any information without prior notice.

### Notes

- 1 See pattern spec sheet.
- 2 Wattage shown does not include power supplies/drivers.
- 3 See spec page for delivered lumens.
- 4 TW only available with P2 and P3.
- 5 See power supply page for details.
- 6 Butt seam (lens) when in continuous run, straight runs only.
- 7 See Tiger Drylac color chart: inter-lux.com/tiger