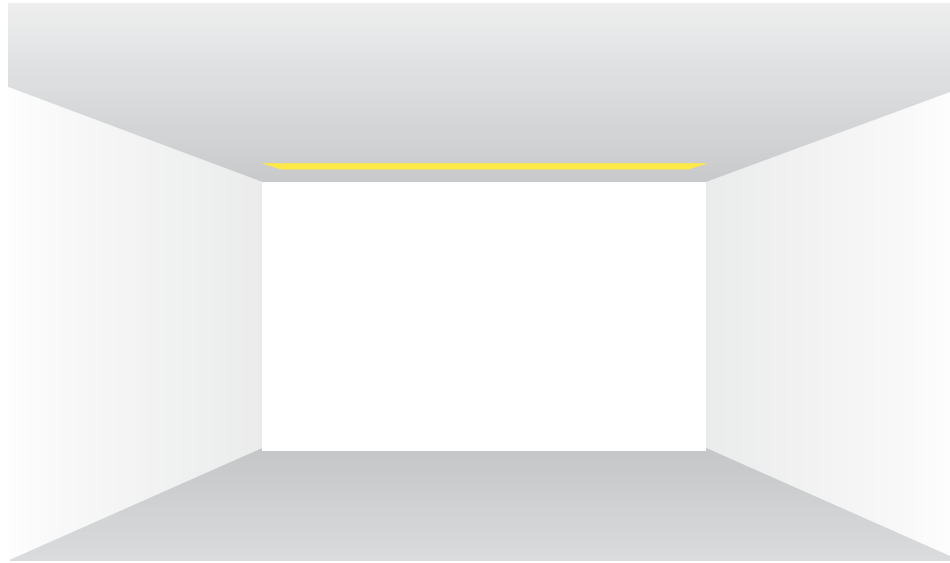


60 Linear - High Angle Illumination

WG 60LDL-RPT, WG 60LDL-RBT, WG 60LDL-SM



The 60 Linear is a versatile product. In its simplest form it is a recessed or surface mounted continuous linear strip of light.

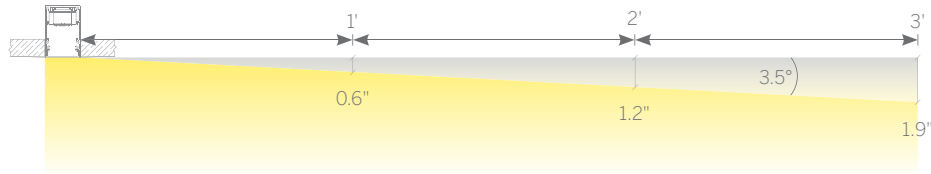
It can be used for general illumination, or lighting within architectural details, or to illuminate specific surfaces. Below you can see the effect on a wall when a 60LDL-RPT, RBT, SM is mounted at relatively close offset to a wall.

Angle of Illumination / High Angle Lighting Performance

WG 60LDL-SM



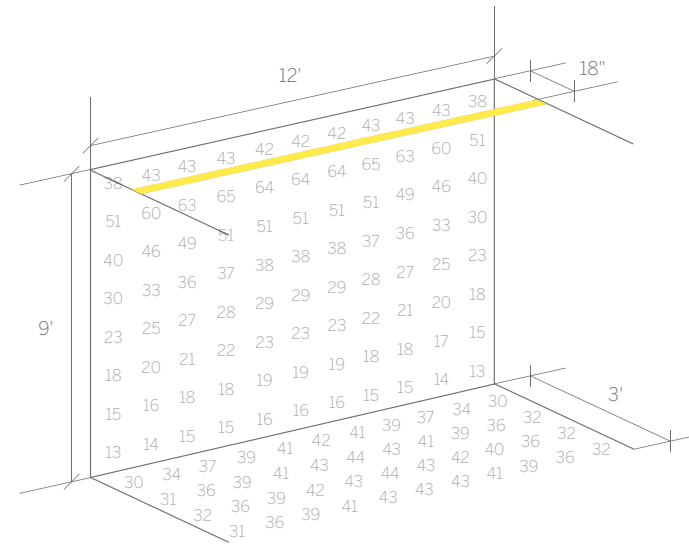
WG 60LDL-RPT, WG 60LDL-RBT



The diagrams show the point at which the contrast between the lit and the unlit perpendicular surface occurs as a soft transition line, at various distances from the luminaire.

Values in feet & inches

9' Ceiling, 18" Optimum Offset

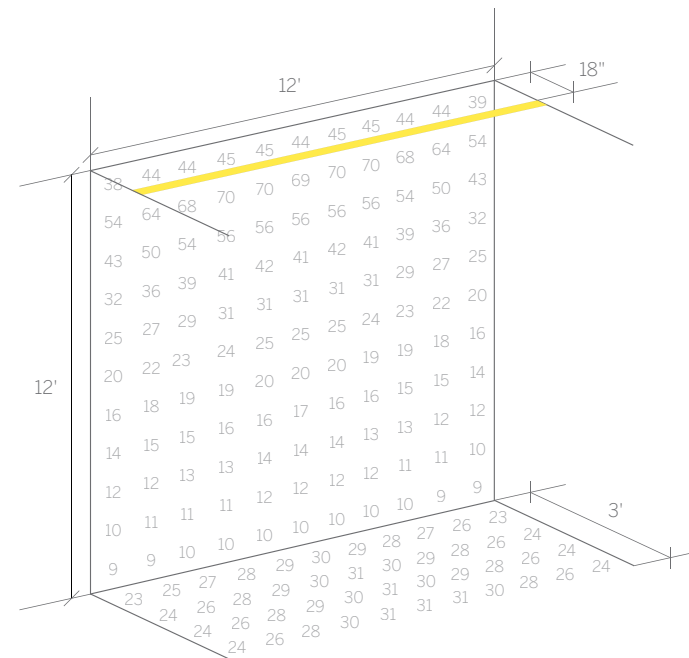


These diagrams indicate light levels to be expected on the wall and floor when using these luminaire types at various distances from the wall.

This page shows what we feel are the optimum offsets for the ceiling heights as shown.

The following page shows results at different offsets.

12' Ceiling, 18" Optimum Offset



Values in Foot Candles

Calculated on the following basis:

Reflectances	Maintenance Factor	LED	Diffuser
Ceiling 70%	1.0	691lm/ft*	Satin Opal
Walls 50%		3000 Kelvin	
Floor 20%		90 CRI	

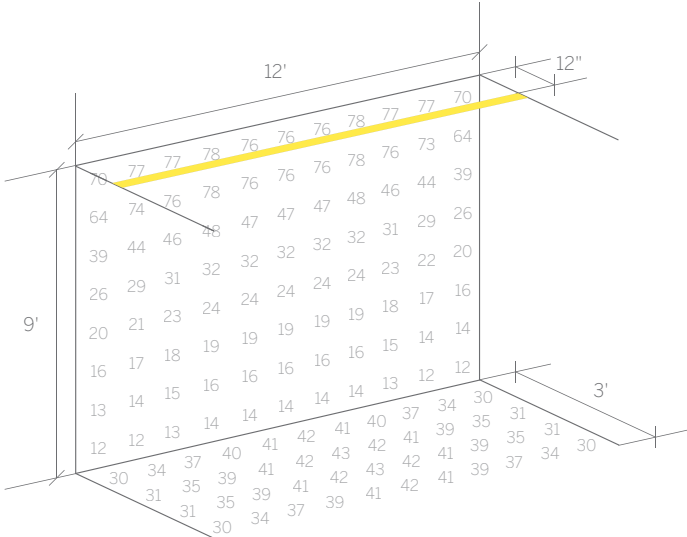
60 Linear Plaster Trim	60 Linear Bezel Trim	60 Linear Surface Mount
Product Details	Product Details	Product Details
184	186	188

*Lumen data correct at the time of print. Source lumens shown. For up to date lumen data refer to specsheet.

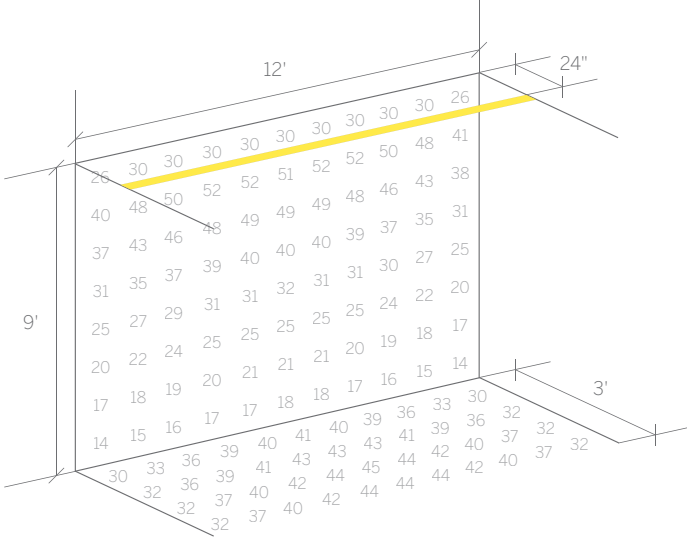
60 Linear - High Angle Illumination

WG 60LDL-RPT, WG 60LDL-RBT, WG 60LDL-SM

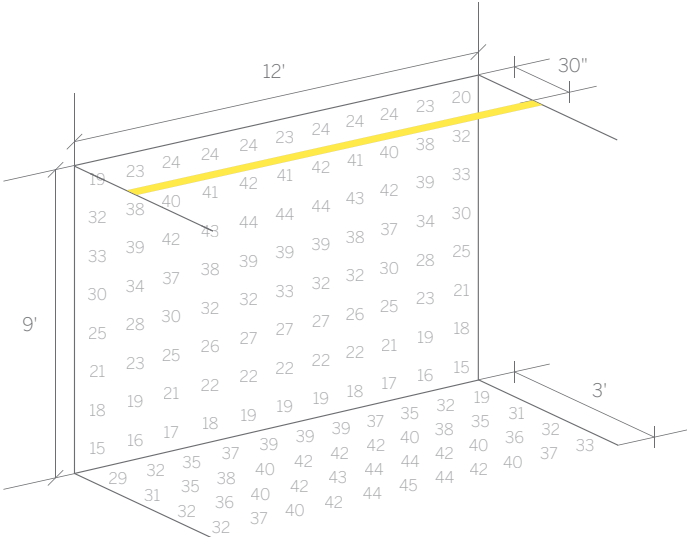
9' Ceiling, 12" Offset



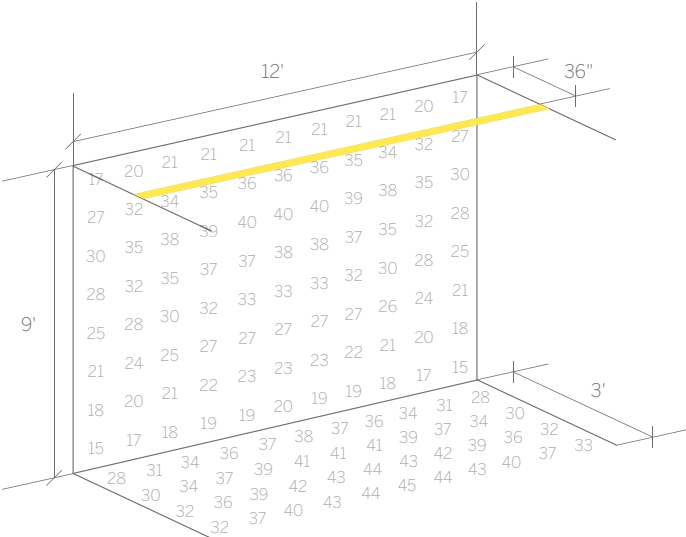
9' Ceiling, 24" Offset



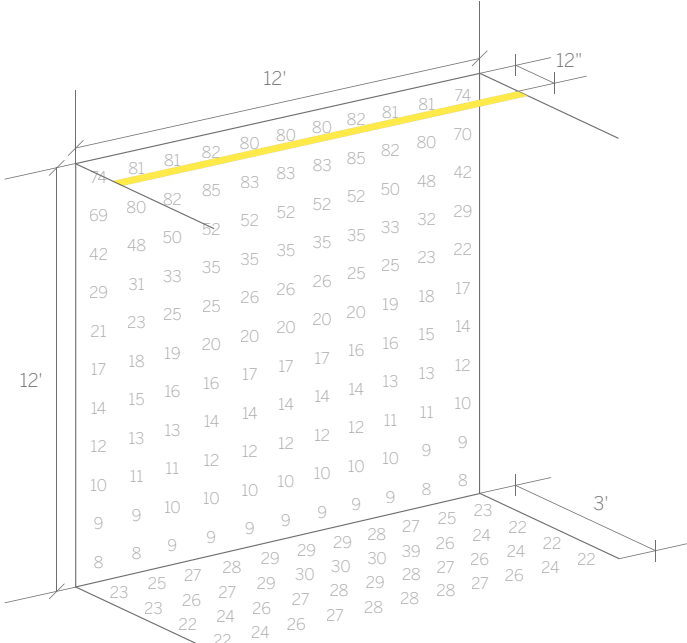
9' Ceiling, 30" Offset



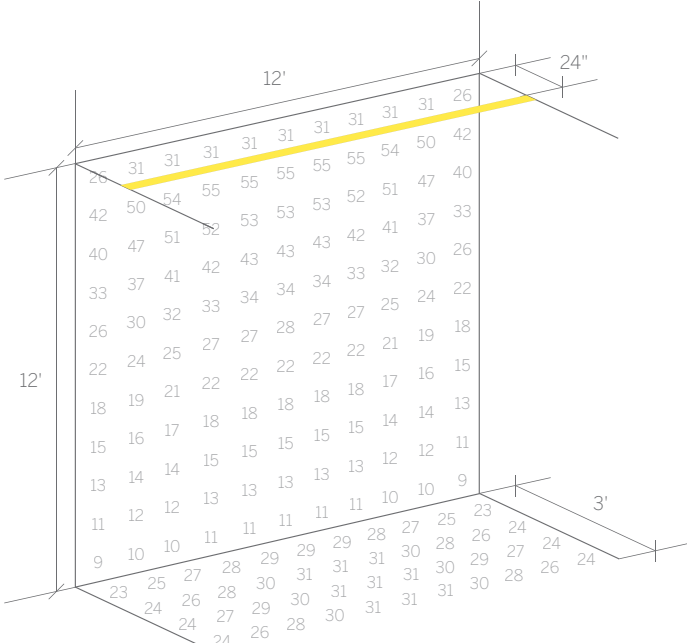
9' Ceiling, 36" Offset



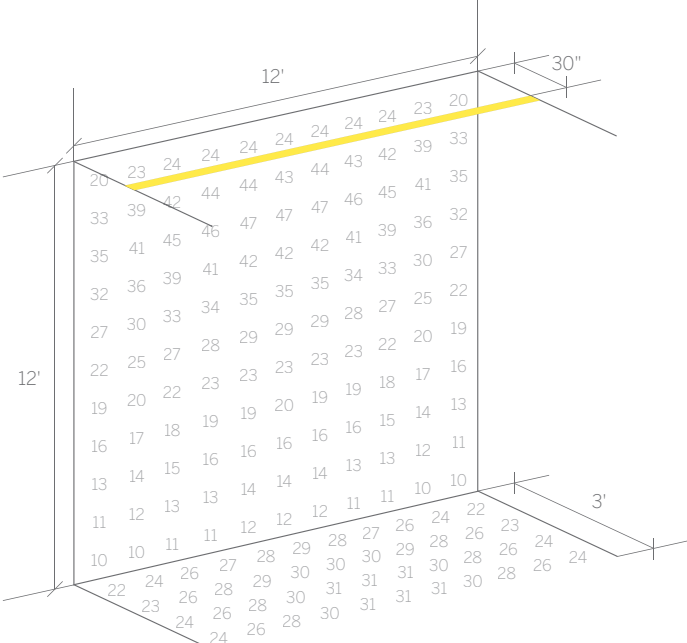
12' Ceiling, 12" Offset



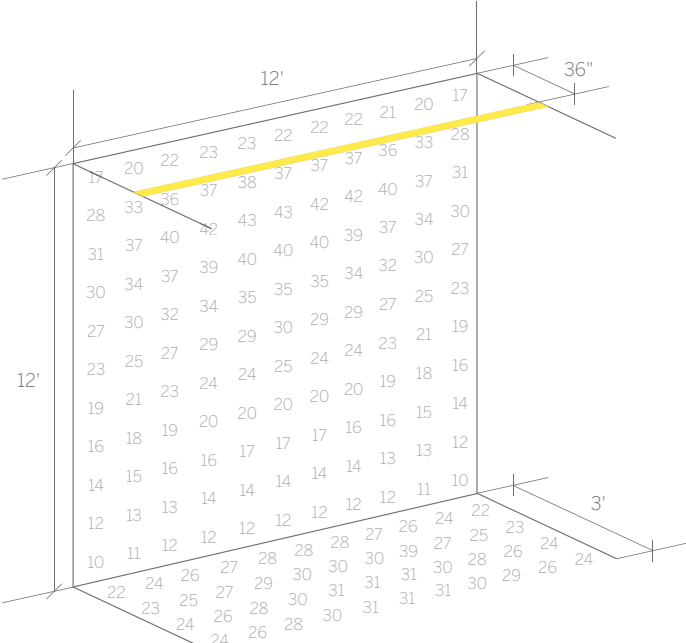
12' Ceiling, 24" Offset



12' Ceiling, 30" Offset



12' Ceiling, 36" Offset



Values in Foot Candles

Values in Foot Candles

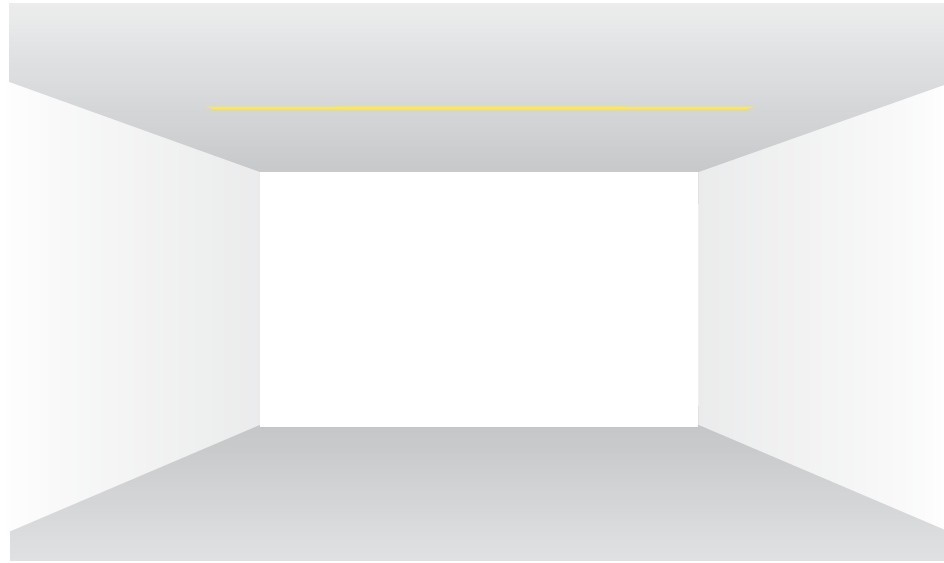
Calculated on the following basis:

Reflectances	Maintenance Factor	LED	Diffuser
Ceiling 70%	1.0	69lm/ft*	Satin Opal
Walls 50%		3000 Kelvin	
Floor 20%		90 CRI	

60 Linear Plaster Trim	60 Linear Bezel Trim	60 Linear Surface Mount
Product Details 184	Product Details 186	Product Details 188

20 Linear/60 Linear - Single Luminaire

WG 20LDL-RPT, WG 20LDL-RBT, WG 20LDL-SM, WG 20LRF, WG 20LUC-SM, WG 60LDL-RPT, WG 60LDL-RBT, WG 60LDL-SM, WG 60LDL-S



Plaster trim, bezel trim, surface mount and suspended luminaires with continuous even light along the entire lens.

Use for general area lighting in single units, grid patterns or groups, and continuous runs including horizontal and vertical corners.

Also, consider using at close offset from a wall or other feature surface to draw focus to it.

Refer to the diagram on the left, select your luminaire and read off the light level achieved in the table below.

Calculated on the following basis:

Reflectances

Ceiling 70%

Walls 50%

Floor 20%

Maintenance factor

1.0

LED

Medium Power

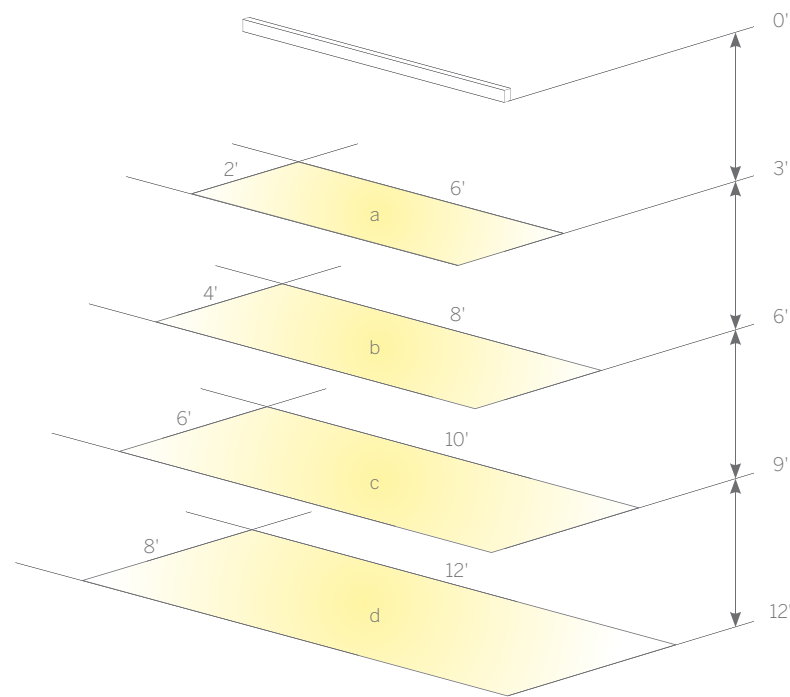
3000 Kelvin

90 CRI

Average light levels at set distances

The diagram shows the average light level achieved across an area of the size shown, at the given distance from the luminaire.

Length of fixture: 4 ft



Values in Foot Candles

Calculation Results

Luminaire Type	Accessory	Power	Average light levels (fc) at given distance from luminaire			
			a	b	c	d
WG 20LDL-RPT, WG 20LDL-RBT, WG 20LDL-SM, WG 20LUC-SM, WG 20LRF	Satin Opal	579lm/ft*	34	12	7	5
	Satin Clear	579lm/ft*	54	18	10	7
WG 60LDL-RPT, WG 60LDL-RBT, WG 60LDL-SM, WG 60LDL-S	Satin Opal	691lm/ft*	48	17	9	6
	Satin Clear	691lm/ft*	66	23	12	8

Values in Foot Candles

20 Linear All Mounting Options

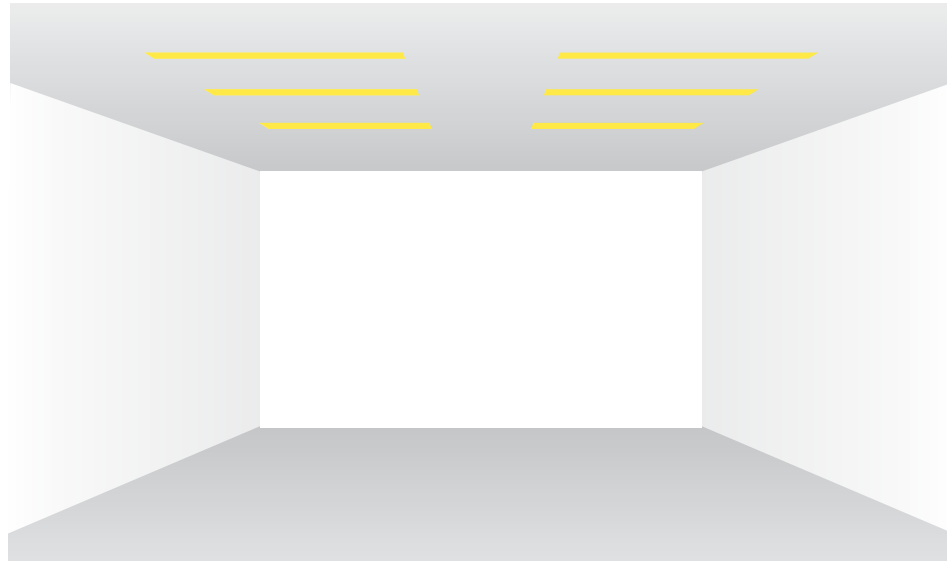
Product Details 120-139

60 Linear All Mounting Options

Product Details 184-191

20 Linear/60 Linear - Grid Set Out

WG 20LDL-RPT, WG 20LDL-RBT, WG 20LDL-SM, WG 20LUC-SM, WG 60LDL-RPT, WG 60LDL-RBT, WG 60LDL-SM, WG 60LDL-S



Surface mount, suspended, plaster trim and bezel trim luminaires available in any length with continuous even light along the entire lens.

Use for general area lighting in grid patterns or groups. Also, consider using at close offset from a wall or other feature surface to draw focus to it.

Refer to the diagram on the left, select your luminaire, ceiling height and set out, and read off the light level achieved in the table below.

Calculated in a 20'x20' room size and on the following basis:

Reflectances

Ceiling 70%
Walls 50%
Floor 20%

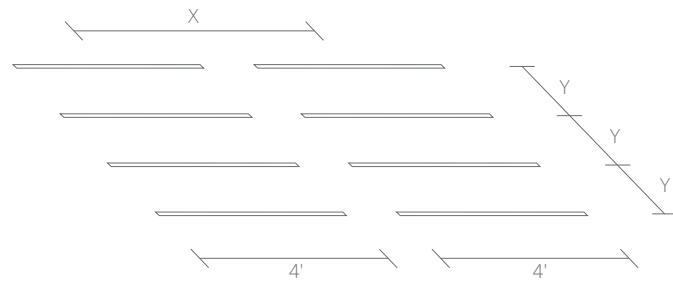
Maintenance factor

1.0

LED

Medium Power
3000 Kelvin
90 CRI

Average light levels at set spacing



The diagram and table can be read to establish light levels achieved when luminaires are set out at the dimensions indicated, at the ceiling heights shown.

20LDL Satin Clear 579lm/ft*
60LDL Satin Clear 691lm/ft*

X = luminaire spacing center to center
4.0' spacing = continuous luminaire
Y = distance between rows

Calculation Results

Luminaire Type	Accessory	Ceiling Height	Y	X Average Light Levels (fc)			
				4.0'	6.0'	8.0'	10.0'
WG 20LDL-RPT, WG 20LDL-RBT, WG 20LDL-SM, WG 20LUC-S	Satin Clear	9.0'	4.0'	45	42	39	36
			6.0'	38	35	32	30
			8.0'	29	27	25	23
			10.0'	22	20	19	18
	12.0'	4.0'	35	34	31	30	
		6.0'	30	29	27	25	
		8.0'	23	21	21	19	
		10.0'	18	17	16	15	
WG 60LDL-RPT, WG 60LDL-RBT, WG 60LDL-SM, WG 60LDL-S	Satin Clear	9.0'	4.0'	34	31	29	27
			6.0'	28	26	24	22
			8.0'	21	20	18	17
			10.0'	17	15	14	13
	12.0'	4.0'	26	25	24	22	
		6.0'	23	21	20	19	
		8.0'	17	16	15	14	
		10.0'	13	12	12	11	

Values in Foot Candles

**20 Linear
All Trim Options**

Product Details 120-139

**60 Linear
All Trim Options**

Product Details 184-191