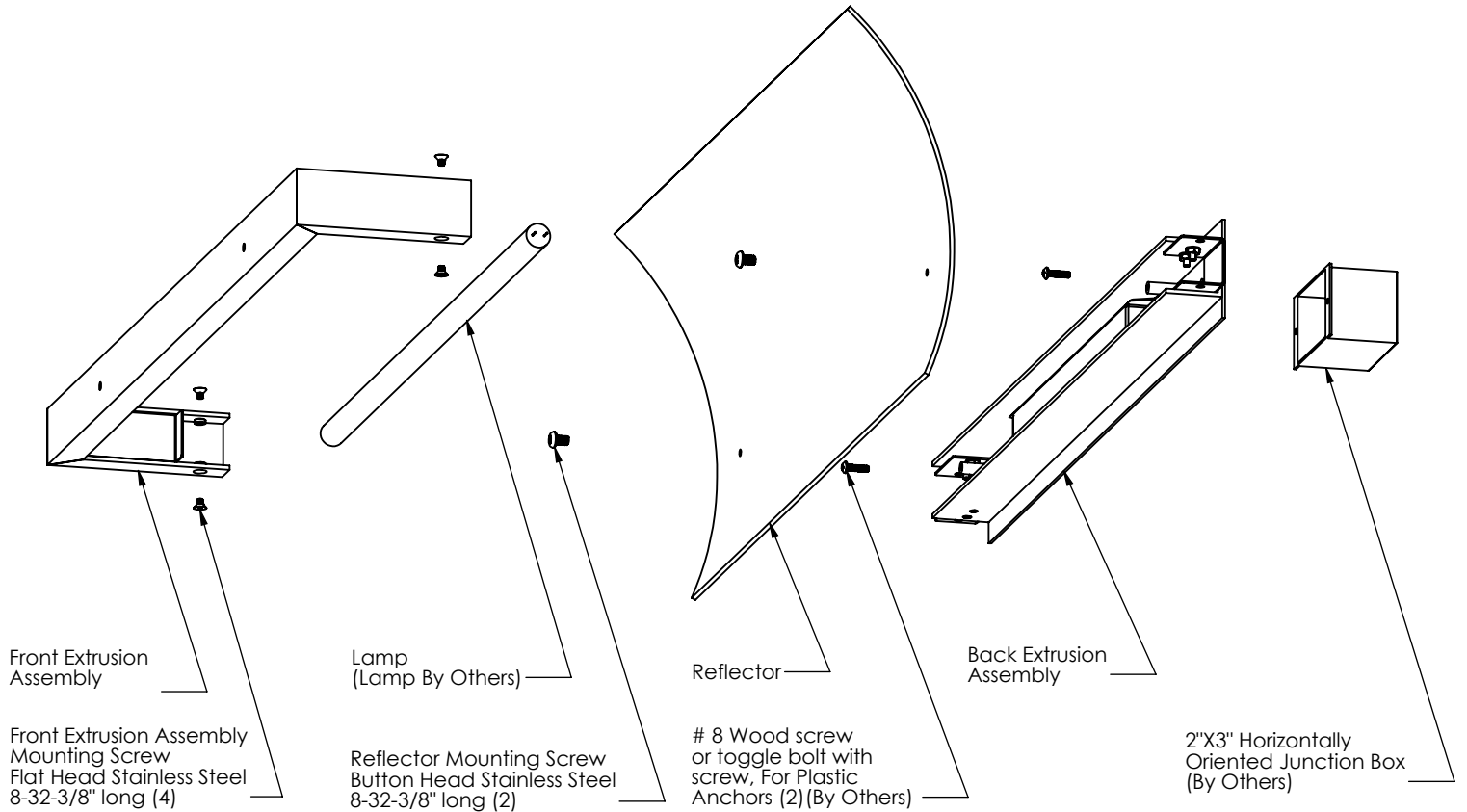


WING - WR Installation Instructions

TECHNICAL SHEET



Installation Instructions:

1. Disassemble front extrusion assembly from back extrusion assembly. Do not disconnect wires.
2. Bring power feed through 5/8" dia. hole on the back extrusion assembly.
3. Secure Back extrusion assembly using # 8 Wood screw or toggle bolt with screw, For Plastic Anchors, (Screws, Plastic Anchors and Junction box - By Others).
4. Splice.
5. Secure front extrusion assembly to the back extrusion assembly using front extrusion mounting screws provided.
6. Secure reflector on to the back extrusion assembly using reflector mounting screws provided.
7. Install Lamp, (Lamp By Others).
8. Energize.

NOTE:

- * TURN POWER OFF BEFORE BEGINNING.
- * DO NOT CONNECT TO AN UNGROUNDED SUPPLY.
- * CONSULT A QUALIFIED ELECTRICIAN TO ENSURE CORRECT BRANCH CIRCUIT CONDUCTOR.
- * THIS PRODUCT MUST BE INSTALLED IN ACCORDANCE WITH THE APPLICABLE INSTALLATION CODE BY A PERSON FAMILIAR WITH THE CONSTRUCTION AND OPERATION OF THE PRODUCT AND THE HAZARDS INVOLVED.
- * CE PRODUCT DOIT ETRE INSTALLE SELON LE CODE D'INSTALLATION PERTINENT. PAR UNE PERSONNE QUI CONNAIT BIEN LE PRODUCT ET SON FONCTIONNEMENT ANISE QUE LES RISQUE INHERENT.
- * SAVE THESE INSTRUCTIONS.

1820	W	41	NA	19	26	U	
Series	Style	Lamp	Diffuser	Finish	Length	Voltage	Options

W-Wall	41 - 1 x 24 Watt HO / G5	NA	19 - Painted Anodized Aluminum 20 - Painted Silver 21 - Painted White 22 - Painted Custom Color	26"	U120-277 V 1 120 V 2 220-240 V 3 277 V	DM- Specify Dimming Ballast Consult The Factory EM- Fluorescent Emergency, Battery - Remote
--------	--------------------------	----	--	-----	---	--

Other _____

inter•lux

