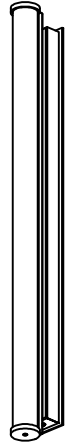
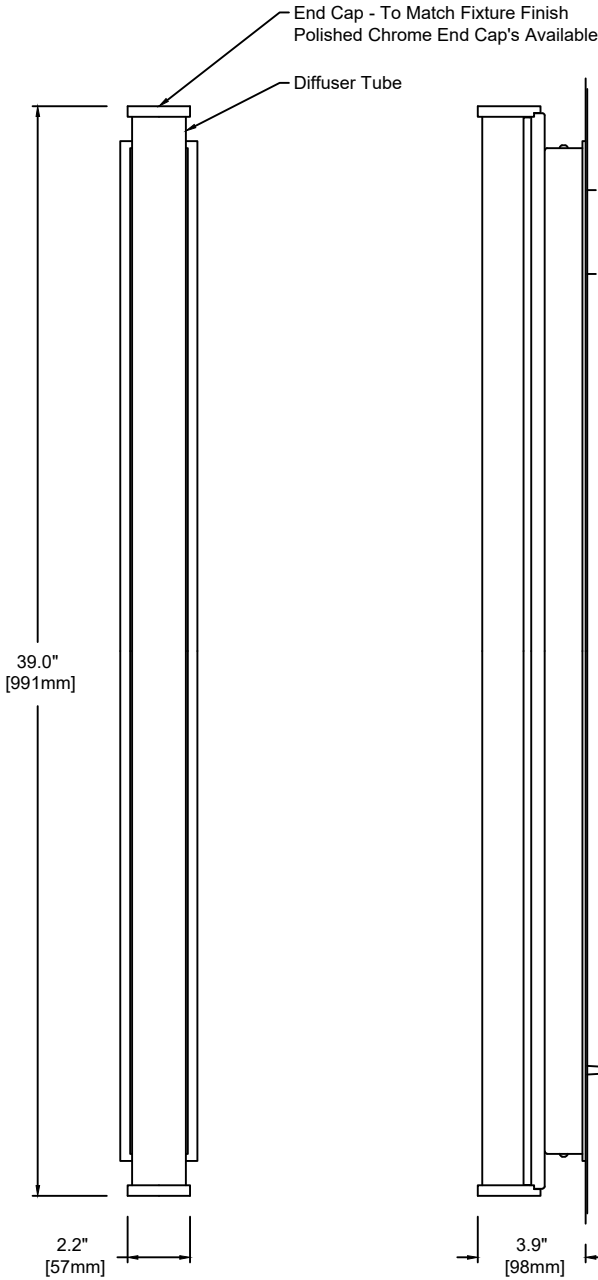
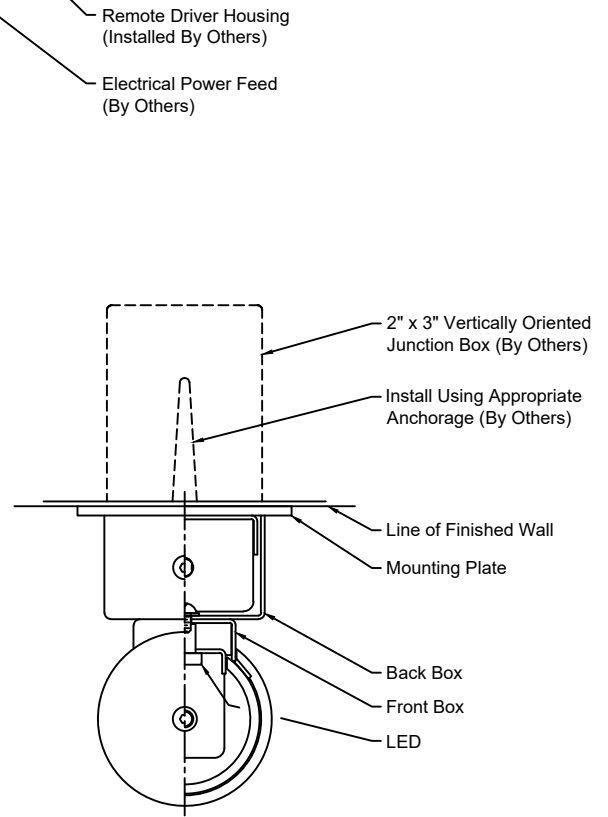


Sigma - Outdoor

TECHNICAL SHEET



PERSPECTIVE VIEW



Plan / Cross Section

Scale: N.T.S.

Wet Location
Fixture Weight : 14 lbs

| | | | | | | | | | |
|--------|----------|------|---------|--|-----------------------------------|-------------------------------------|--------------------------|---|----------------------|
| 1740WL | W | 39 | M | 830 | U | S | SA | 19 | - |
| Model | Type | Size | Wattage | Color Temp | Voltage | Control | Diffuser | Finish | Options |
| | W - Wall | 39" | M | 830 - 3,000K 835 - 3,500K 840 - 4,000K | 1 - 120 VAC only U - 120/277 V | S D010 DFPN L3DAE L3D0E | SA - Satin Clear Acrylic | 19 - Painted Anodized Aluminum - RAL 9006 Matte 21 - Painted White - RAL 9010 Matte 22 - Painted Custom Color | EC - Chrome End Caps |

Wattage and Control

Control (Remote 24V):
S - Non-Dim
D010 - 0-10V 10%
DFPN - Lutron Forward Phase 1%, 120VAC
L3DAE - Lutron Hi-Lume 1% EcoSystem
L3D0E - Lutron Hi-Lume Premier 0.1% EcoSystem

Wattage "M" - 14 Watt
3,000K - 1,125 lm
3,500K - 1,215 lm
4,000K - 1,260 lm

Technical Data:
Form - linear (tape), Operating voltage: 24VDC
Color rendering index Ra min: 80 CRI
Viewing angle: 120°
Lifetime - L70: 50,000h
IP67 rated for outdoor use
Working temperature: -20°C to 50°C (-4°F to 122°F)

Remote Drivers:
Max. wiring distance / Load

| | Osram | | | Lutron | |
|------------|-------|------|------|--------|------|
| Wire Gauge | ≤48W | ≤72W | ≤96W | ≤40W | ≤96W |
| #18AWG | 37' | 25' | 18' | 15' | 25' |
| #16AWG | 59' | 39' | 29' | 25' | 40' |
| #14AWG | 95' | 63' | 47' | 40' | 60' |

