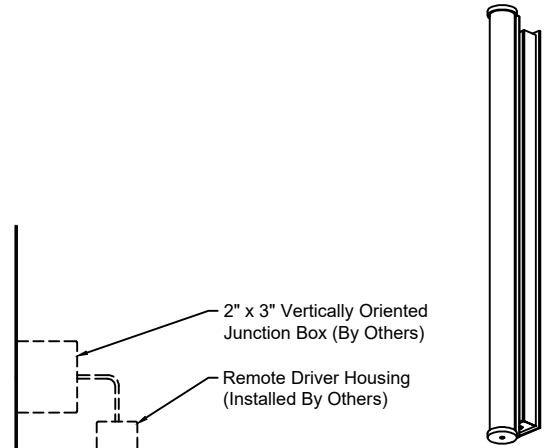
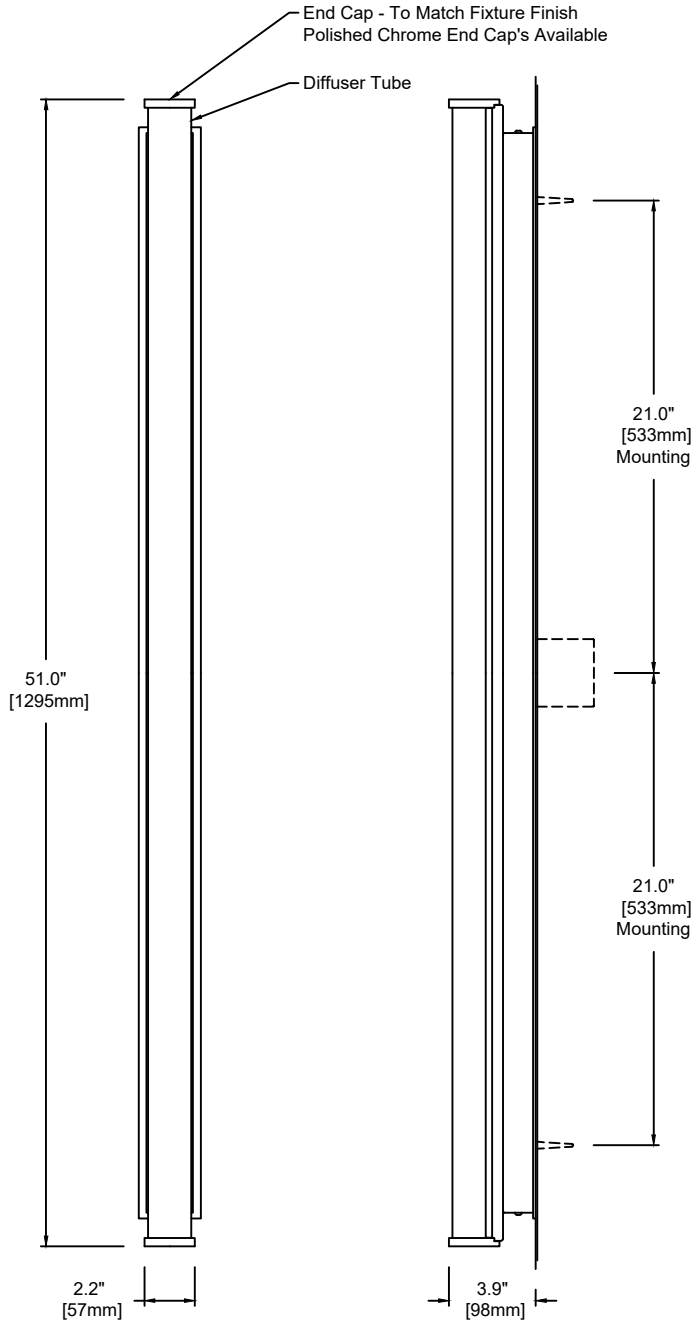
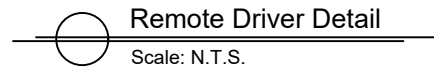


# Sigma - Indoor

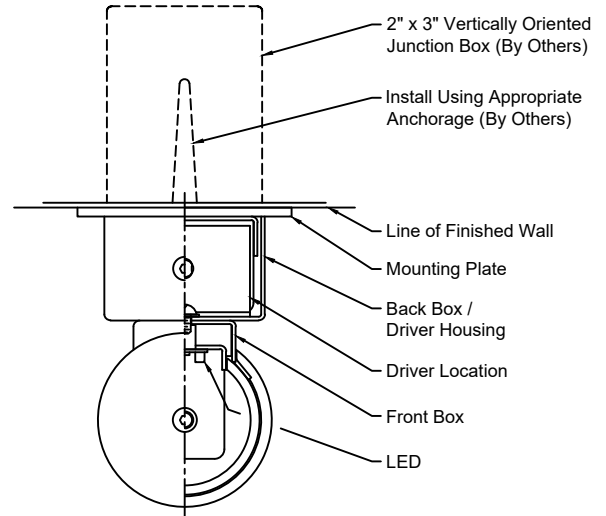
## TECHNICAL SHEET



**PERSPECTIVE VIEW**



**Note - Remote Driver:**  
L3D0E - Lutron Hi-Lume  
Premier 0.1% EcoSystem - Only



**Plan / Cross Section**  
Scale: N.T.S.

**Fixture Weight : 20 lbs**

1740	W	51	M	830	U	S	SA	19	-
<b>Model</b>	<b>Type</b>	<b>Size</b>	<b>Wattage</b>	<b>Color Temp</b>	<b>Voltage</b>	<b>Control</b>	<b>Diffuser</b>	<b>Finish</b>	<b>Options</b>
	W - Wall	51"	L M H	827 - 2,700K 830 - 3,000K 835 - 3,500K 840 - 4,000K	1 - 120 VAC only U - 120/277 V	S D010 DFPN L3DAE L3D0E	SA - Satin Clear Acrylic	19 - Painted Anodized Aluminum - RAL 9006 Matte 21 - Painted White - RAL 9010 Matte 22 - Painted Custom Color	EC - Chrome End Caps

**Wattage and Control**

Control (Integral):  
S - Non-Dim  
D010 - 0-10V 10%  
DFPN - Lutron Forward Phase 1%, 120VAC  
L3DAE - Lutron Hi-Lume 1% EcoSystem

Wattage "L" - 12 Watt  
2,700K - 1,600 lm  
3,000K - 1,600 lm  
3,500K - 1,664 lm  
4,000K - 1,696 lm

Wattage "H" - 40 Watt  
2,700K - 4,696 lm  
3,000K - 4,696 lm  
3,500K - 4,888 lm  
4,000K - 4,984 lm

Remote Driver:  
Max. wiring distance / Load  
Lutron  
Wire Gauge ≤96W  
#18AWG 25'  
#16AWG 40'  
#14AWG 60'

Control (Remote 24V):  
L3D0E - Lutron Hi-Lume Premier 0.1% EcoSystem

Wattage "M" - 24 Watt  
2,700K - 2,972 lm  
3,000K - 2,972 lm  
3,500K - 3,096 lm  
4,000K - 3,156 lm

Technical Data:  
Form - linear, Operating voltage: 24VDC  
Color rendering index Ra min: 82 CRI, Available in 90 CRI  
Viewing angle: 110°  
Lifetime - L70: 60,000h  
Working temperature: -20°C to 60°C (-4°F to 140°F)

