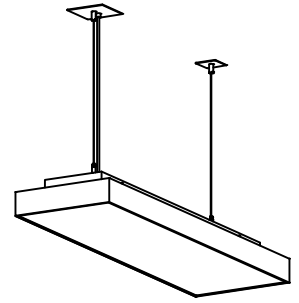
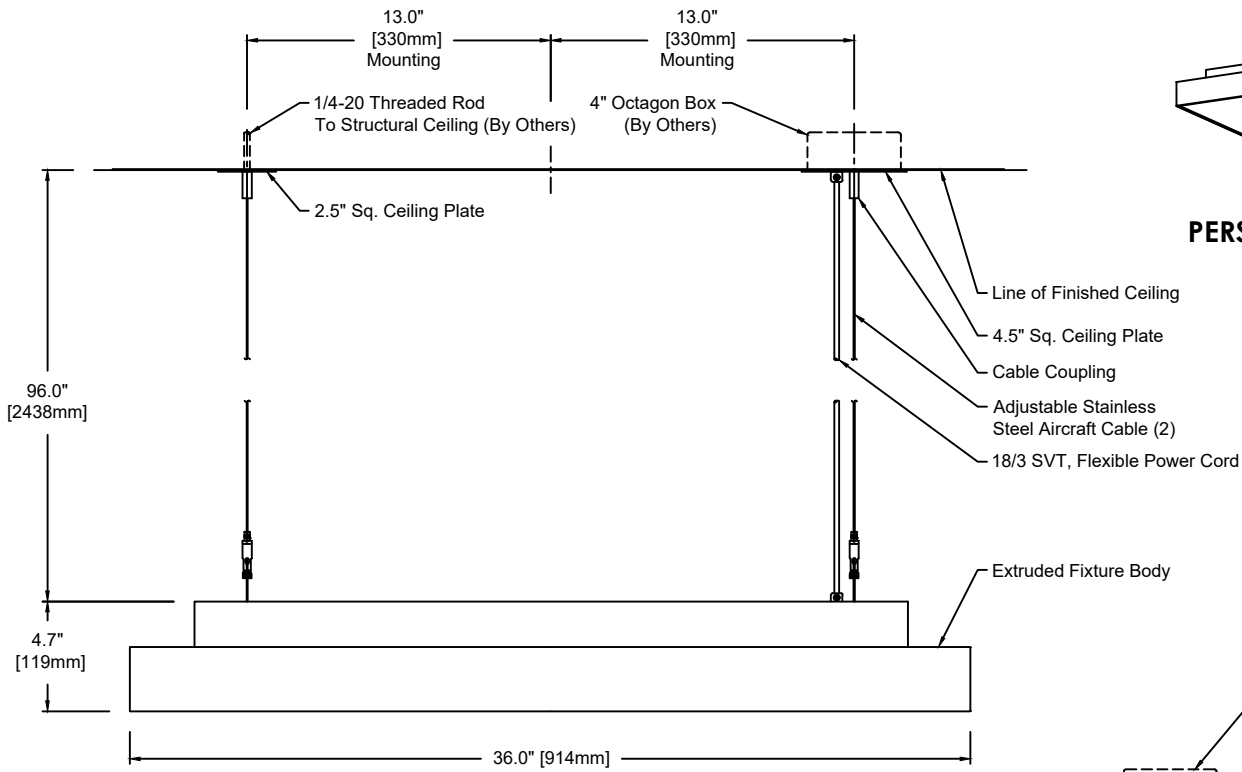
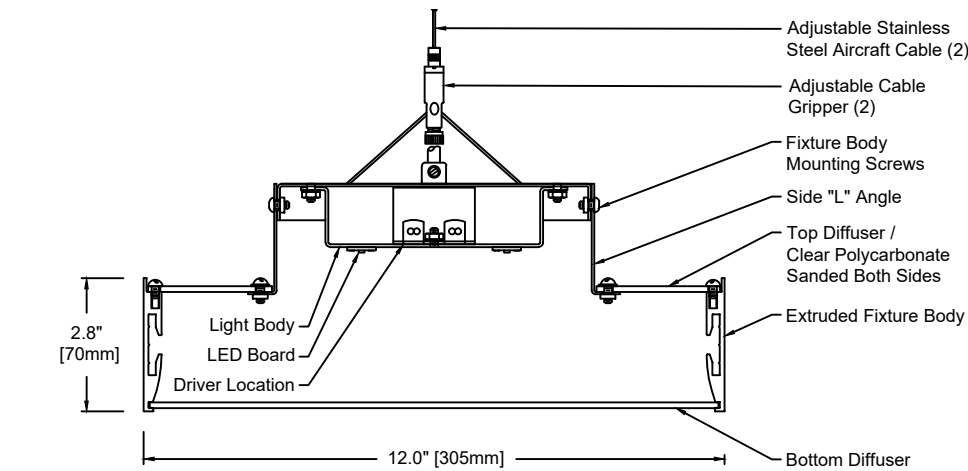


# Step RC

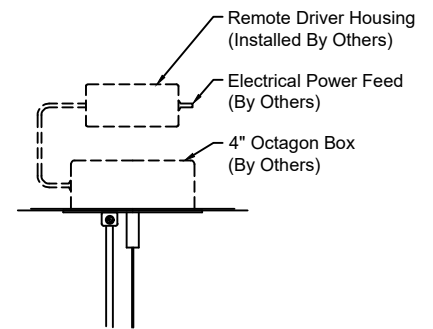
## TECHNICAL SHEET



**PERSPECTIVE VIEW**



**Body / Cross Section**  
Scale: N.T.S.



**Remote Driver Detail:**  
Scale: N.T.S.

**Note - Remote Driver:**  
L3D0E - Lutron Hi-Lume  
Premier 0.1% EcoSystem - Only

Drawing 1 of 2

Fixture Weight : 18 lbs

1541	P	36	M	830	U	S	SW	16	CC
Model	Type	Size	Wattage	Color Temp	Voltage	Control	Diffuser	Finish	Options
	P - Pendant	36"	L M	827 - 2,700K 830 - 3,000K 835 - 3,500K 840 - 4,000K	1 - 120 VAC only U - 120/277 V	S D010 DFPN L3DAE L3D0E	SW - Satin Opal Acrylic	16 - Clear Anodized Aluminum 21 - Painted White - RAL 9010 Matte 22 - Painted Custom Color	CC - Clear Insulated Cable (Standard) WC - White Cable BC - Black Cable

**Wattage and Control**

Control (Integral):  
S - Non-Dim  
D010 - 0-10V 10%  
DFPN - Lutron Forward Phase 1%, 120VAC  
L3DAE - Lutron Hi-Lume 1% EcoSystem

Wattage "L" - 14 Watt  
2,700K - 1,867 lm  
3,000K - 1,867 lm  
3,500K - 1,941 lm  
4,000K - 1,979 lm

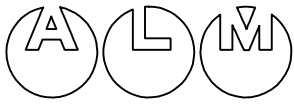
Technical Data:  
Form - linear, Operating voltage: 24VDC  
Color rendering index Ra min: 82 CRI, Available in 90 CRI  
Viewing angle: 110°  
Lifetime - L70: 60,000h  
Working temperature: -20°C to 60°C (-4°F to 140°F)

Remote Driver:  
Max. wiring distance / Load  
Lutron  
Wire Gauge ≤96W  
#18AWG 25'  
#16AWG 40'  
#14AWG 60'

Control (Remote 24V):  
L3D0E - Lutron Hi-Lume Premier 0.1% EcoSystem

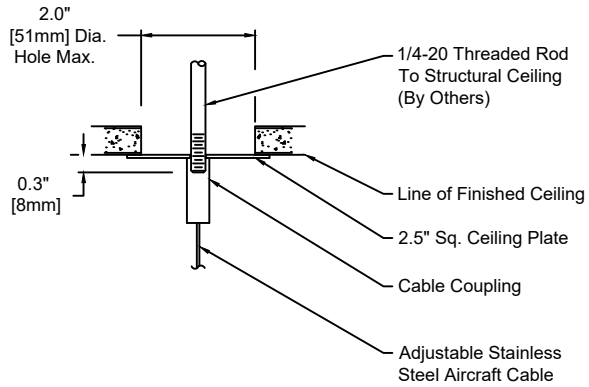
Wattage "M" - 28 Watt  
2,700K - 3,467 lm  
3,000K - 3,467 lm  
3,500K - 3,612 lm  
4,000K - 3,682 lm



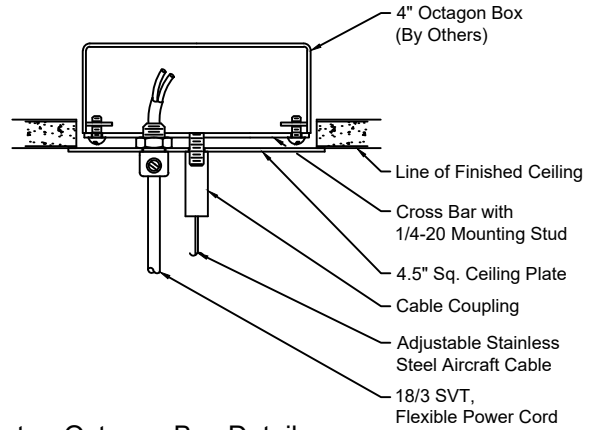


# Step RC

## TECHNICAL SHEET

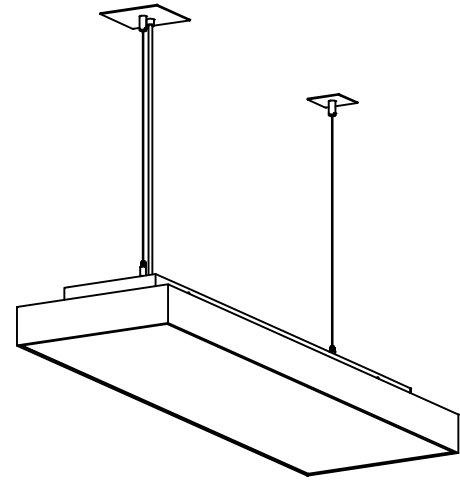
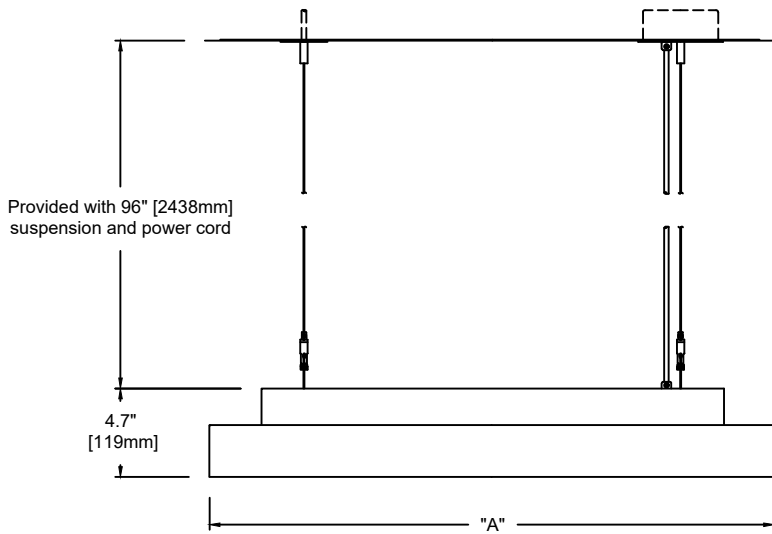


**Ceiling Plate Detail - Typ.**  
Scale: N.T.S.



**Ceiling Plate - Octagon Box Detail**  
Scale: N.T.S.

**Ceiling Plate finish:**  
 - Ceiling Plate finish matches housing  
 - For Clear Anodized Aluminum housing, ceiling plate finish will be Painted Anodized Aluminum



Drawing 2 of 2

Series: 1541

Remote Driver:	
Max. wiring distance / Load	
Wire Gauge	Lutron
#18AWG	25'
#16AWG	40'
#14AWG	60'

