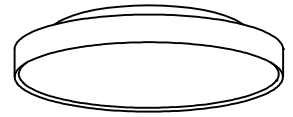


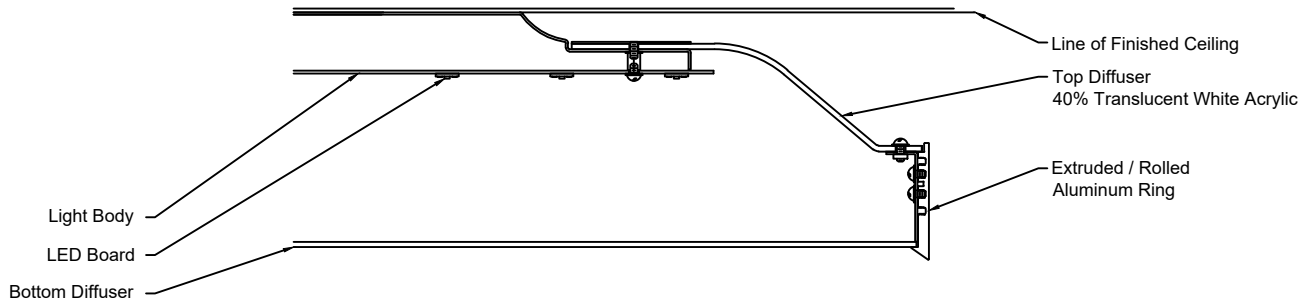
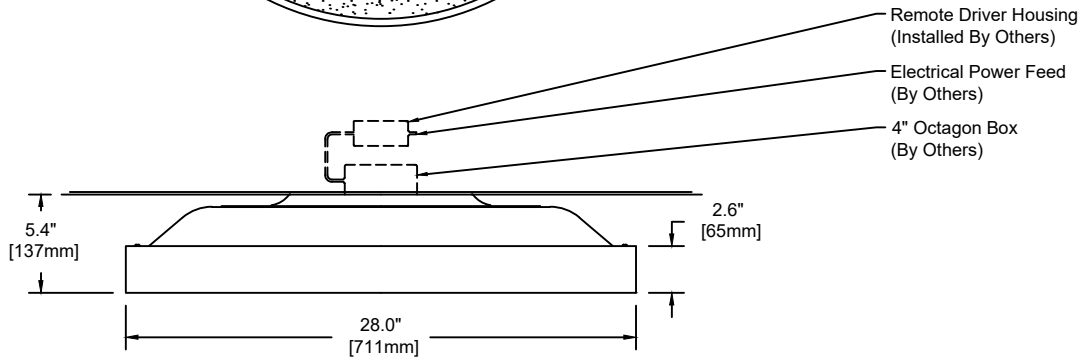
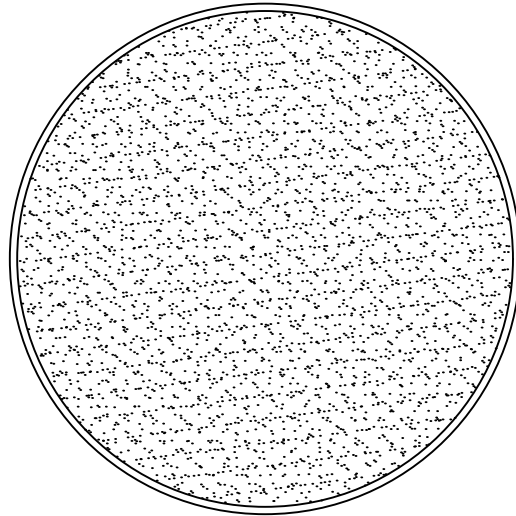


TECHNICAL SHEET

# Puck



PERSPECTIVE VIEW



Body / Cross Section  
 Scale: N.T.S.

Fixture Weight : 15 lbs

1500	C	28	M	830	U	S	SW	19
Model	Type	Size	Wattage	Color Temp	Voltage	Control	Diffuser	Finish
C - Ceiling	28"	L M	827 - 2,700K 830 - 3,000K 835 - 3,500K 840 - 4,000K	1 - 120 VAC only U - 120/277 V	S D010 DFPN L3DAE L3D0E	SW - Satin Opal Acrylic	19 - Painted Anodized Aluminum - RAL 9006 Matte 21 - Painted White - RAL 9010 Matte 26 - Painted Black - RAL 9005 Matte 22 - Painted Custom Color	

Wattage and Control

Control (Remote 24V):  
 S - Non-Dim  
 D010 - 0-10V 10%  
 DFPN - Lutron Forward Phase 1%, 120VAC  
 L3DAE - Lutron Hi-Lume 1% EcoSystem  
 L3D0E - Lutron Hi-Lume Premier 0.1% EcoSystem

Wattage "L" - 29 Watt  
 2,700K - 3,800 lm  
 3,000K - 3,800 lm  
 3,500K - 3,952 lm  
 4,000K - 4,028 lm

Wattage "M" - 57 Watt  
 2,700K - 7,059 lm  
 3,000K - 7,059 lm  
 3,500K - 7,353 lm  
 4,000K - 7,496 lm

Technical Data:  
 Form - linear, Operating voltage: 24VDC  
 Color rendering index Ra min: 82 CRI, Available in 90 CRI  
 Viewing angle: 110°  
 Lifetime - L70: 60,000h  
 Working temperature: -20°C to 60°C (-4°F to 140°F)

Remote Drivers:  
 Max. wiring distance / Load

Wire Gauge	Osram ≤48W	Osram ≤72W	Lutron ≤96W	Lutron ≤40W	Lutron ≤96W
#18AWG	37'	25'	18'	15'	25'
#16AWG	59'	39'	29'	25'	40'
#14AWG	95'	63'	47'	40'	60'

