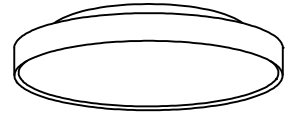
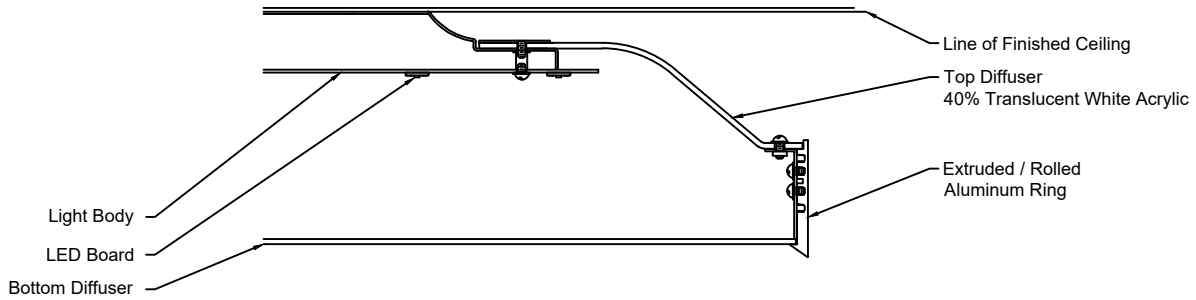
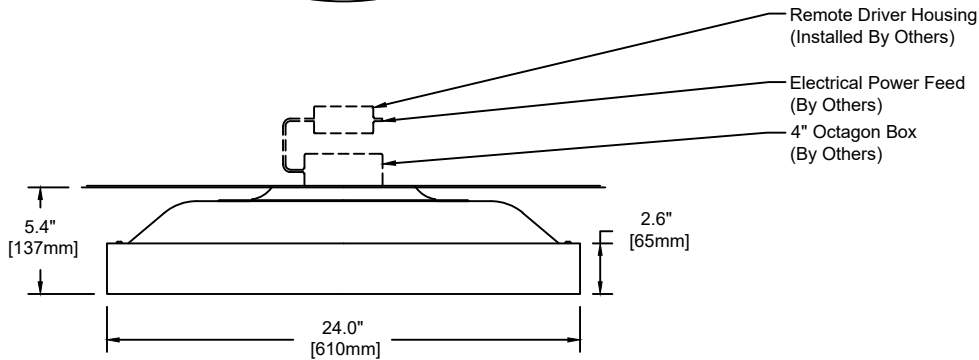
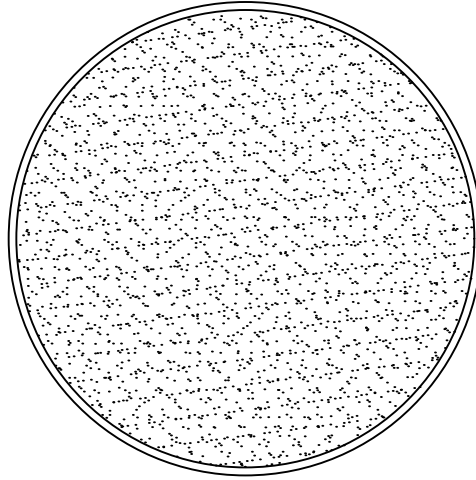


TECHNICAL SHEET

# Puck



PERSPECTIVE VIEW



Body / Cross Section  
 Scale: N.T.S.

Fixture Weight : 12 lbs

| 1500        | C    | 24     | M  | 830                               | U                                   | S                       | SW   | 19     |
|-------------|------|--------|--|-----------------------------------|-------------------------------------|-------------------------|--|--------|
| Model       | Type | Size   | Wattage  | Color Temp                        | Voltage                             | Control                 | Diffuser   | Finish |
| C - Ceiling | 24"  | L<br>M | 827 - 2,700K<br>830 - 3,000K<br>835 - 3,500K<br>840 - 4,000K | 1 - 120 VAC only<br>U - 120/277 V | S<br>D010<br>DFPN<br>L3DAE<br>L3D0E | SW - Satin Opal Acrylic | 19 - Painted Anodized Aluminum - RAL 9006 Matte<br>21 - Painted White - RAL 9010 Matte<br>26 - Painted Black - RAL 9005 Matte<br>22 - Painted Custom Color |        |

Wattage and Control

Control (Remote 24V):  
 S - Non-Dim  
 D010 - 0-10V 10%  
 DFPN - Lutron Forward Phase 1%, 120VAC  
 L3DAE - Lutron Hi-Lume 1% EcoSystem  
 L3D0E - Lutron Hi-Lume Premier 0.1% EcoSystem

Wattage "L" - 17 Watt  
 2,700K - 2,220 lm  
 3,000K - 2,220 lm  
 3,500K - 2,288 lm  
 4,000K - 2,332 lm

Wattage "M" - 33 Watt  
 2,700K - 4,087 lm  
 3,000K - 4,087 lm  
 3,500K - 4,257 lm  
 4,000K - 4,340 lm

Technical Data:  
 Form - linear, Operating voltage: 24VDC  
 Color rendering index Ra min: 82 CRI, Available in 90 CRI  
 Viewing angle: 110°  
 Lifetime - L70: 60,000h  
 Working temperature: -20°C to 60°C (-4°F to 140°F)

Remote Drivers:  
 Max. wiring distance / Load

|            | Osram |      | Lutron |      |      |
|------------|-------|------|--------|------|------|
| Wire Gauge | ≤48W  | ≤72W | ≤96W   | ≤40W | ≤96W |
| #18AWG     | 37'   | 25'  | 18'    | 15'  | 25'  |
| #16AWG     | 59'   | 39'  | 29'    | 25'  | 40'  |
| #14AWG     | 95'   | 63'  | 47'    | 40'  | 60'  |

