



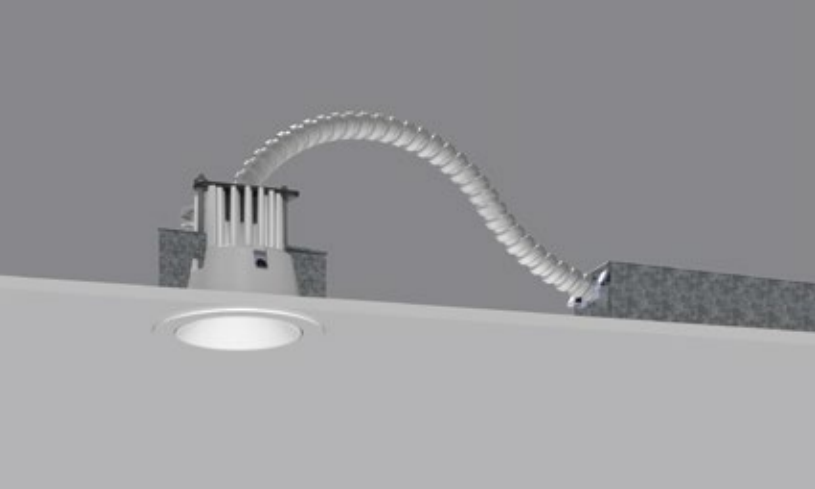
whitegoods



inter•lux

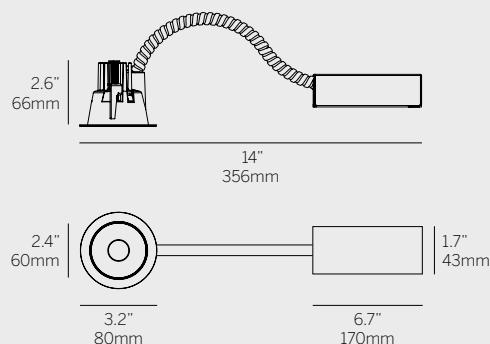
inter-lux.com/whitegoods

GDL



General Downlight Round Regressed Cone

- 2.4" small aperture, low brightness downlight for general illumination.
- 50 degree distribution.
- Suitable for interior or exterior use under canopy or in wet locations such as showers.
- Installation from below the ceiling for remodel and new construction.
- Integral driver requires 4.5" minimum ceiling clearance (void).
- Shallow (3.5") plenum option.
- White finish standard.
- IC and Chicago Plenum housings.
- Matching aperture Wallwash.



Ordering Information

Model	LED	Power	Voltage	Power Supply	Finish	Options
WG-GDL-R-RC						
WG-GDL-R-RC	CB-827 CB-830 CB-835 CB-840	L M H	UNV 120V	X S S010 D010 PEQ1 PEQ0 DFPN SPH	WH BL GR	CP IC SH WL

General Downlight

The Whitegoods General Downlight is a 2.4" aperture, high efficiency downlight for general illumination of corridors, conference rooms, kitchens, etc. GDL delivers high angle illumination with the flush lens version or low brightness with the regressed cone. Standard options include wet location and low ceiling clearance with integral, dimmable drivers.

LED

- 80+ CRI (Low/Medium/High Power)
- CB-827 = 2700K, 838/1233/1540lm
- CB-830 = 3000K, 901/1233/1540lm
- CB-835 = 3500K, 965/1311/1698lm
- CB-840 = 4000K, 965/1311/1698lm
- For 90+ CRI, specify CB-927, CB-930, etc. Approximately 15% less lumens than 80 CRI.

Power

- L = Low Power, 5.9W @ 350mA
- M = Mid Power, 8.6W @ 500mA
- H = High Power, 12.4W @ 700mA

Voltage

- UNV = 120-277V
- 120V = 120V (DFPN & Phase Only)

Power Supply

- X = No driver (for multiple fixtures fed from a single remote driver)

Integral Driver

- S = Standard non-dim driver, 120-277V
- S010 = Standard 0-10V ≥ 10% dimming, 120-277V
- SPH = Standard Phase Dimming, 120VAC

Remote Driver

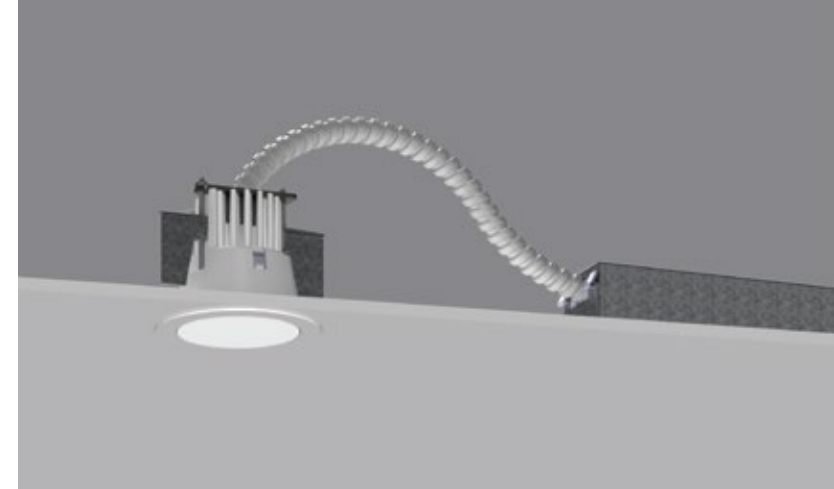
- D010 = EldoLED, 1%, 0-10V dimming, 120-277V
- PEQ1 = Lutron Hi-lume 1% EcoSystem
- PEQ0 = Lutron Hi-lume Premier 0.1% EcoSystem
- DFPN = Lutron Forward Phase 1% 120VAC

Finish (Trim / Cone)

- WH = White (standard)
- BL = Black
- GR = Gray

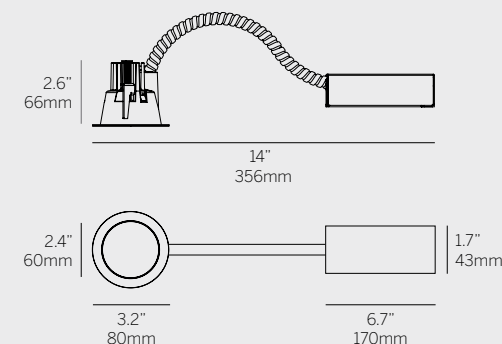
Options

- CP = Chicago Plenum Housing available, refer to specsheet.
- IC = Insulated Ceiling Housing available, refer to specsheet.
- SH = Reduces required plenum space to 3.5" (remote driver only).
- WL = Wet location



General Downlight Round Flush Diffuser

- 2.4" small aperture, flush lens downlight for high angle illumination.
- Perfect for corridors or lobbies.
- Suitable for interior or exterior use under canopy or in wet locations such as showers.
- Installation from below the ceiling for remodel and new construction.
- Integral driver requires 4.5" minimum ceiling clearance (void).
- Shallow (3.5") plenum option.
- White finish standard.
- IC and Chicago Plenum housings.



Ordering Information

Model	LED	Power	Voltage	Power Supply	Finish	Options
WG-GDL-R-FD						
WG-GDL-R-FD	CB-827 CB-830 CB-835 CB-840	L M H	UNV 120V	X S S010 D010 PEQ1 PEQ0 DFPN SPH	WH BL GR	CP IC SH WL