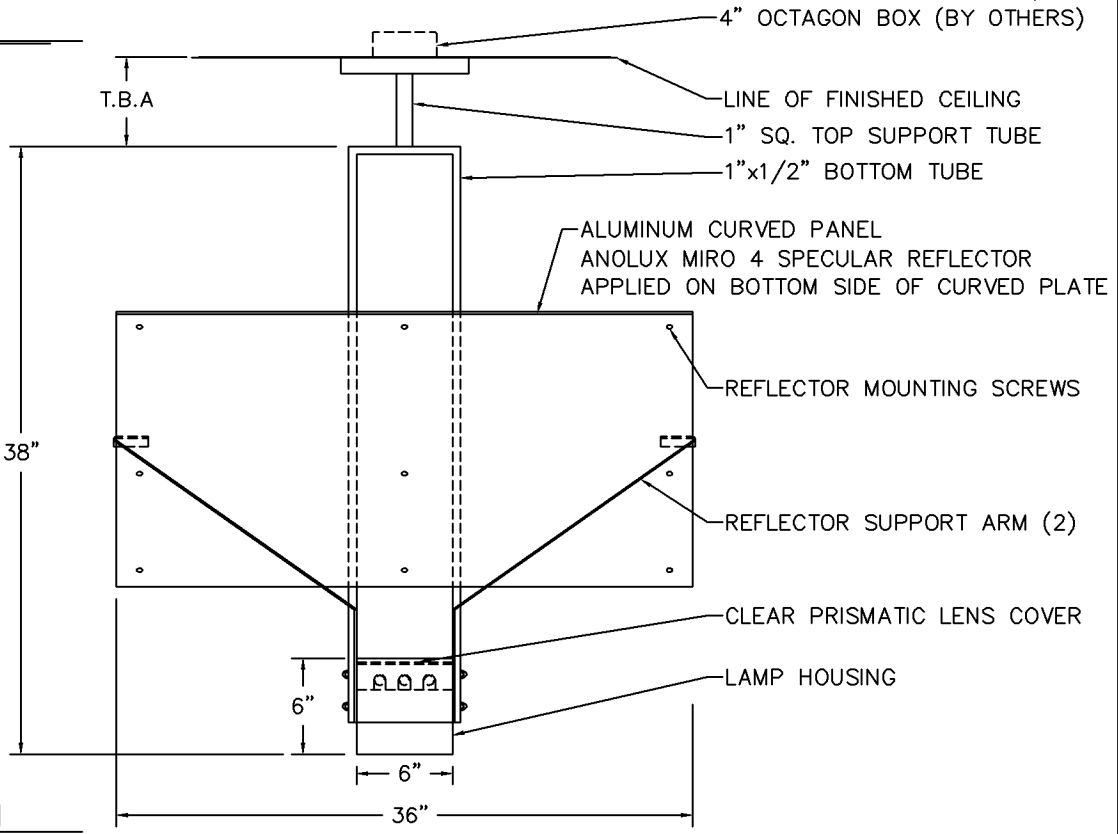


SIDE VIEW
SCALE: 1"=1'-0"

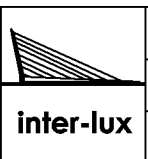


ELEVATION
SCALE: 1"=1'-0"

REVISION (1): 02.06.2006

Finish: POWDER COATED	Lamping: (3) 54 Watt HO (By Others)
Diffuser: WHITE ACRYLIC	Voltage: 120/277 Volt

9385-K Gerwig Lane
Columbia, MD
USA 21046
Phone 410.381.1497
www.inter-lux.com



Project: .	
Job No.: 1443	Fixture No.: 2325-P
Type: .	Qty.: (7)
Date: 10.13.2005	

